



Kent KSIC125—Shallow Invert Channel

The Kent Shallow Invert Channel (KSIC125) is a low cost and shallow channel. The lowest cost option is a 125mm wide channel with heelproof slotted grating. The channel has a shallow invert with minimum start depth of 40mm. This is ideal for use of balconies, car park decks, multi storey car parks and other areas where restricted depths occur.

The Shallow Invert Channel is fully manufactured from stainless steel and is available in grade 304 & 316L. It is supplied with fully welded end plates, 110mm outlet (trapped if required), levelling feet. A contractor joins length to length with a 'throat and collar' connection which is silicone sealed by the contractor. A guaranteed watertight 'flange and gasket' connection is available if this channel is to be used indoors.

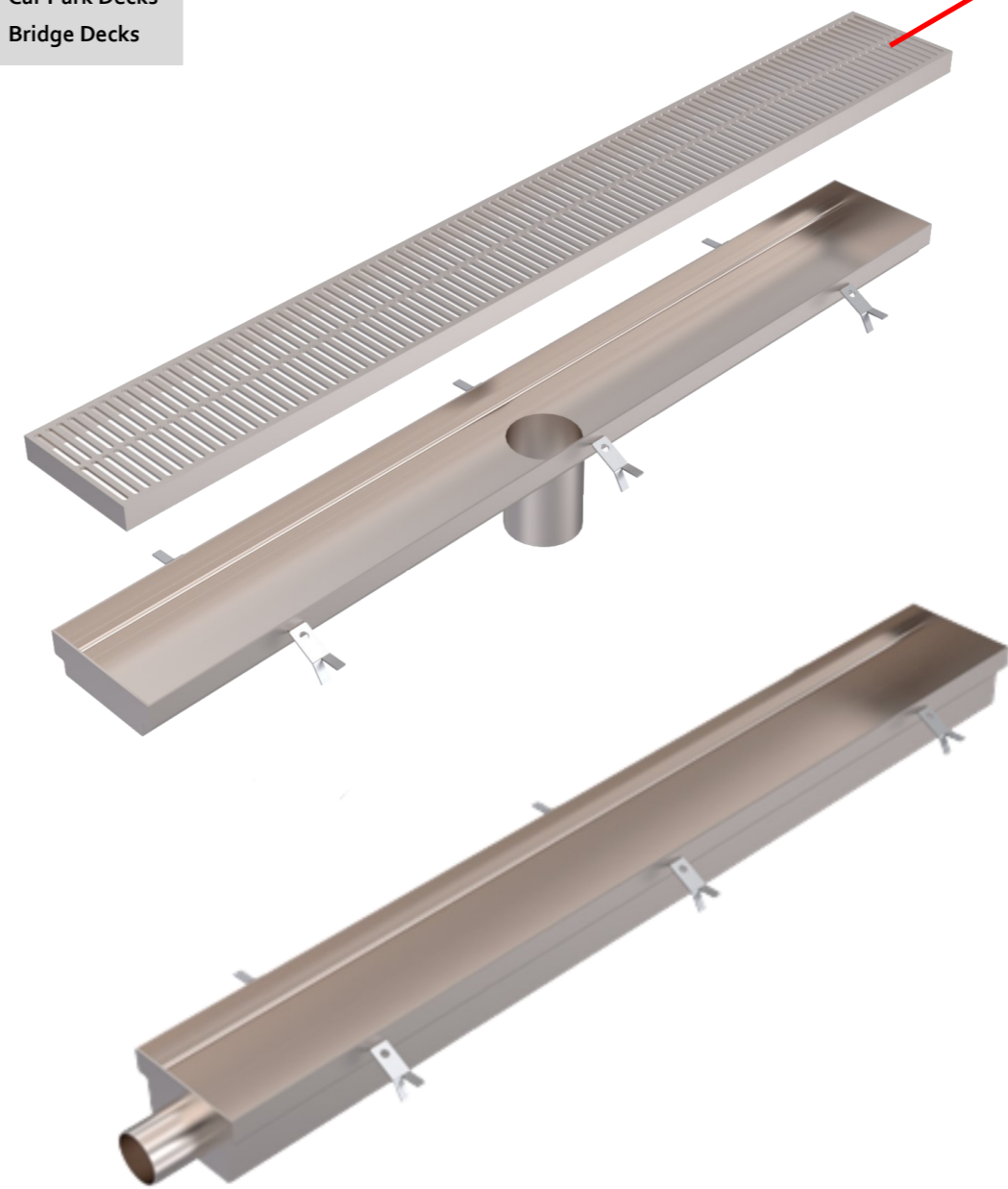
When using a horizontal outlet (50mm) the depth is 75mm.

Balconies and Bridge Decks most often require Pedestrian Load gratings. Car Park decks will need Heavy Duty Heelproof Slotted.

The Kent Shallow Invert Channel takes all 25mm deep gratings offered by Kent Stainless including wedge heelmesh, pedestrian heelmesh, heelproof slotted, double wedge heelmesh and perforated.

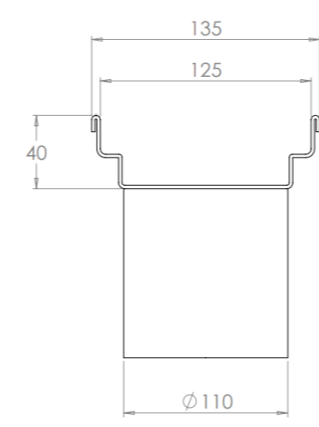
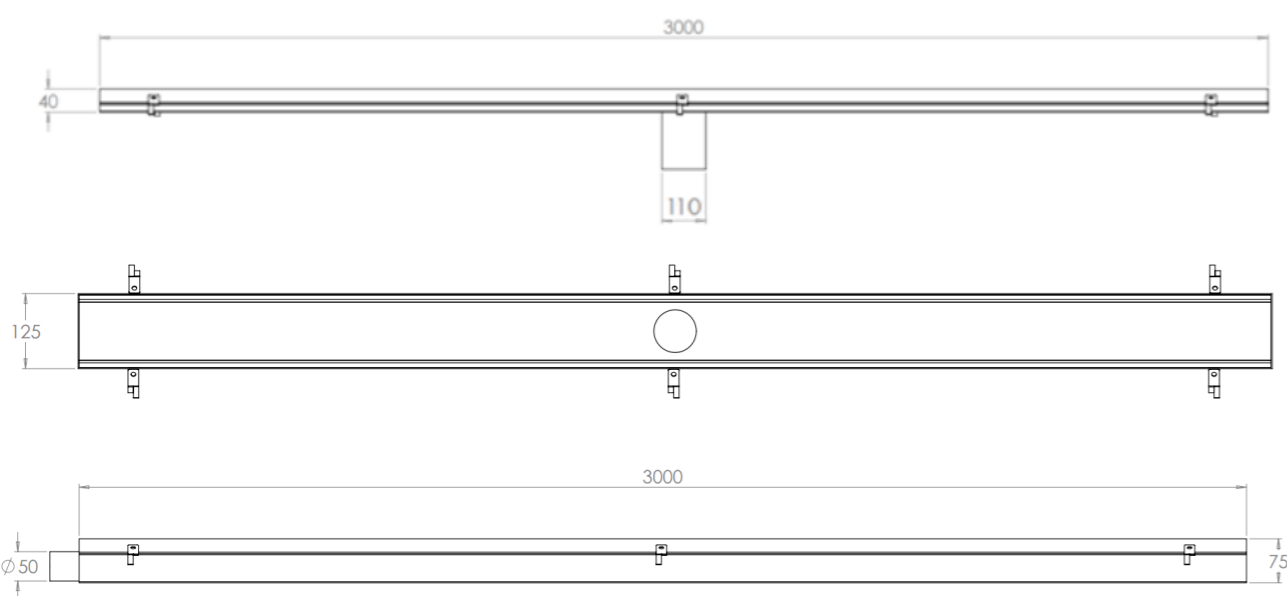
- Features:**
- Constant depth of 40mm
 - Short lead time
 - Compatible with all Kent Stainless civils gratings
 - Lock down option available
 - Untrapped

- Applications/Industries**
- ◇ Balconies
 - ◇ Car Park Decks
 - ◇ Bridge Decks



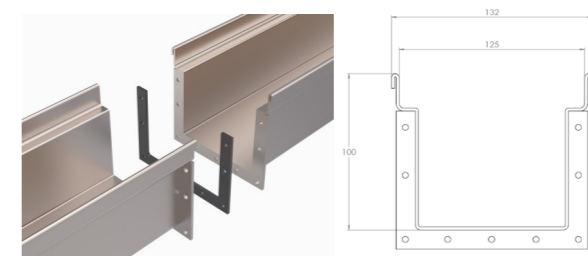
GRATING OPTIONS

- PEDESTRIAN LOADING**
- Wedge Heelmesh
 - Pedestrian Heelmesh
- TRAFFIC LOADING**
- Heelproof Slotted
 - Double Wedge Heelmesh
- PEDESTRIAN & TRAFFIC LOADING**
- Perforated



Product Code	Depth	Width	Outlet
KSIC125/KV110	40mm	125mm	110mm
KSIC125/KH50	75mm	150mm	50mm

Specify: Kent KSIC125/KV110—Shallow Invert Channel; to take 125mm wide grating; Grade 304 Stainless Steel; Grating will be Kent Heelproof Slotted Grating Type; Load Class A



Flange and Gasket Connection available as option

BS EN1433 Loading Class A15 / B125 / C250 / D400

Our external channels can be subjected to very heavy loads but must have the correct heavy duty grating to achieve these loads.