

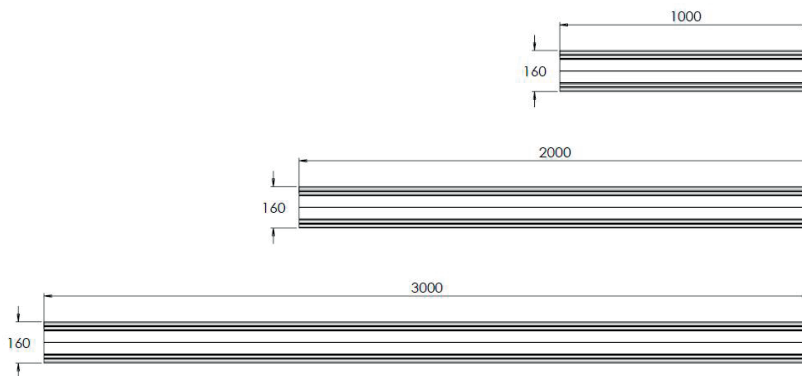
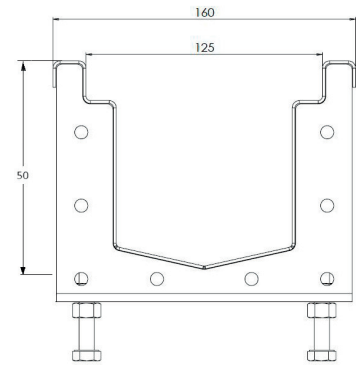
## KENT COMMERCIAL CHANNEL RANGE - STANDARD CHANNEL

A low cost Stainless Steel Drainage Channel for all floor finishes. In grade 304 stainless as standard, size can be customised to suit projects. Typically used in Leisure Centres with Perforated or Heelmesh grating. Other decorative grating covers are also available. A variety of grates suitable for heel safe and barefoot are readily available.

Suits Marble, Ceramic Tiles, Terrazzo, Concrete, Resin, Wood & Parquet Flooring. The trapped 110mm bottom outlet gives a 1.4 litre per second flow rate.

### Features

- 125mm wide Body as standard
- 160mm Outside Edge to Outside Edge
- Trapped 110mm spigot outlet as standard
- Shallow 50mm start depth
- Concrete ties as standard
- Levelling Bolts as standard
- Polished top edge
- Variety of decorative gratings available
- Made to length – reduced joints
- Short lead times



Product Code	Opening Width	Depth	Outside Edge Width
KCRC125	125mm	50mm	160mm

### Applications

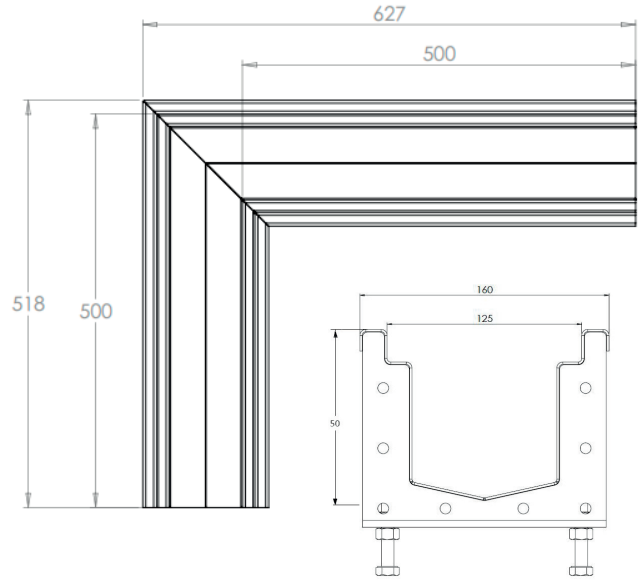
- Pools
- Gyms
- Leisure Centres

**Specify: Kent Commercial Range Channel KCRC125 ; 125mm wide;     mm length with Central Trapped Spigot outlet; Grade 304 Stainless steel; Grating will be Kent Commercial Perforated Grating Type; Load Class A**

(amend underlined words to suit project)

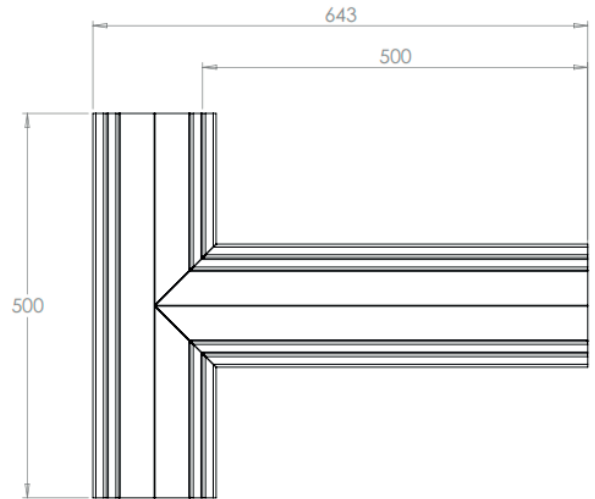
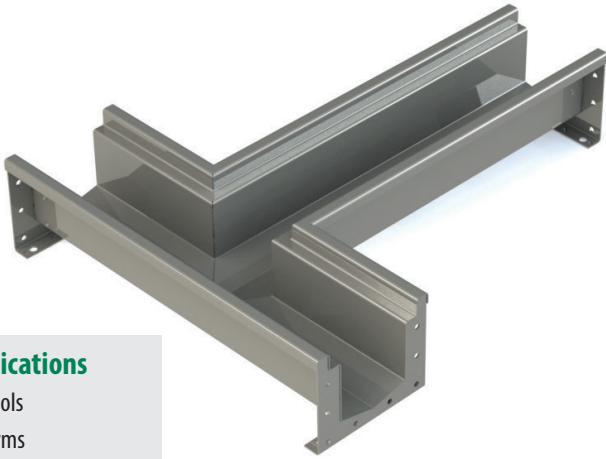
**KENT COMMERCIAL CHANNEL RANGE - KCRC(CS)125/KCRC(TS)125**

Corner Section KCRC(CS)125



**Specify: Kent Commercial Range Channel KCRC(CS)125 Corner Section ; 125mm wide; \_\_\_ mm length; Grade 304 Stainless steel; Grating will be Kent Commercial Perforated Grating Type; Load Class A**

T-Section KCRC(TS)125



**Applications**

- Pools
- Gyms
- Leisure Centres

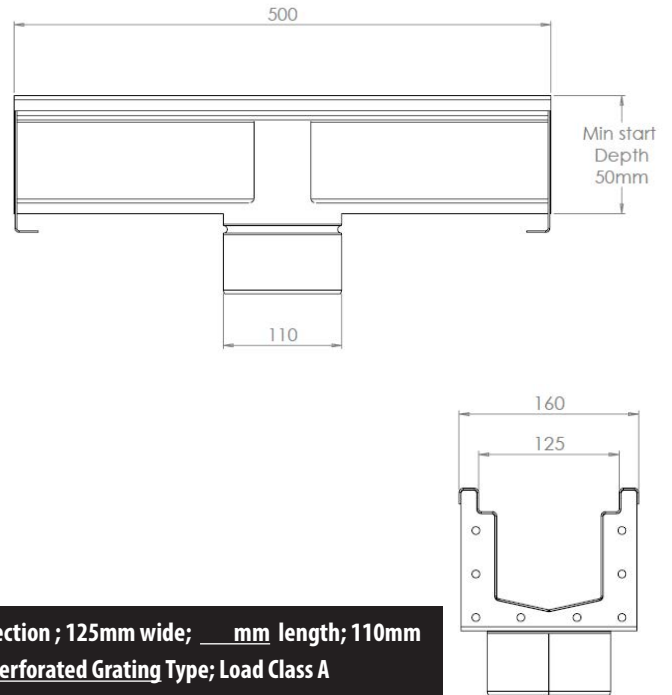
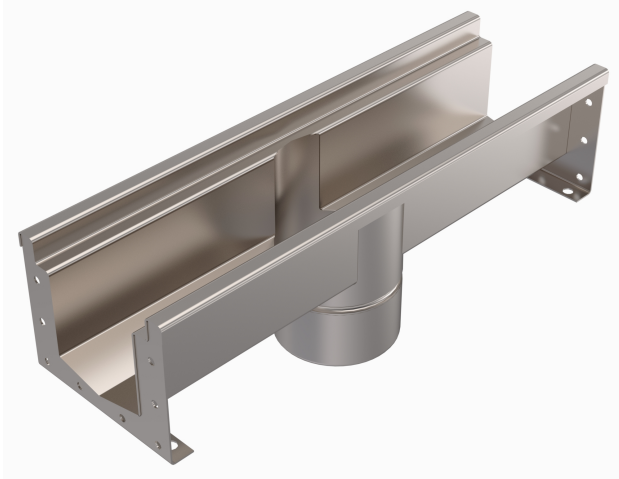
Product Code	Opening Width	Depth	Outside Edge Width
KCRC(CS)125	125mm	50mm	160mm
KCRC(TS)125	125mm	50mm	160mm

**Specify: Kent Commercial Range Channel KCRC(TS)125 T Section ; 125mm wide; \_\_\_ mm length; Grade 304 Stainless steel; Grating will be Kent Commercial Perforated Grating Type; Load Class A**

(amend underlined words to suit project)

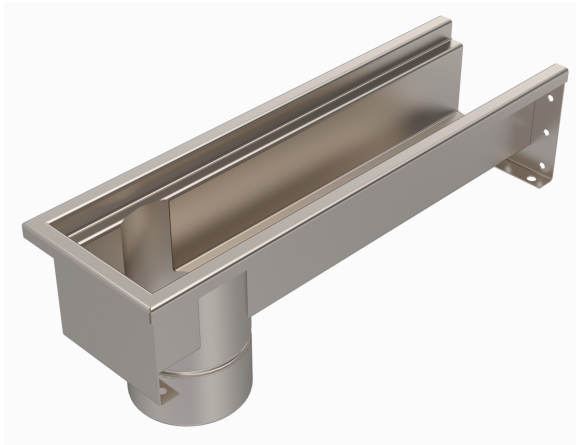
## KENT COMMERCIAL CHANNEL RANGE - KCRC(CO)125/ KCRC(EO)125

### Central Outlet Section KCRC(CO)125



Specify: Kent Commercial Range Channel KCRC(CO)125 Central Outlet Section ; 125mm wide;      mm length; 110mm Diameter Grade 304 Stainless steel; Grating will be Kent Commercial Perforated Grating Type; Load Class A

### End outlet Section KCRC(EO)125



Product Code	Opening Width	Depth	Outside Edge Width
KCRC(CO)125	125mm	50mm	160mm
KCRC(EO)125	125mm	50mm	160mm

#### Applications

- Pools
- Gyms
- Leisure Centres

Specify: Kent Commercial Range Channel KCRC(EO)125 End Outlet Section ; 125mm wide;      mm 110mm Diameter Grade 304 Stainless steel; Grating will be Kent Commercial Perforated Grating Type; Load Class A

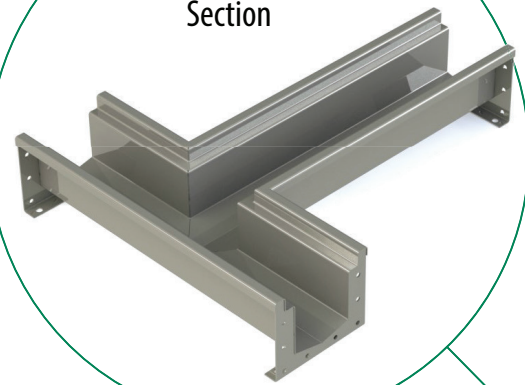
(amend underlined words to suit project)

## KENT CHANNEL SYSTEM

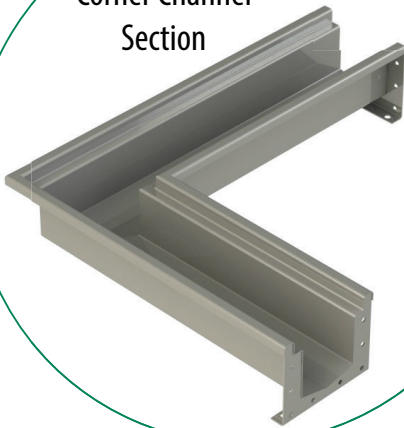
The Kent Commercial Channel range is a modular channel system made from 7 elements that will suit almost all commercial applications and can be delivered in a short lead time. The standard range has a constant invert of 50mm, but an in-built fall of 1:150 can be requested for production.

Fully compliant with EN1253. This channel is mostly used indoors and is supplied in grade 304 stainless (1.4301) – but grade 316L (1.4404) stainless is available for harsher environments on request (e.g. areas exposed to chlorine contamination).

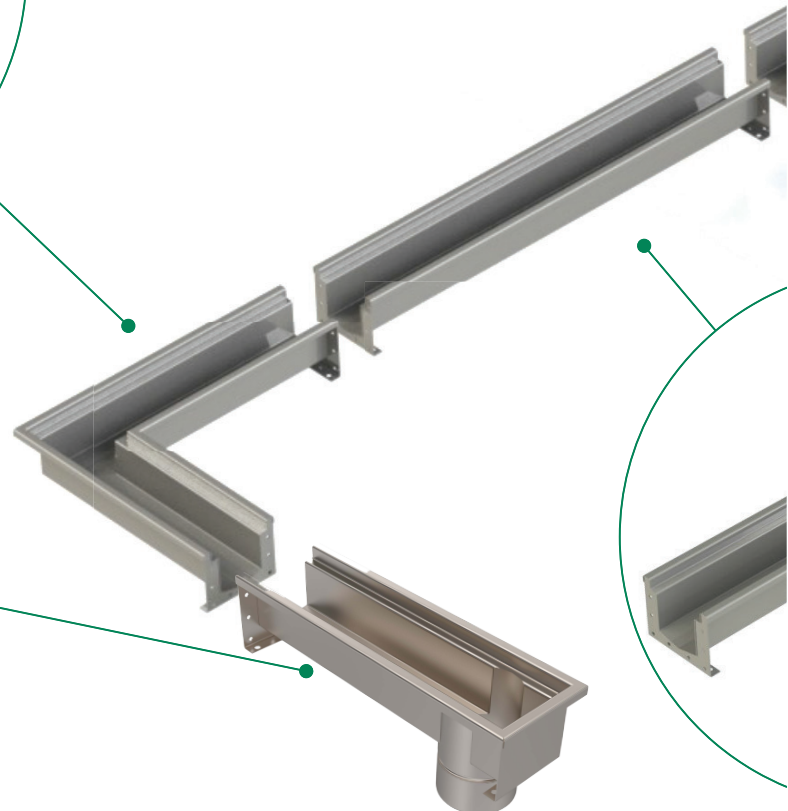
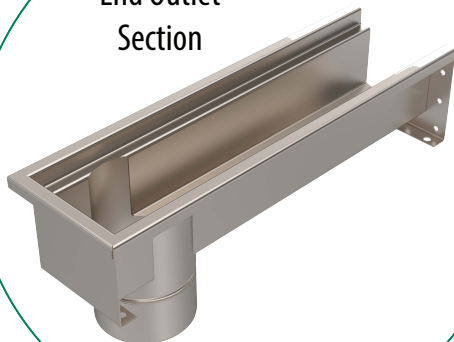
Tee Channel  
Section



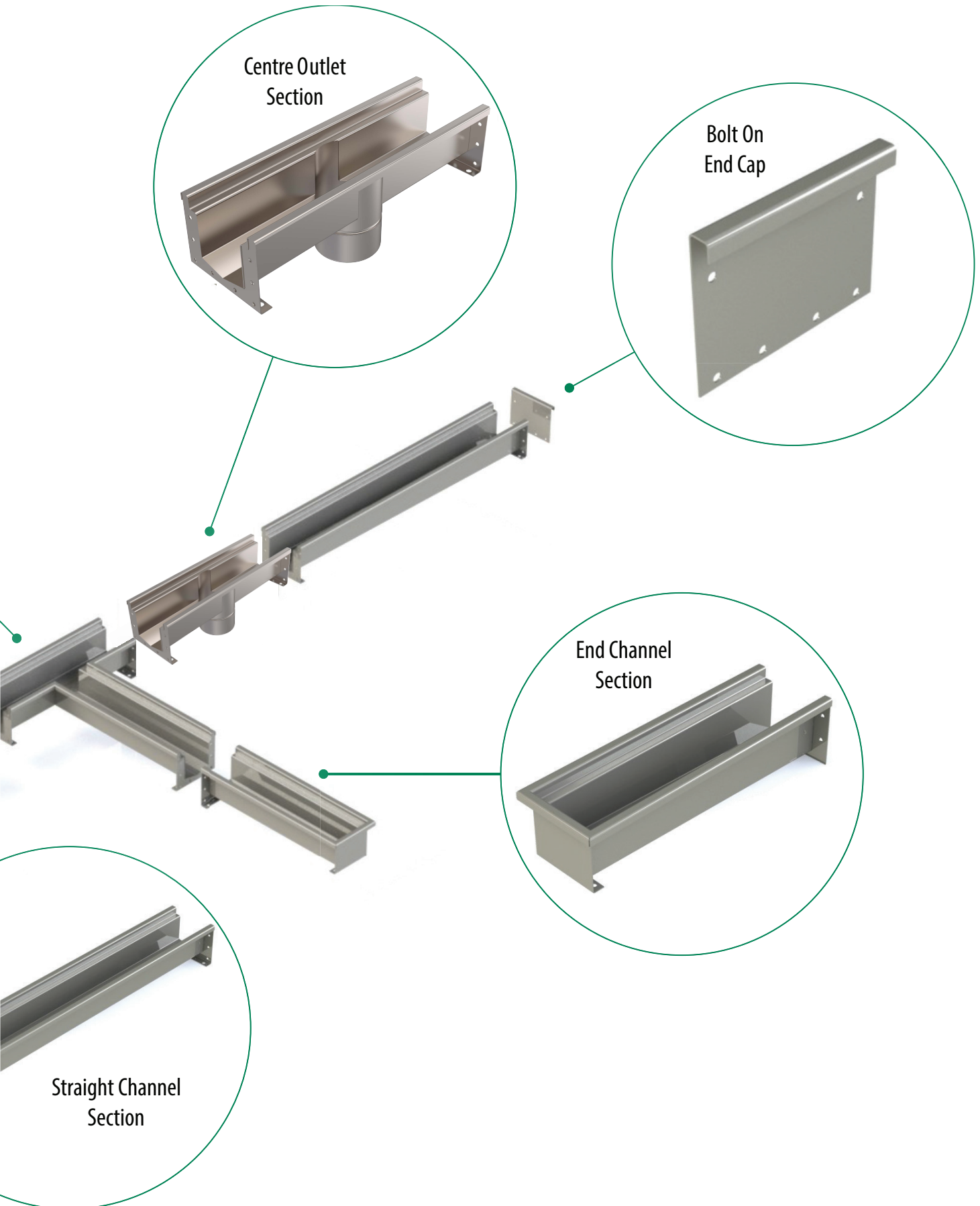
Corner Channel  
Section



End Outlet  
Section



**KENT CHANNEL SYSTEM**



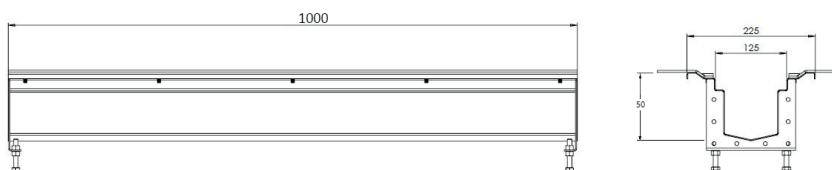
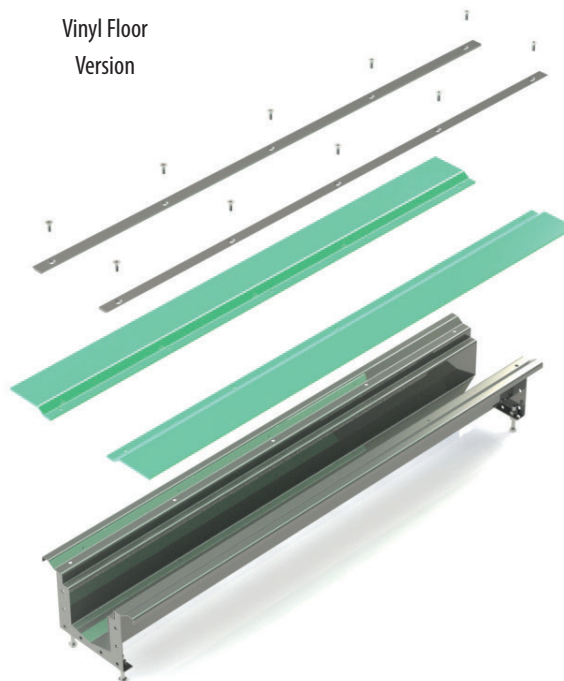


## KENT COMMERCIAL CHANNEL RANGE - VINYL CHANNEL

A low cost Stainless Steel Drainage Channel for all vinyl and flexible floor finishes. In grade 304 stainless as standard, size can be customised to suit projects. Typically used in Leisure Centres with Perforated or Heelmesh grating. Other decorative grating covers are also available. A variety of grates suitable for heel safe and barefoot are readily available. The trapped 110mm bottom outlet gives a 1.4litre per second flow rate.

### Features

- 125mm wide Body as standard
- 285mm Outside Edge to Outside Edge
- Trapped 110mm spigot outlet as standard
- Shallow 50mm start depth
- Concrete ties as standard
- Levelling Bolts as standard
- Polished top edge
- Variety of decorative gratings available
- Made to length – reduced joints
- Short lead times



Product Code	Opening Width	Depth	Outside Edge Width
KCRC125 (V)	125mm	50mm	285mm

### Applications

- Pools
- Gyms
- Leisure Centres

**Specify: Kent Commercial Range Channel KCRC125 (V) ; 125mm wide;      mm length with Central Trapped Spigot outlet; Grade 304 Stainless steel; Grating will be Kent Commercial Perforated Grating Type; Load Class A**

(amend underlined words to suit project)