

# BROADGATE LOAD BEARING TREE PIT

KRLBTP/3752





## BROADGATE LOAD BEARING TREE PIT KRLBTP/3752

This is a Load Bearing Pit version of our Kent Broadgate Circular Tree Grille—and was designed for installation on a traffic island where the risk of loads from slow moving heavy goods vehicles is high.

The inner 4 rings are joined as 4 quadrants—but for a narrower tree trunk an extra 5th inner ring can be added for removal at a future date

It has a Bright Peened Finish on the rings as standard - but polishes and finishes can be customised project by project.

Tray depth is 70mm to take 60mm deep pavers. Irrigation, Aeration points and Uplighter cutouts are not standard but are easily included.

A network of load bearing beams below the trays are included in our supply.

### Features:

- 316 Stainless Steel
- Discreet Square Lifting Eyes
- Bright Peened Finish
- Customisable Dimensions



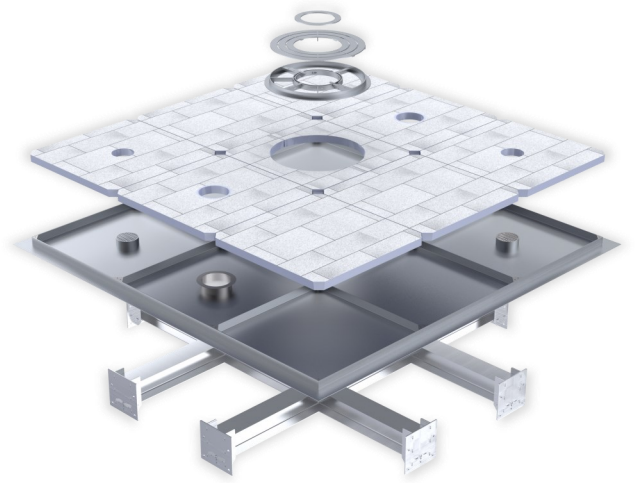
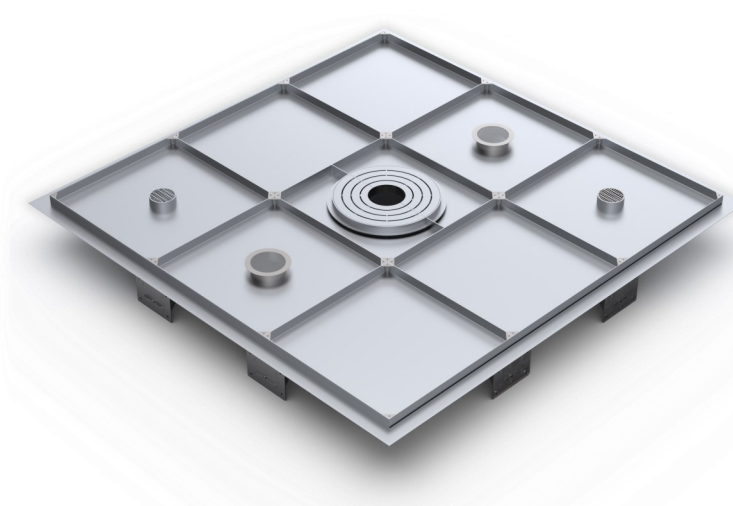
One Blackfriars, London, UK

**BROADGATE LOAD BEARING TREE PIT KRLBTP/3752**

**Product Dimensions**

Product Code	Length	Width	Depth
Kent Broadgate Recessed Tree Pit KBLBTP/1500	3500mm	3500mm	70mm

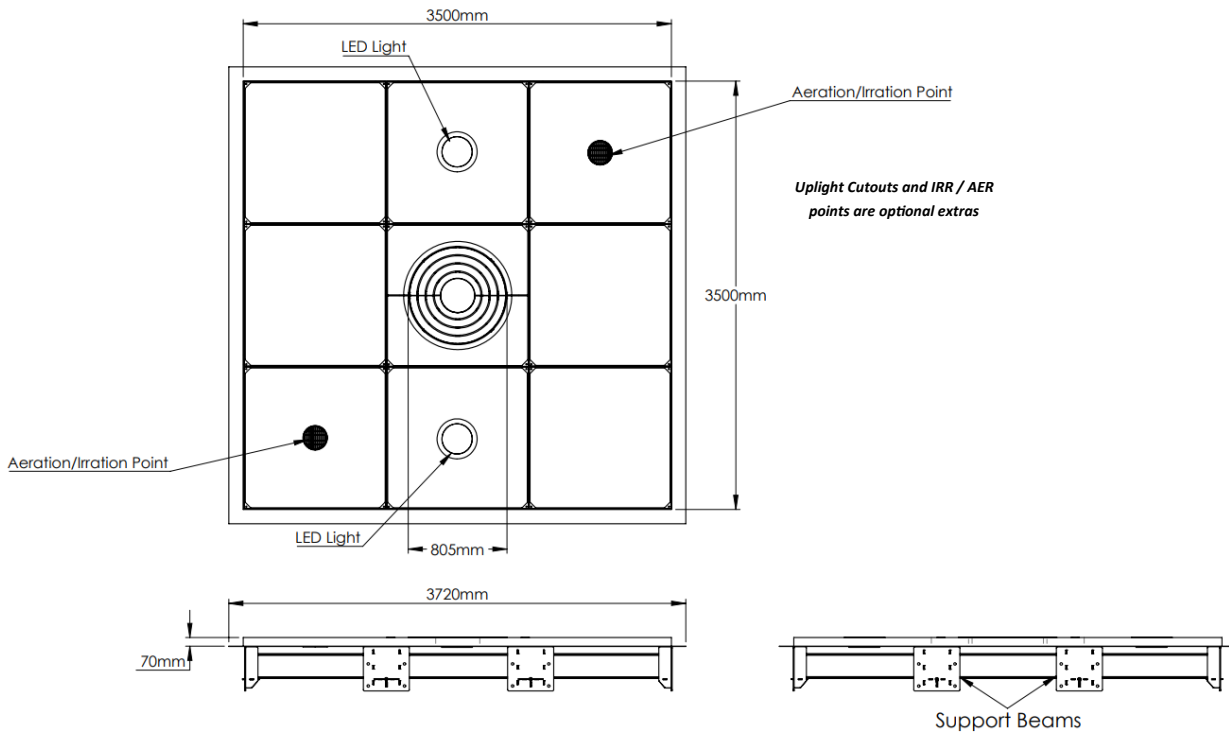
**Drawings**



Tree Pit is in 9 trays—70mm deep for 60mm pavers. As the tree grows the inner section

**B125 Loading for slow moving wheels fo a 44 ton truck achieved by the beam network below the trays**

*Uplight Cutouts and IRR / AER points are optional extras*

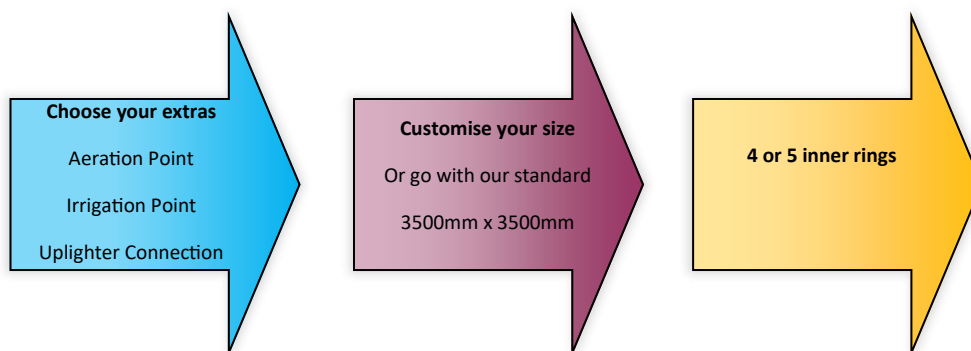


## BROADGATE LOAD BEARING TREE PIT KRLBTP/3752

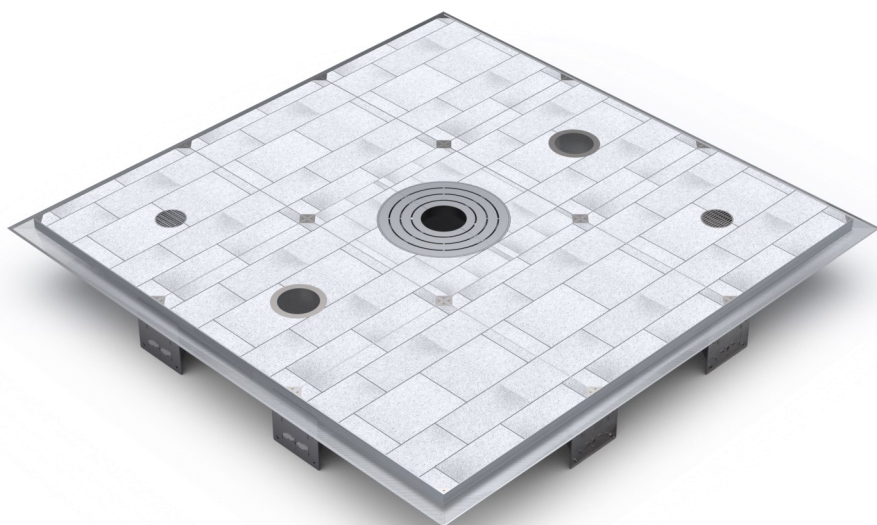
### Specification

#### Specify:

Kent Broadgate Load Bearing Tree Pit KBLBTP/3500; Depth 70mm ; Length 3500mm x Width 3500mm ; Grade 316L Stainless Steel; Bright Peened Finish; Loading B125; with 4 inner rings



### Finishes



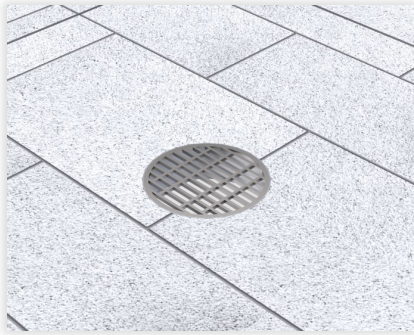
**Bright Peened**

*Inner Circles Bright Peened—with Passivated finish on other visible edges*



Click on Finish image  
for further information

### Optional Extras



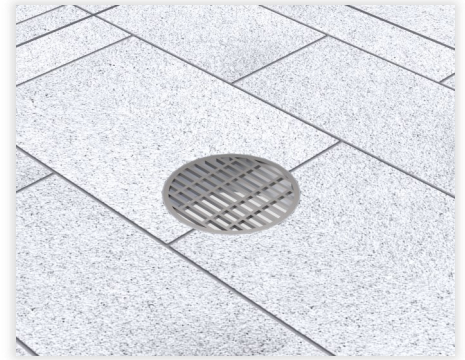
**Irrigation Entry Point**

*A pipe below an entry point for connection to an irrigation system supplied by others*



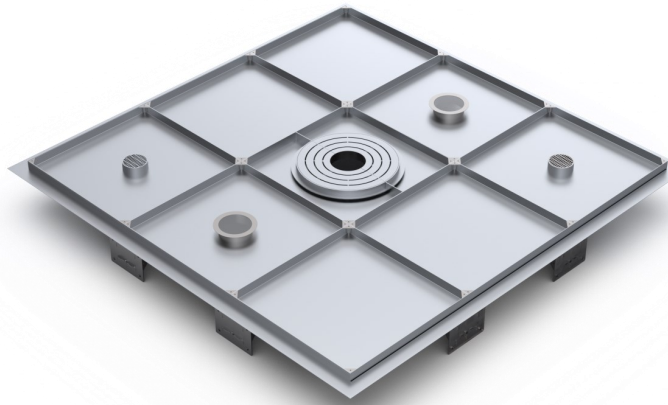
**Uplighter Point**

*A circular cutout with a flange for connection to a light supplied by others*

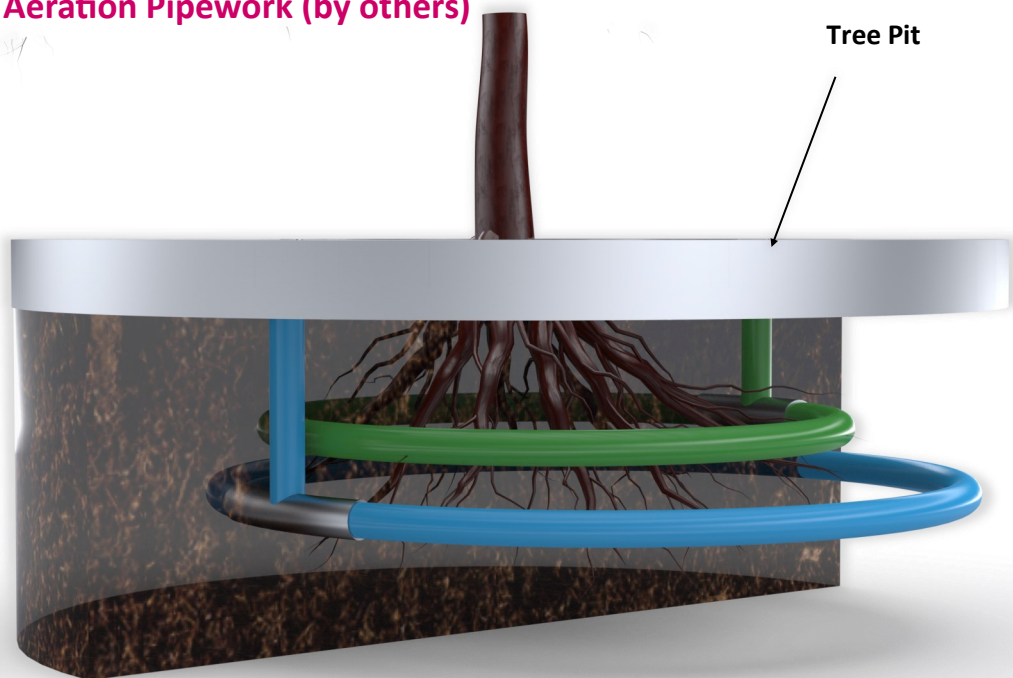


**Aeration Entry Point**

*A pipe below an entry point for connection to an irrigation system supplied by others*



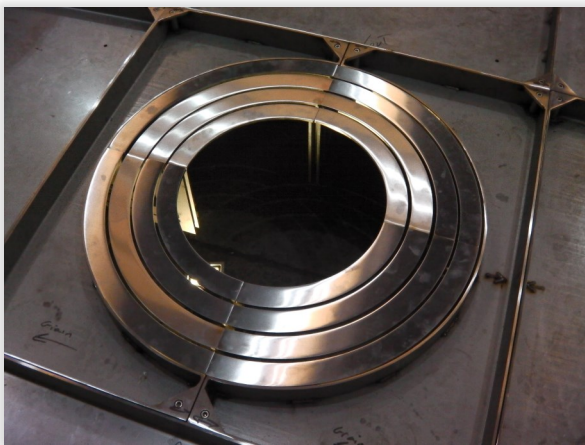
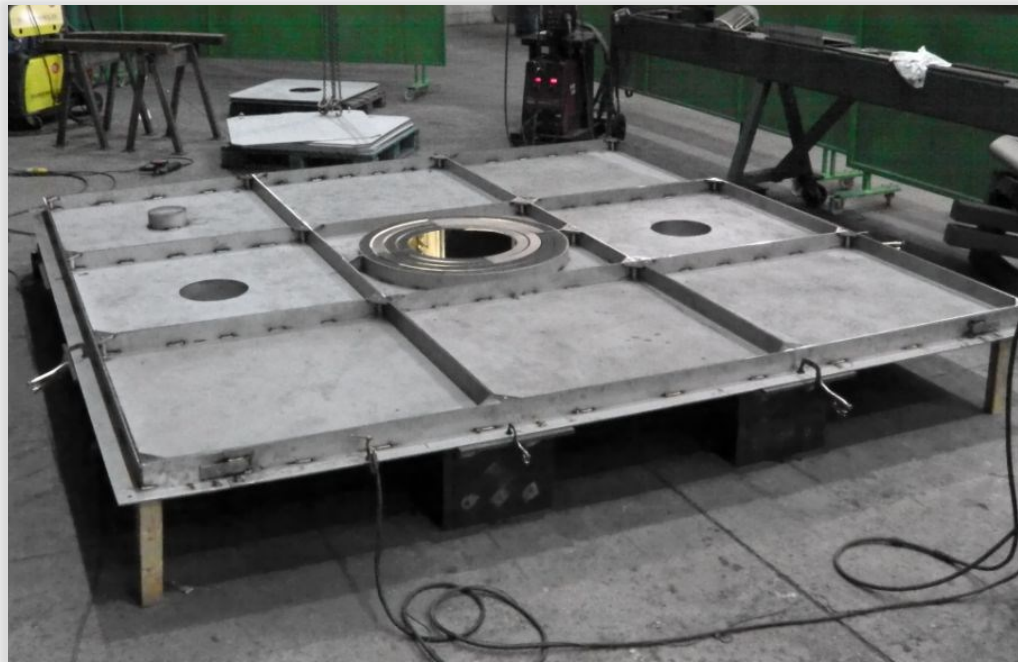
### Irrigation & Aeration Pipework (by others)



**Green = Aeration**

**Blue = Irrigation**

**Factory Photos**



**4-5 Tree Rings**



**Irrigation / Aeration  
Entry Point**

## RECESSED LOAD BEARING TREE PIT KRLBTP/3752

### Maintenance

#### Stainless Steel Maintenance

Clean the stainless steel components using warm water with a mild detergent with a non-abrasive cloth or sponge. Heavier stains may require the use of a nylon-scouring pad or a stainless steel cleaner.

To remove paint or graffiti use a cloth and Alkaline or solvent paint strippers according to type of paint. In the case of a bead blasted finish, where abrasive cleaning is required, always use a random circular rubbing action with a cloth.

In the case of brushed finishes the surface consists of uniform fine 'scratches' running in one direction so where abrasive cleaning is required always use a straight back and forward rubbing action in the direction of the grain using soap and warm water.

Rust spots or 'tea stains' can occur on the surface of the material, these are normally caused by contamination from ordinary mild steel, particularly in areas where construction work has been undertaken. Such stains can be removed using Rust Remover 410.

In cases where the surface is severely stained because of severe environmental conditions or scratched due to misuse, it may still be possible to restore the original finish using chemicals such as Oxalic Acid solution. There are many stainless steel polishes available to enhance the surface finish.

# KENT STAINLESS

A partner you can rely on



5 Broadgate, London, UK

## Contact us

Phone: +353 53 914 3216

UK Freephone: 0800 376 8377

USA: 718 374 7391

Email: [info@kentstainless.com](mailto:info@kentstainless.com)

Address: Ardcavan, Wexford, Ireland, Y35 CRW2

