



The KV280/110DS Gully is Round Body, Square Top/Bottom Outlet Gully for heavy duty areas with high flow rates. They are designed for use primarily in Food/Beverage/Pharmaceutical factories.

They can be used in both light duty and very heavy duty trafficked areas (depending on the gratings chosen). It has a deep swage as standard (DS =Deep Swage) and so takes all 25mm deep gratings offered by Kent (Perforated, Mesh, Factory Ladder, Heelproof Slotted, Heelproof perforated, Gratings). When used with heelproof gratings it is suitable also for civil projects.

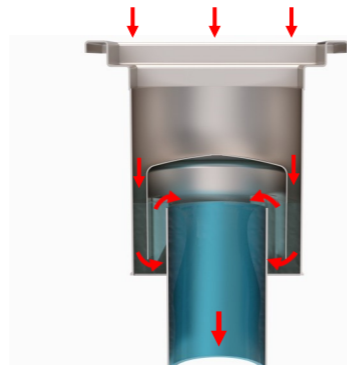
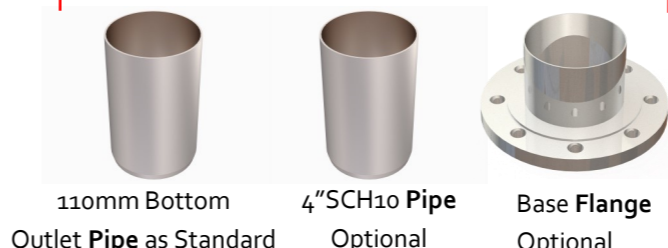
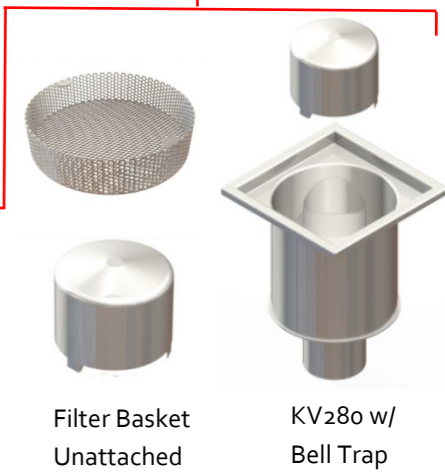
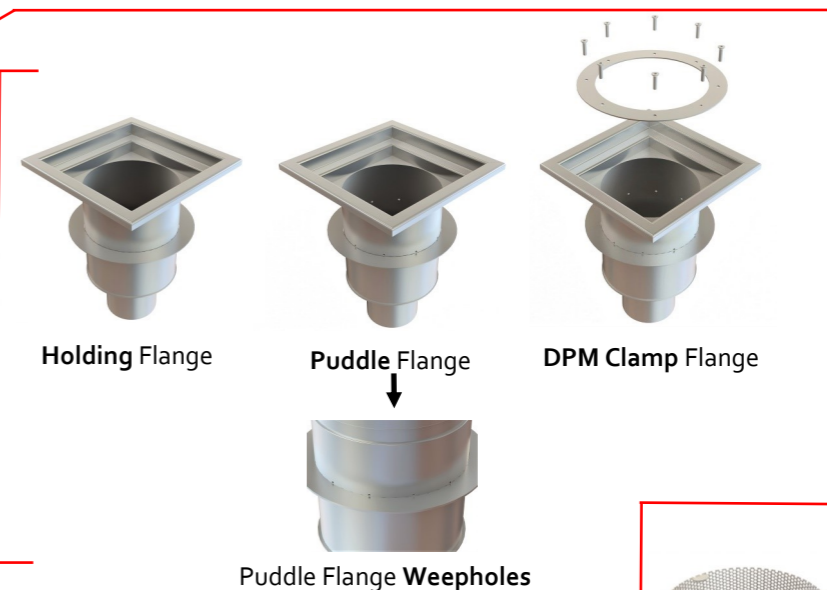
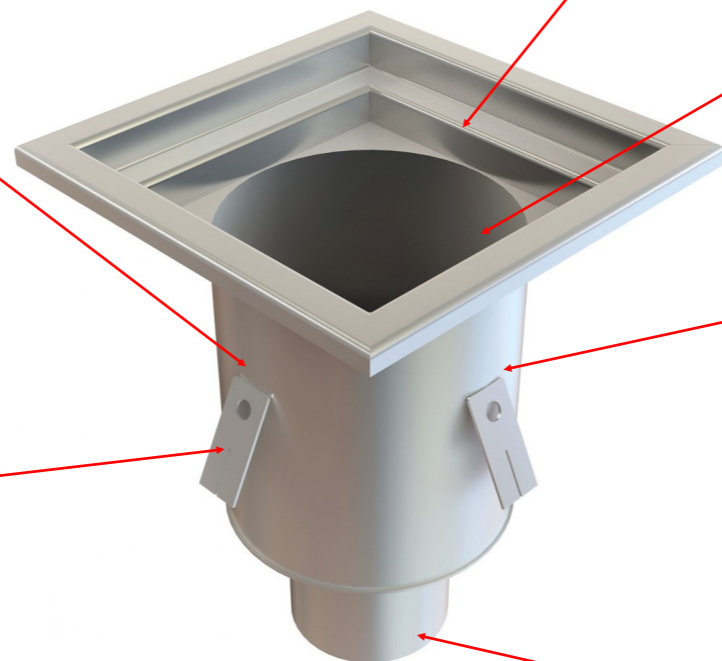
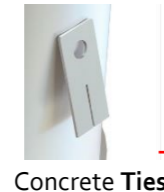
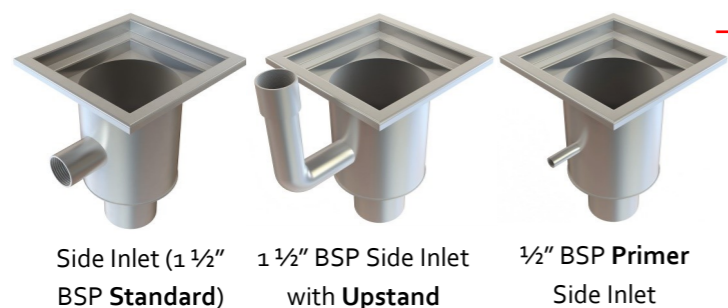
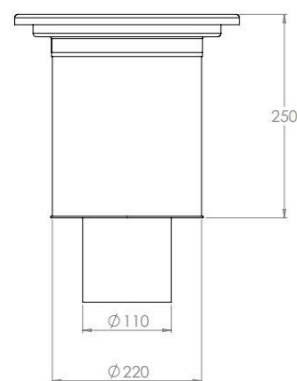
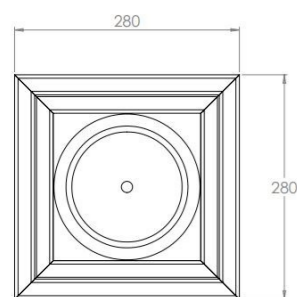
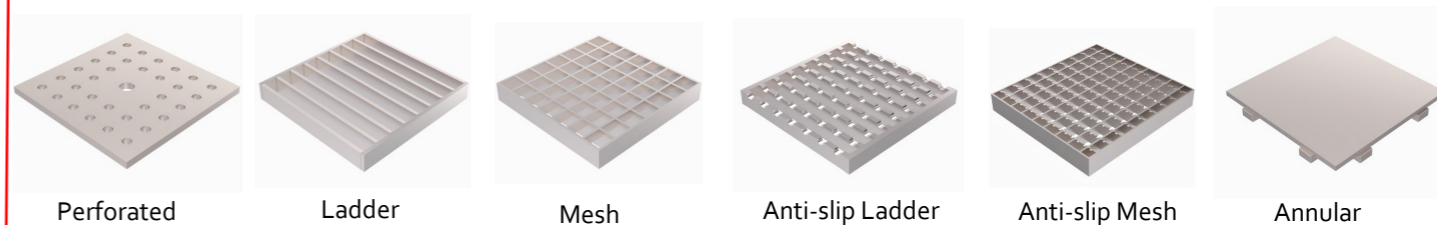
In most cases a 110mm or 160mm outlet is required, but this can easily be substituted for a 4" or 6" SCH10 outlet pipe. It is trapped as standard with the Kent Bell Trap. The Turnout/turndown edge profile helps floor adhesion on poured floors.

Features:

- Grade 304 (1.4301) or 316 (1.401) Stainless Steel to BS EN 10088
- Strong
- Short lead time
- Usable in both heavy and light duty areas
- Suitable for internal factory drainage projects.

GRATING OPTIONS

FACTORIES



Product Code	Height	Width	Diameter	Outlet	Swage	Flow Rate*
KV280/110DS	250	280	220	110	25	6.17l/s
KV330/110DS	250	330	270	110	25	6.17l/s
KV430/160DS	300	430	370	160	25	17.03l/s

*flow rate is also dependent on grating chosen.

Specify: Kent KV280/110DS trapped industrial gully; 280mm dia; grade 304 stainless steel; complete with _____ grating.

Choose the product code from the dimensions table above.

Add specification options from the next page.

BS EN1253 Loading Class L15 / R50 / M125 / N250 / P400

Our internal gullies can be subjected to very heavy loads but must have the correct heavy duty grating to achieve these loads. Suitable for Factories and Leisure Centres.