

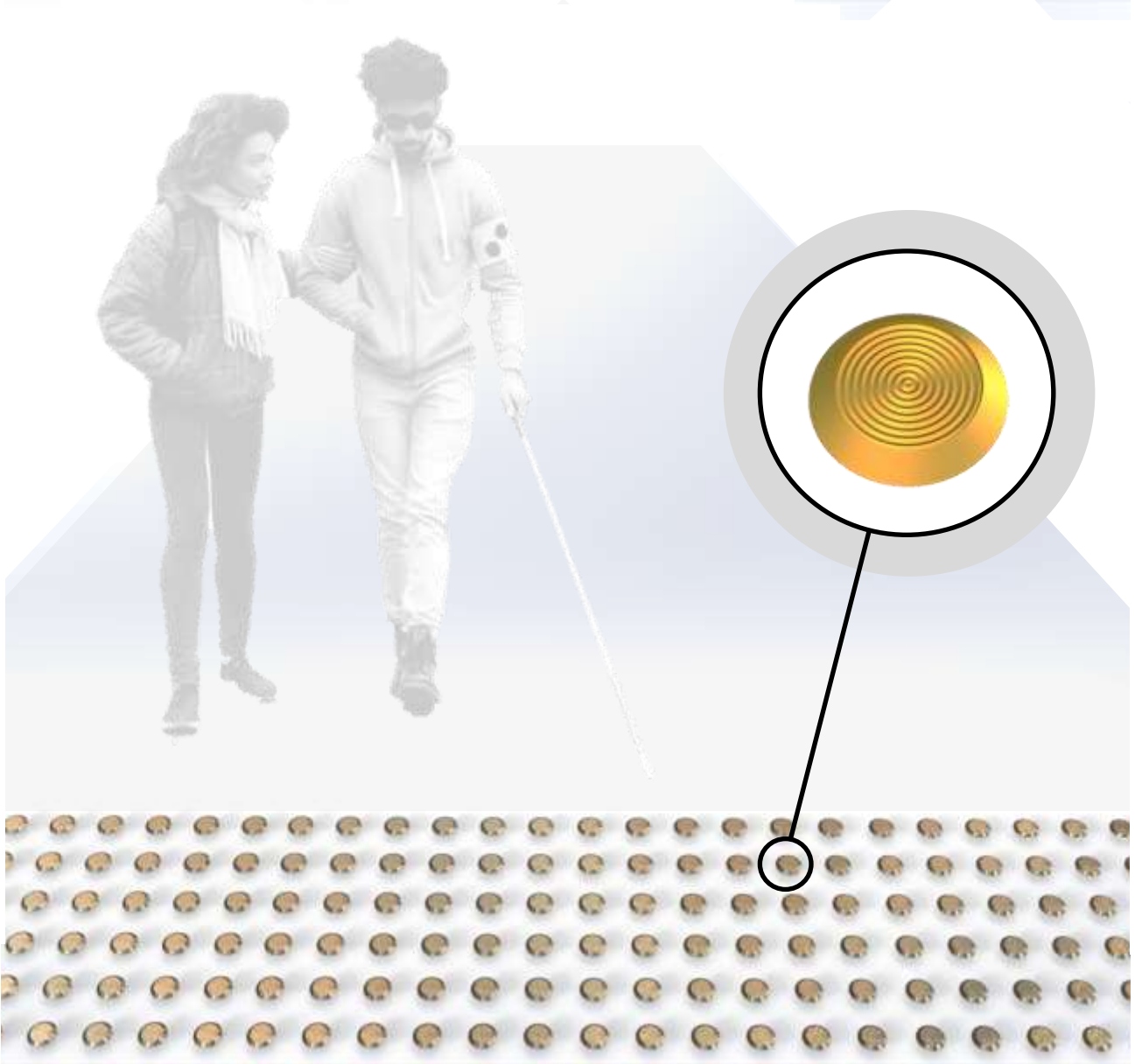


Kent
STAINLESS

03/2024

Kent Brass Tactile Warning Stud

KBTWS 35/5/FDMG



Kent Brass Tactile Warning Stud

Street Furniture



Specify:

Kent Brass Tactile Warning Stud (Multi Groove) KBTWS 35/5/FDMG; 35mm (1.38") diameter x 5mm (0.20")high; multi rings; Brass 59, 6mm (0.24") dia x 14mm (0.55") stud for root fixing below GL

Description:

The Brass Kent Tactile Warning Studs provide an underfoot warning to identify hazards and dangerous areas where there is a change in levels or where there is an unprotected opening such as open stairwells and platforms.

The slip resistant design ensures the studs do not themselves become a hazard in wet or cold conditions.

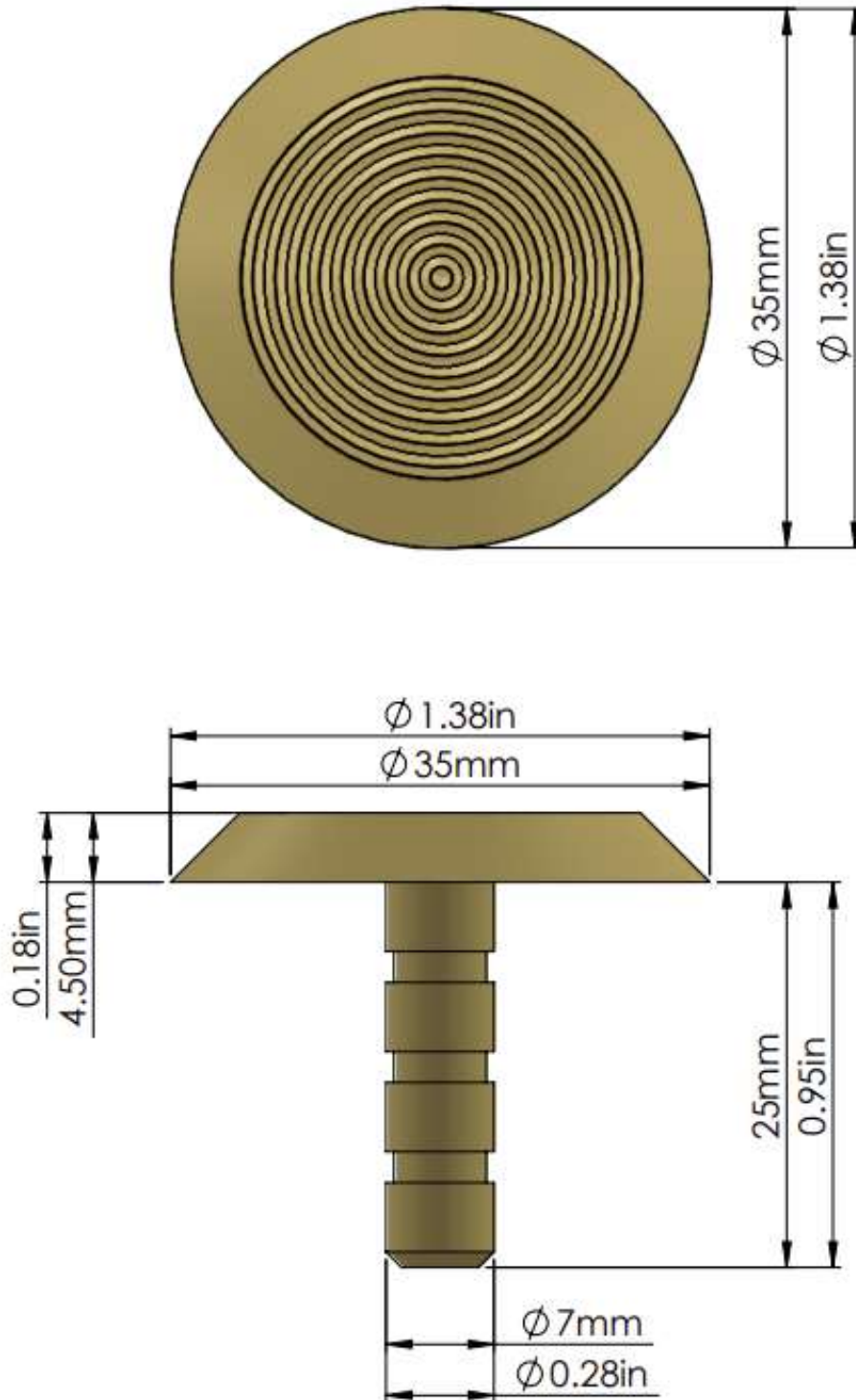
Features:

- 5mm (0.20")high
- 35mm (1.38") dia Disc
- Multi Groove
- 1 Installation pin
- Easy installation



Kent Brass Tactile Warning Stud

Street Furniture



Product Code	Diameter	Height
Kent Brass Tactile Warning Stud KBTWS 35/5/FDMG	35mm (1.38")	4.5mm (0.18")



Kent Brass Tactile Warning Stud

Street Furniture



TYPICAL STUD INSTALLATION:

Note Before installation process: To ensure that the mortar adheres fully to the stud and pavement installation should be done in a dry environment.

Step 1: Drill a 12mm (0.47") Diameter hole 30mm (1.18") deep.



Step 2: Clean out the drilled hole. Vacuum or Blow clear.



Step 3: Fill with chemical mortar.



Step 4: Insert the Stud and leave to set for 24 hours.

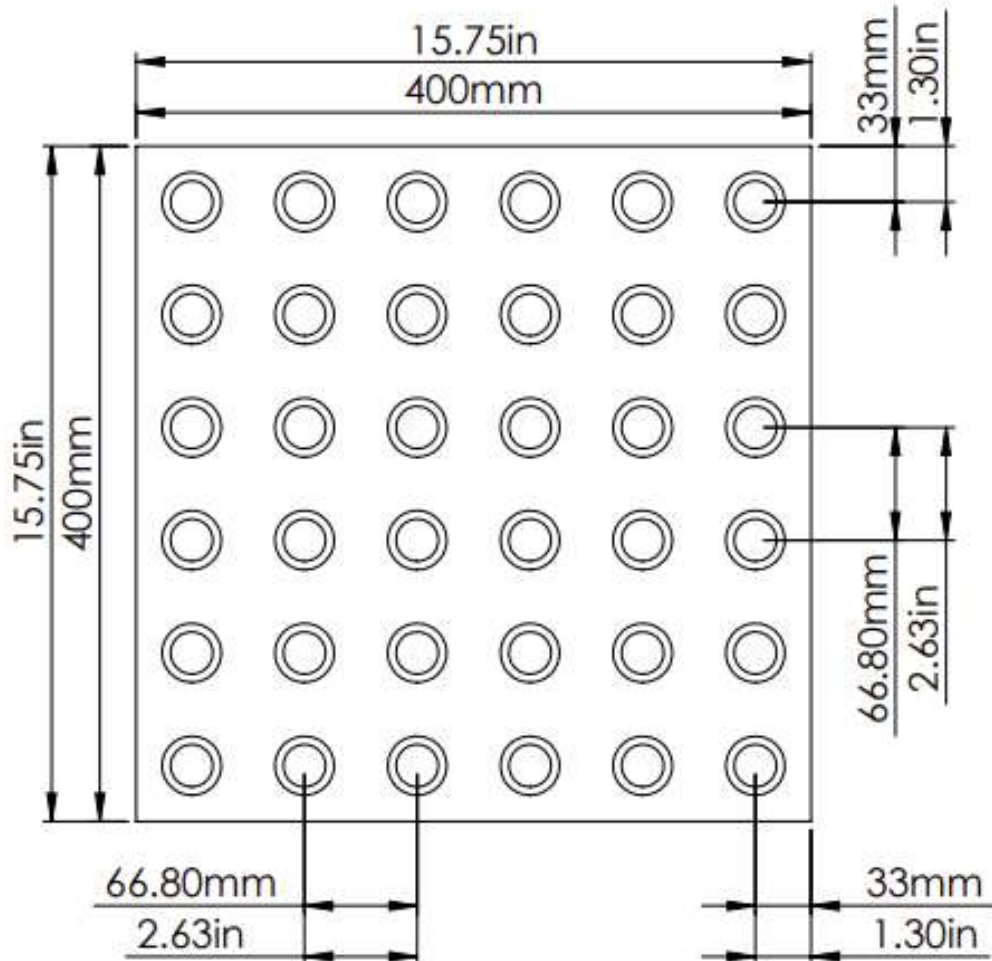


Kent Brass Tactile Warning Stud

Street Furniture



TY



Note: It will take 225 studs to fill an area of 1 meter squared.
It will take 16 studs to fill an area of one foot squared.



Brass Maintenance.

When maintaining raw brass there are two main factors that will affect the quality of the finish of the product:

- Weathering
- Tarnishing

Weathering: When brass is in contact with oxygen it will oxidize and a slightly green patina will form within a few months. When the product is in direct contact with wind and rain it can speed up the rate the patina will form at.

Tarnishing: Raw brass is very susceptible to becoming tarnished if not handled correctly. Any contact with skin will cause finger prints to be left behind this will cause the brass to start to tarnish within weeks. It is essential to wear gloves when installing and maintaining brass products.

Steps to maintain a clean finish on raw brass:

- For general cleaning use a soft, clean, lint free cloth and clear water to wipe away any dirt or dust that might have gathered on the product.
- For a heavier clean, the use of Brass cleaning product such as 'Brasso' will have to be applied. This will remove harder to clean dirt that the cloth could not wipe away as well as removing tarnishing and grease build up also. This will leave the product with a clean bright and shiny finish.
- For minor scratches a Scotch Brite sanding pad can be used to return the finish back to its original form.



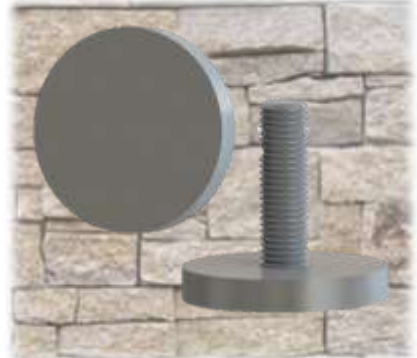
Alternative stud options:



Kent Brass Tactile warning stud



Kent Criss Cross Demarcation stud



Kent Demarcation stud



Kent Diamond Tactile warning stud



Kent Tactile warning stud



Kent Multi Groove Tactile warning stud



Kent 4" Engraved Demarcation stud



Kent 4" Domed Road stud



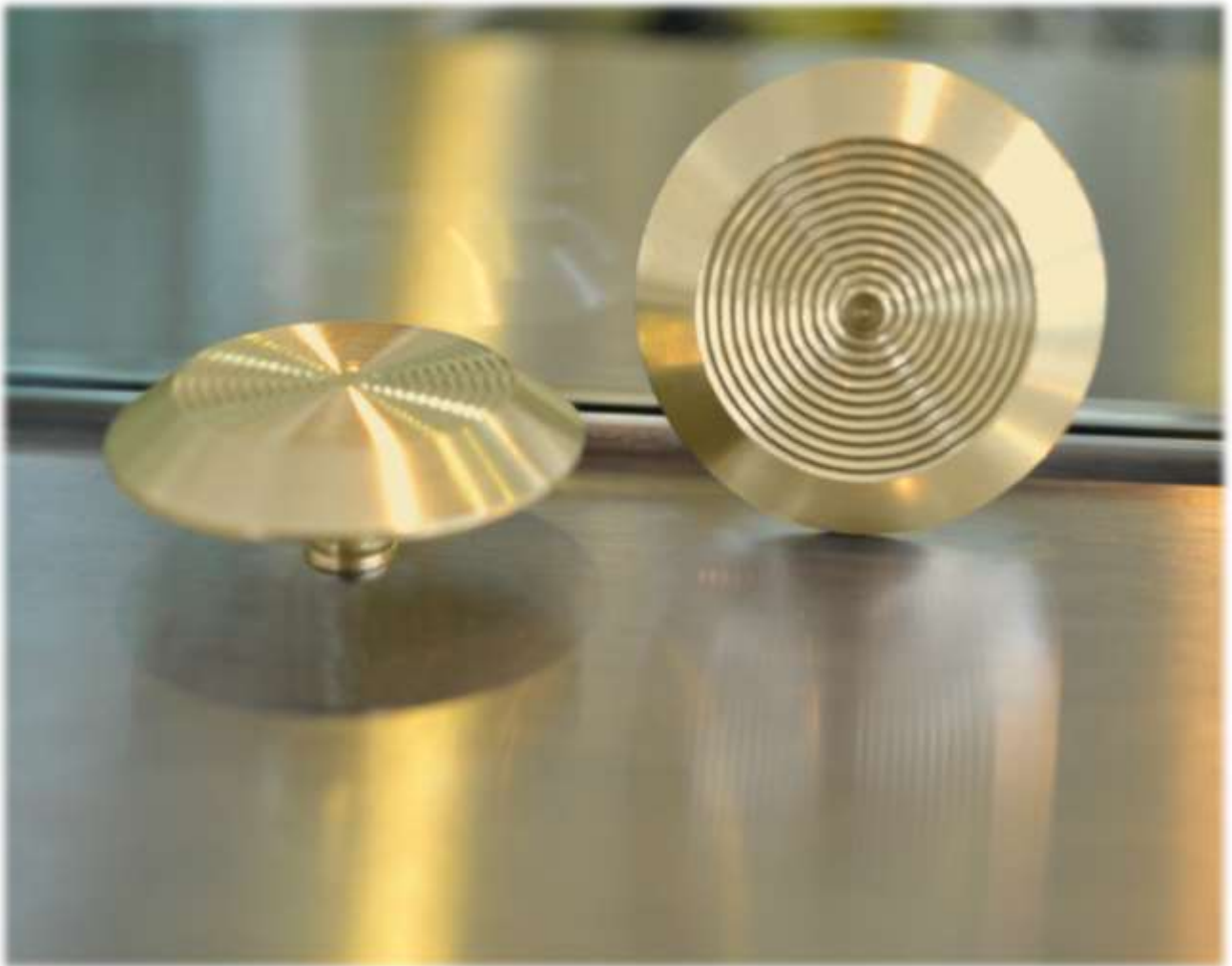
Kent 4" Pyramid Road Demarcation stud

All studs can be modified to customer specifications on request.



Kent
STAINLESS

== **A partner you can rely on** ==



Contact us:



Phone:	+353 53 914 3216	Email:	info@kentstainless.com
UK Freephone:	0800 376 8377	Address:	Ardcavan, Wexford
USA:	718 374 7391		Ireland, Y35 CRW2

