

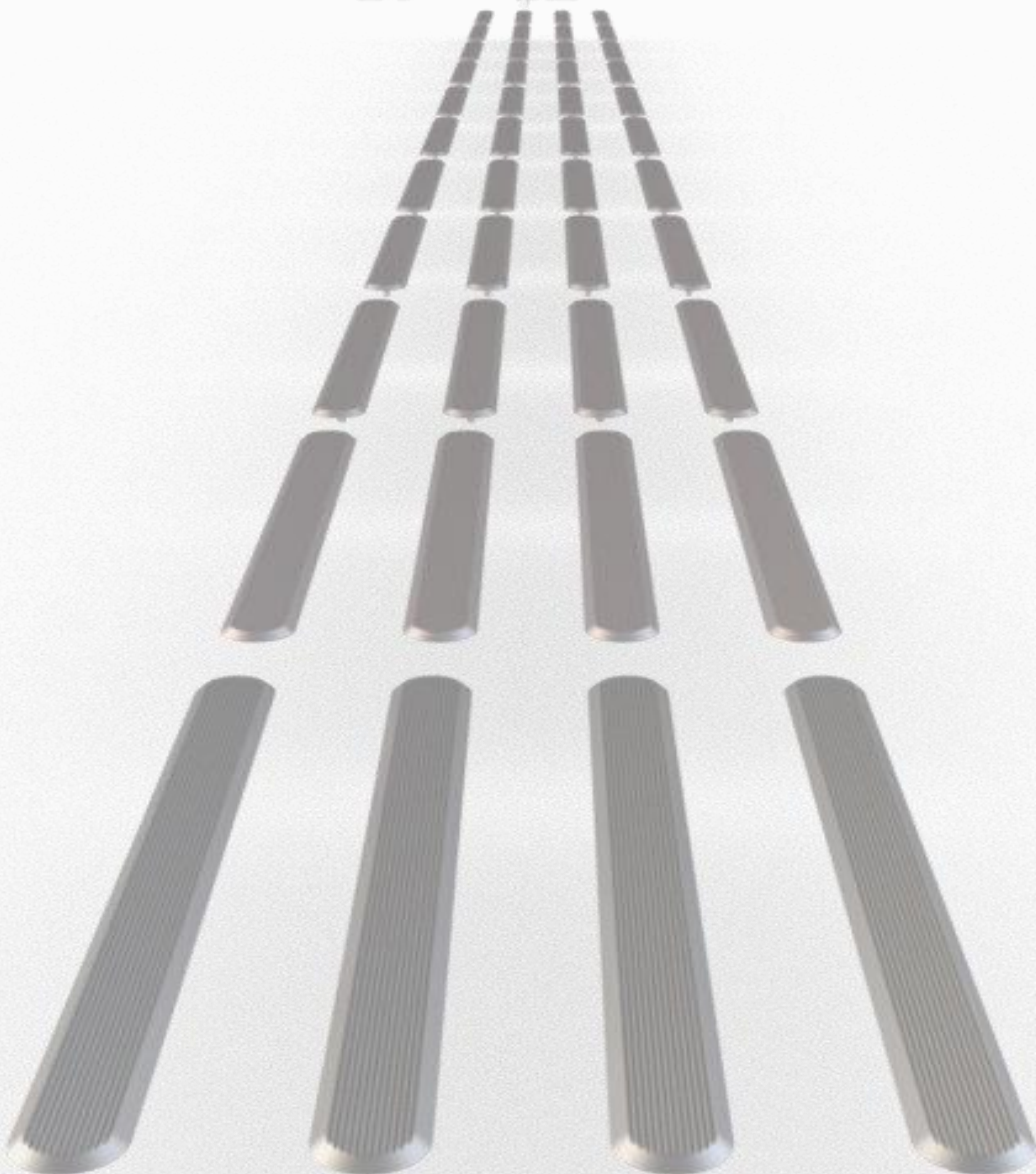


**Kent**  
STAINLESS

03/2024

# Kent Ridge Tactile Warning Strip

## KRTWS 25/400



# Kent Ridge Tactile Warning Stud

## Street Furniture



### Specify:

Kent Ridge Tactile Warning Strip KDTWS-25/400; 400mm (15.75") length, 25mm (0.98") wide; 5mm (0.20") high, linear ridge finish, with 3nr 6mm (0.24)" dia x 14mm (0.55) stud for root fixing below Ground Level  
Grade 316 Stainless Steel available

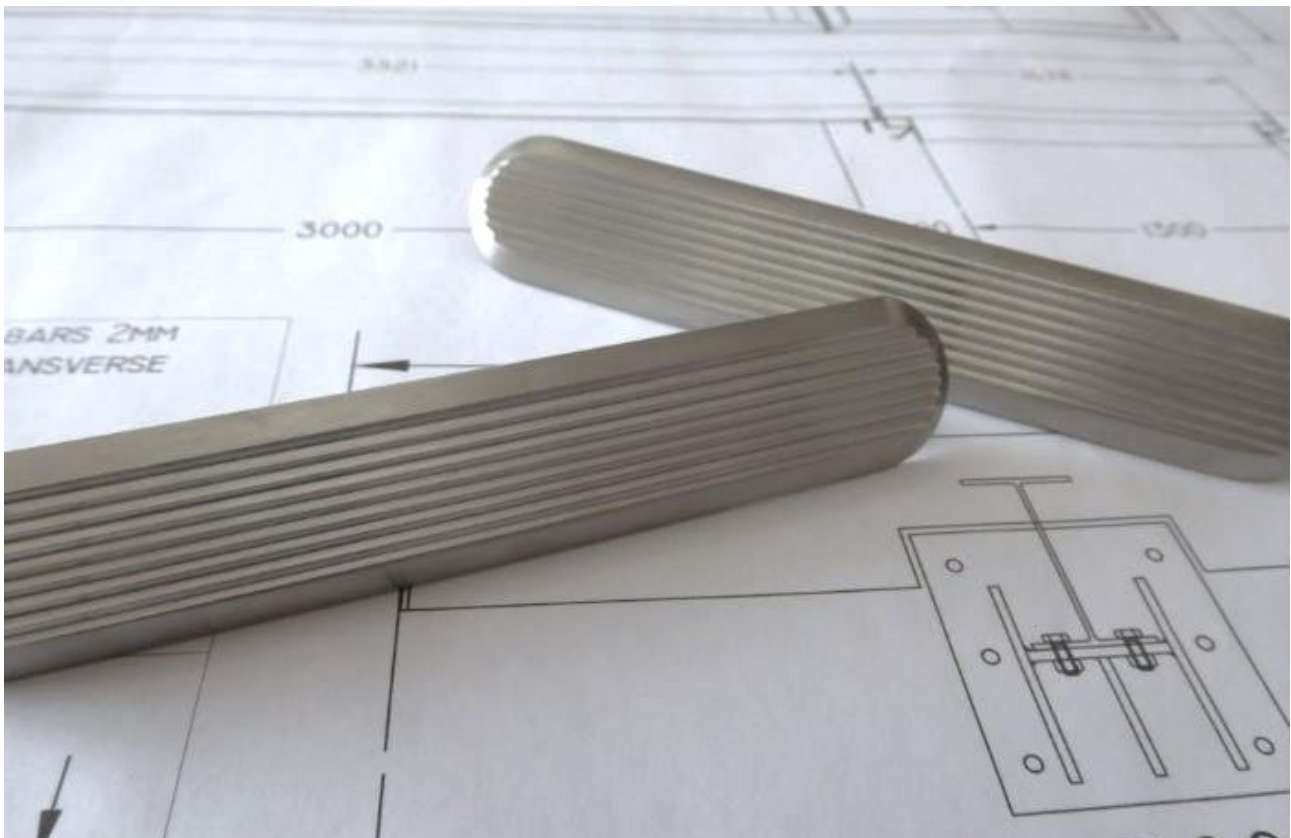
### Description

The Kent Ridge Tactile Warning Strips provide an underfoot warning to identify hazards and dangerous areas where there is a change in levels or where there is an unprotected opening such as open stairwells and platforms. They are also used as guides to help visually impaired people to follow paths without going off course.

The Ridge Tactile Warning Strip is intended to be used in a mostly dry environment such as indoor areas like a metro station, Shopping Centre, Sports arena and so on.

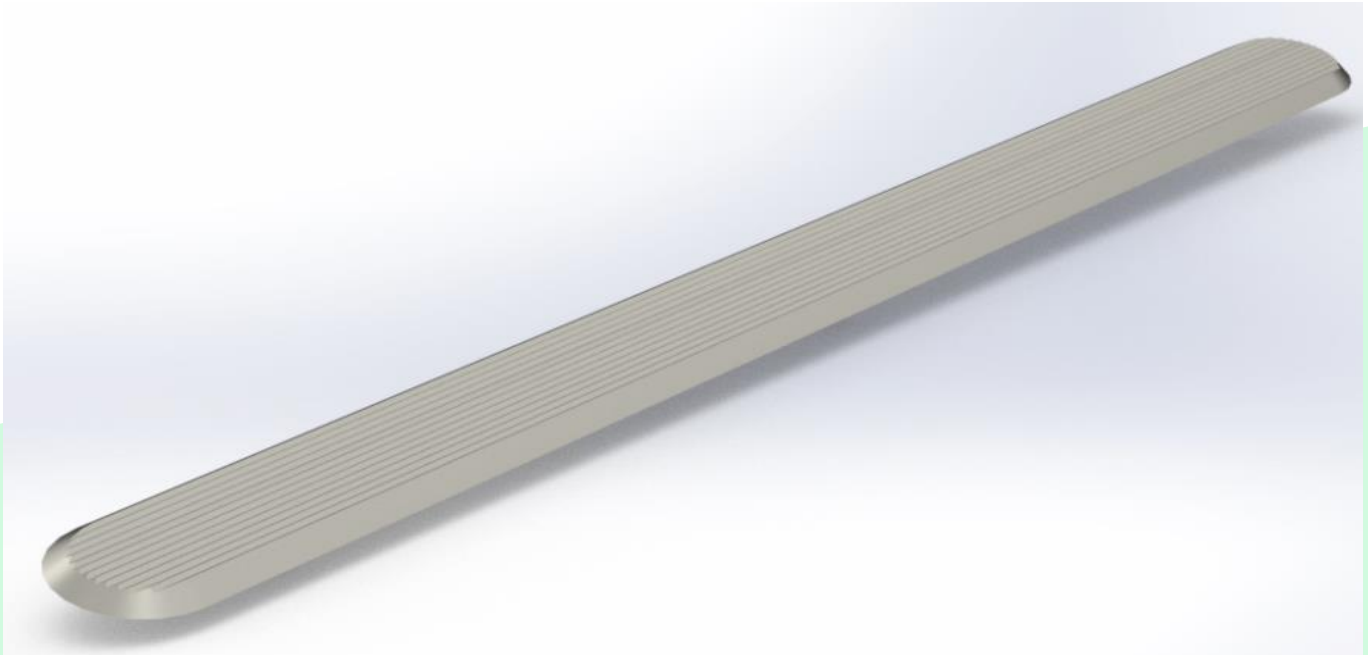
### Features:

- Underfoot warning to identify hazards and dangerous areas
- Grade 316 Stainless Steel
- Easy installation
- Linear Ridge finish



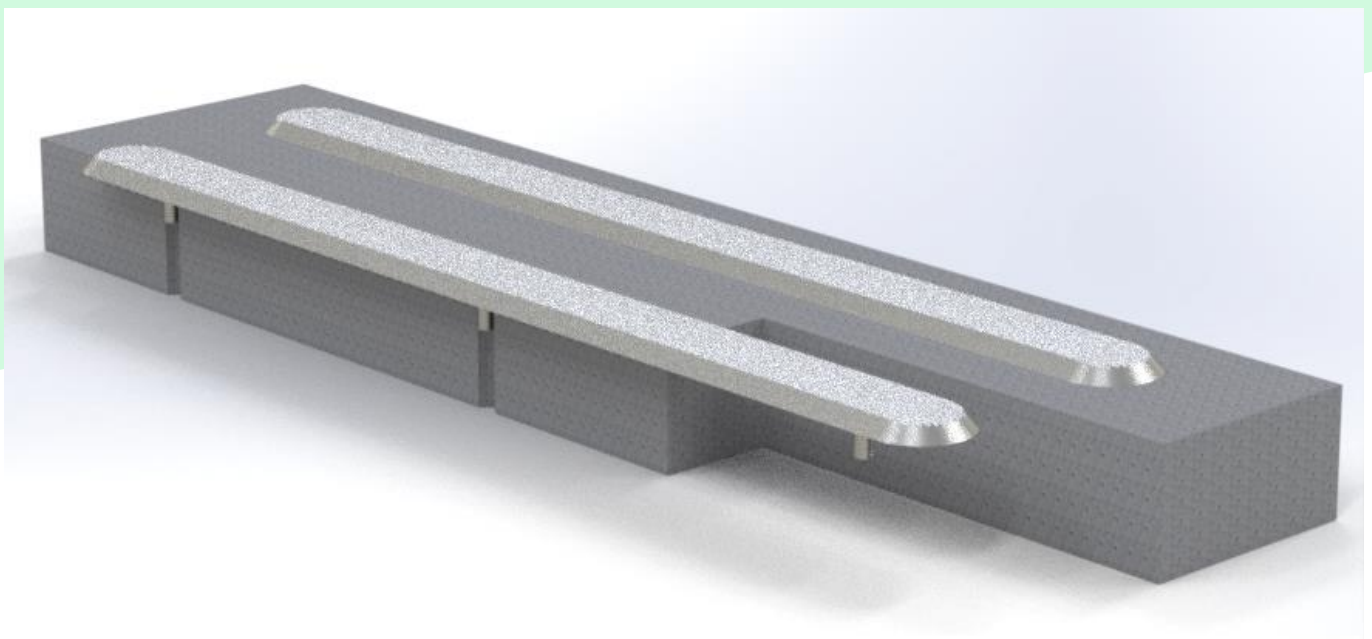
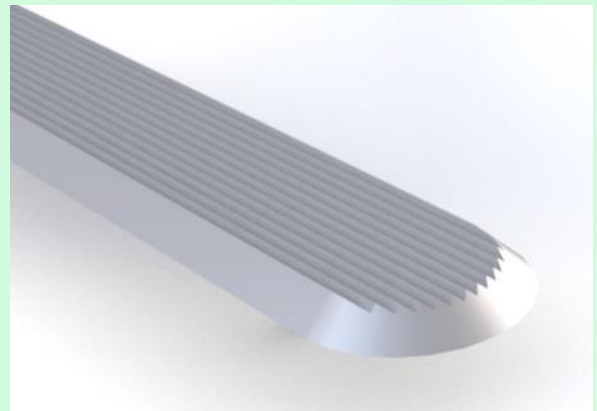
# Kent Ridge Tactile Warning Stud

Street Furniture



The Tactile warning strip comes in one size as standard:

- 400mm long x 25mm wide

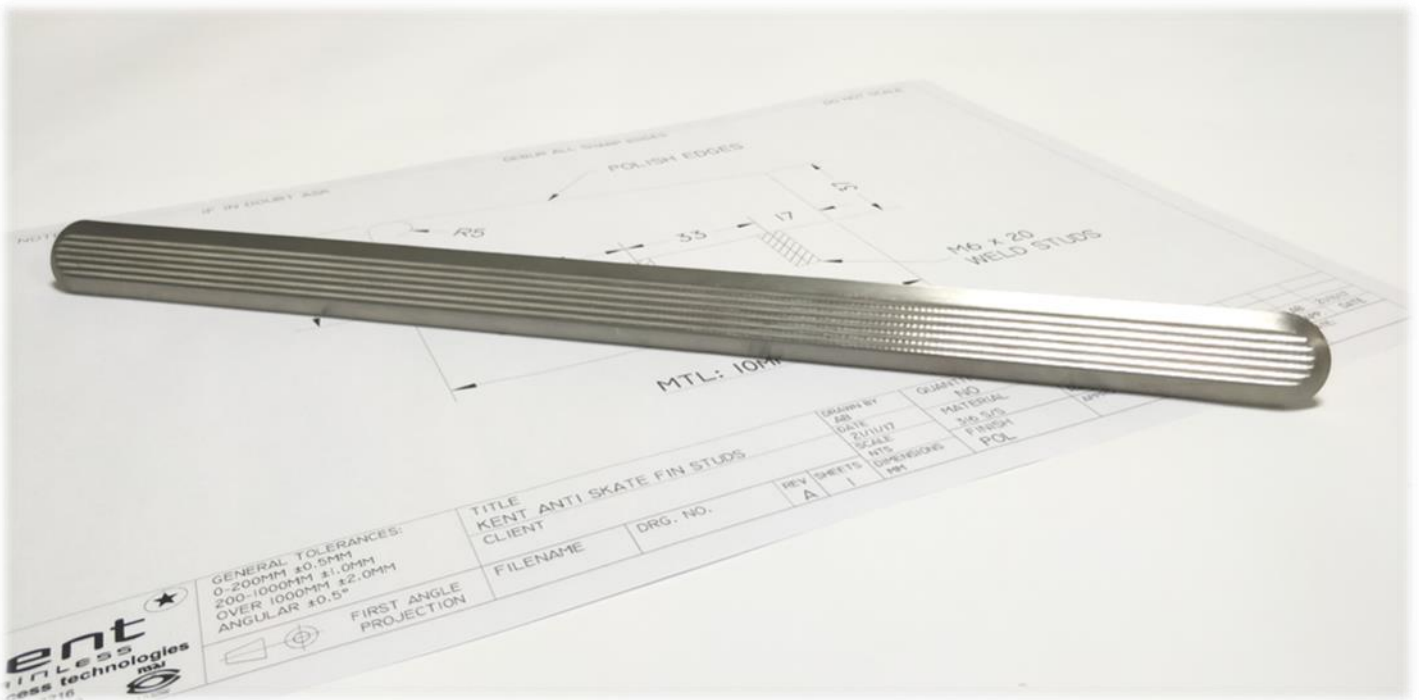
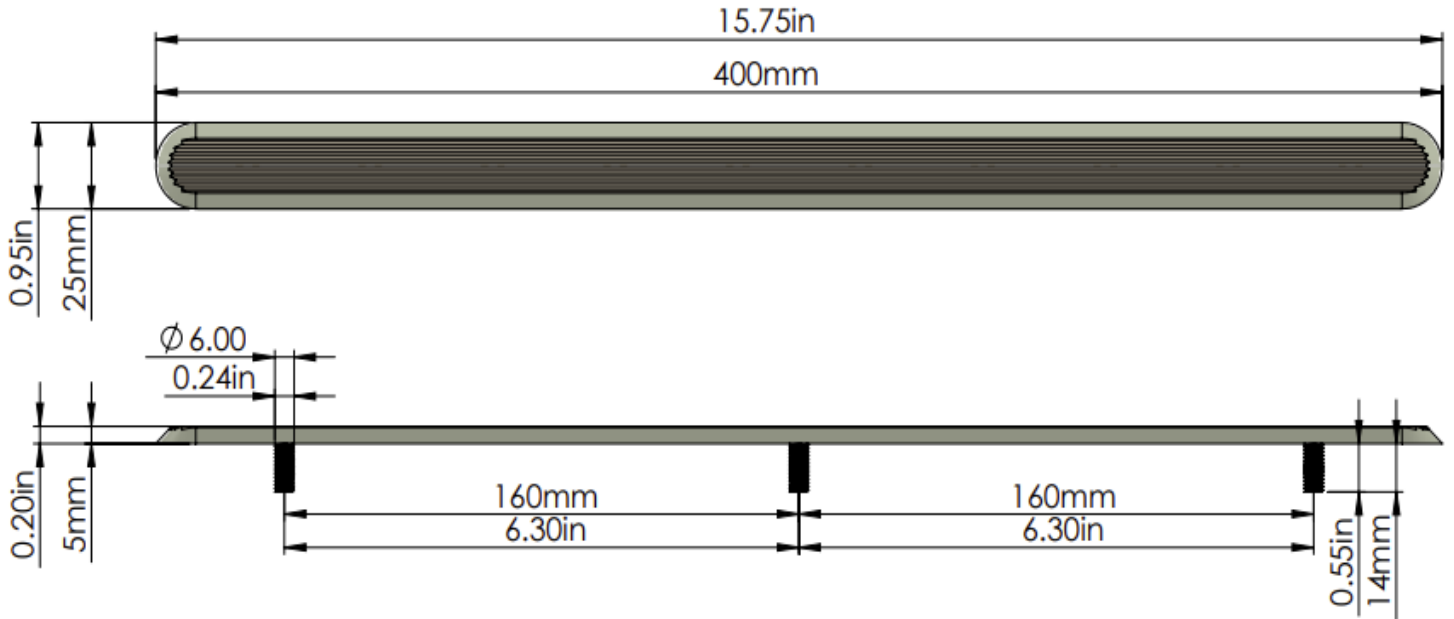


# Kent Ridge Tactile Warning Stud

Street Furniture



## Dimensions of the standard Ridge Strip





## Typical Strip Installation:

Note Before installation process: To ensure that the mortar adheres fully to the stud and pavement installation should be done in a dry environment.

Step 1: Drill x3 11mm  
(0.63") Diameter hole



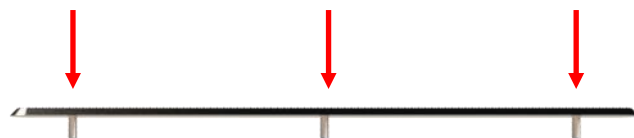
Step 2: Clean out the  
drilled hole.  
Vacuum or Blow clear.



Step 3: Fill with chemical  
mortar.



Step 4: Insert the Stud  
and leave to set for 24  
hours.



## Typical Strip Installation:



Note: When installing the Stud / Strip fixings it is important to use a strong construction adhesive such as [Mungo MIT-SE Plus](#) or another product similar to this.

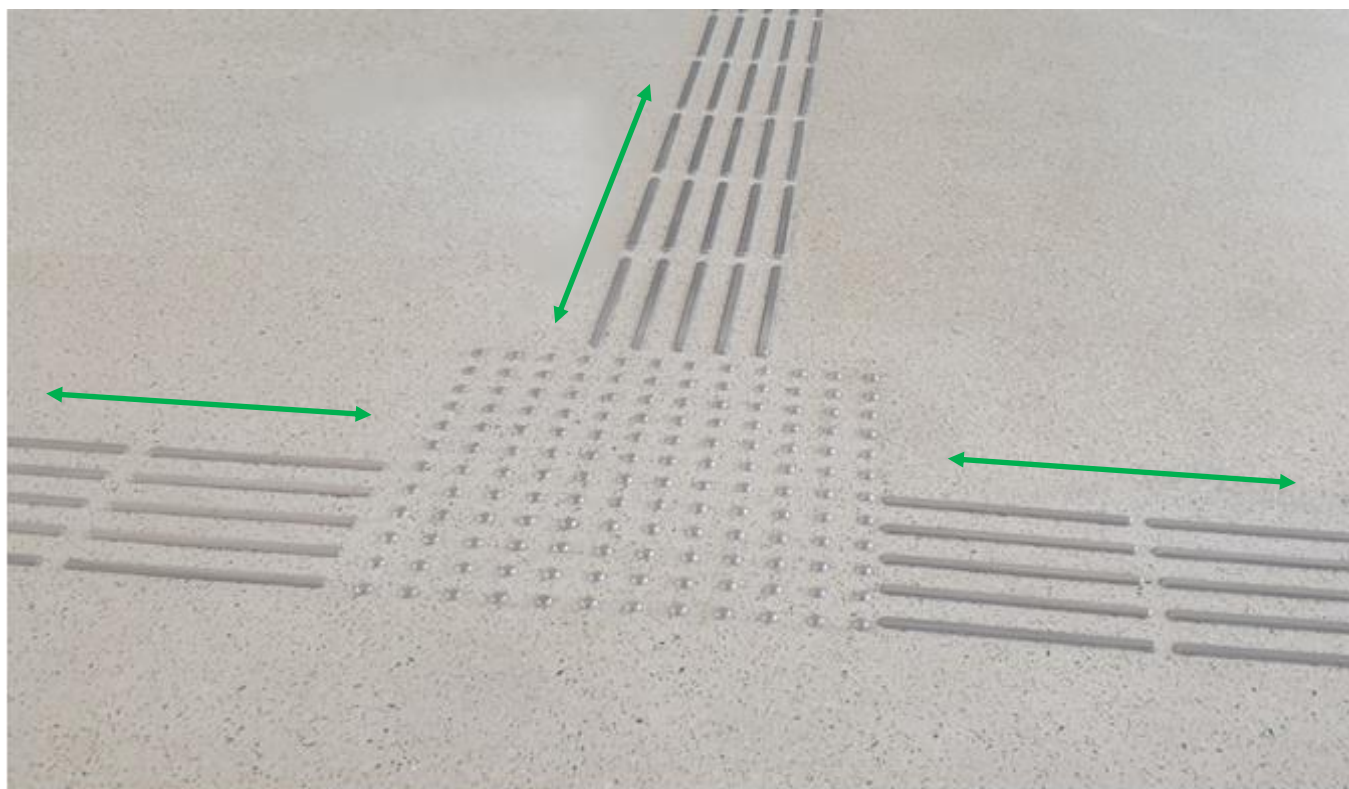
Note:

The standard amount of strips needed per meter squared is 28 strips.

The standard amount of strips needed per square feet is 28 for every 10 square feet .

## Typical Strip Installation:

When using the tactile strip products it may be worth considering the use of the tactile stud products. These can be used in tandem with the strip to help visually impaired people negotiate minor junctions and hazards. The strip can be used to lead the user in a linear direction while the stud can then be placed at the end of the delegated pathway to inform the user that there is either a junction or hazard approaching and that the user will have to negotiate a change in direction.



## Stainless Steel Maintenance:

Although corrosion resistant, Stainless Steel needs to be well looked after to have a long service life. Salt, Iron and Grit are the biggest contributors of discoloration on stainless steel products.

Clean the stainless-steel components using warm water with a mild detergent with a non-abrasive cloth or sponge. Heavier stains may require the use of a nylon scouring pad or a stainless-steel cleaner.

To remove paint or graffiti (or light concrete splashes) use a cloth and alkaline or solvent paint strippers according to type of paint. For Satin Finish Stainless try to follow the direction of the grain when cleaning vigorously or polishing. Rust spots or 'tea stains' can occur on the surface of the material, these are normally caused by contamination from ordinary mild steel, particularly in areas where construction work has been undertaken.

Where contamination of the stainless has occurred from ordinary mild steel coming into contact with the stainless, use Rust Remover 410. In cases where the surface is severely stained as a result of severe environmental conditions or scratched due to misuse, it may still be possible to restore the original finish using chemicals such as Oxalic Acid solution.





# Kent Ridge Tactile Warning Stud

Street Furniture



A partner you can rely on



### Contact us:



Phone:	+353 53 914 3216	Email:	info@kentstainless.com
UK Freephone:	0800 376 8377	Address:	Ardcavan, Wexford
USA:	718 374 7391		Ireland, Y35 CRW2

