

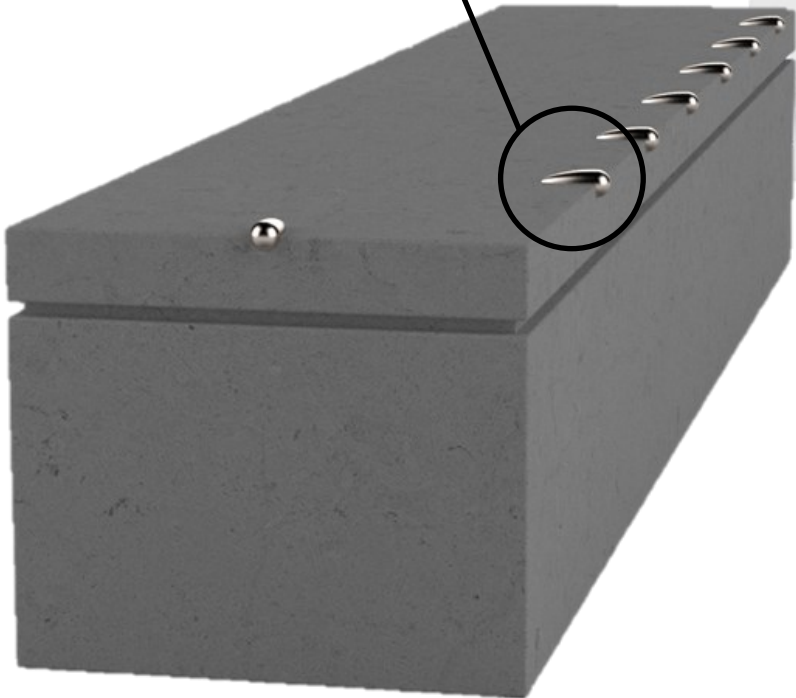
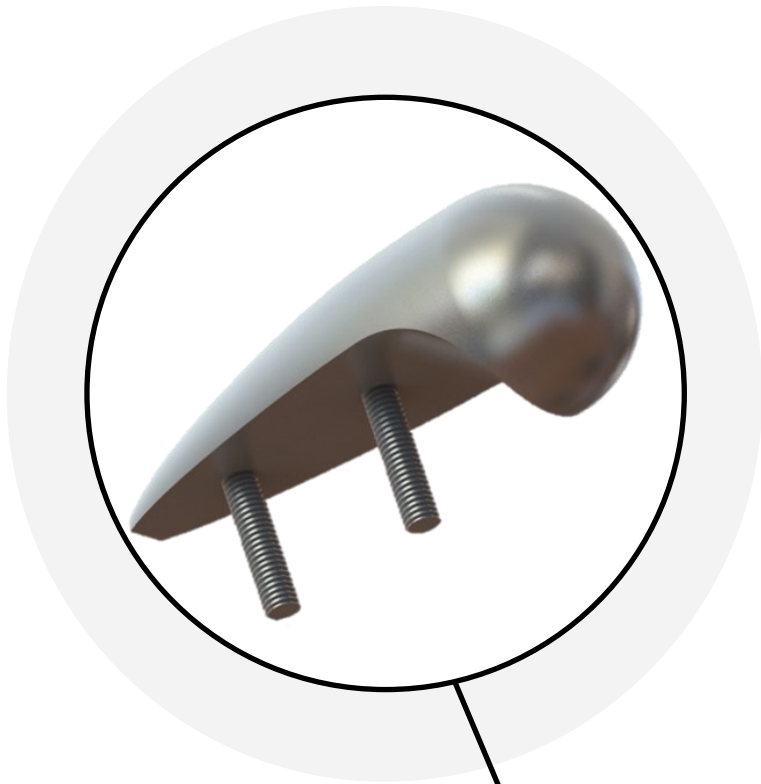


Kent
STAINLESS

04/2024

== **Kent Swoosh Anti Skate Stud** ==

KSASS 85/30/R15



Kent Swoosh Anti Skate Stud

Street Furniture



Kent
STAINLESS

Specify:

Kent Swoosh Anti Skate Stud (KSASS 85/30/R15); Grade 316 Stainless Steel; Dia: 30mm (1.18"), Length: 85mm (3.35"), Internal Radius of 15mm (0.59") ; 2nr 6mm (0.24") dia x 25mm (0.98") high studs, Polished Finish;

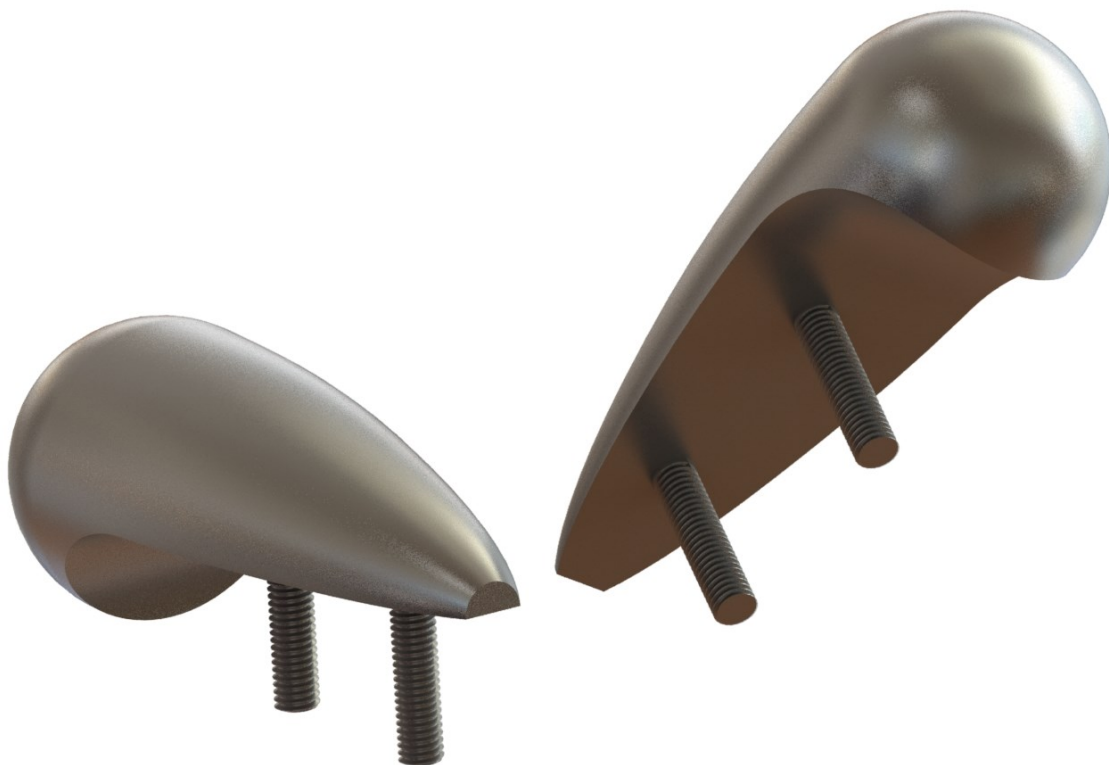
Description:

Kent Swoosh Anti Skate Studs are used to deter unwanted skateboarding in order to prevent damage to street furniture and stonework elements. The stud eliminates the long, smooth edges, so skateboarders can no longer 'grind' their boards along the edges.

The Stainless Steel material is ideal for high traffic pedestrian areas and it does not adversely effect the aesthetics of the elements they are protecting.

Features:

- Grade 316 Stainless steel
- 30mm (1.18")dia Sphere
- Polished Finish
- 2 Installation pins

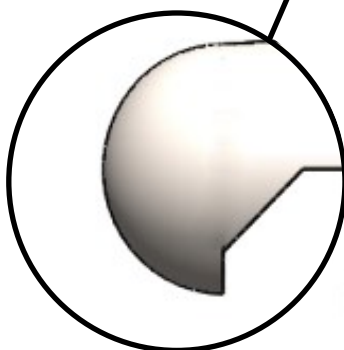
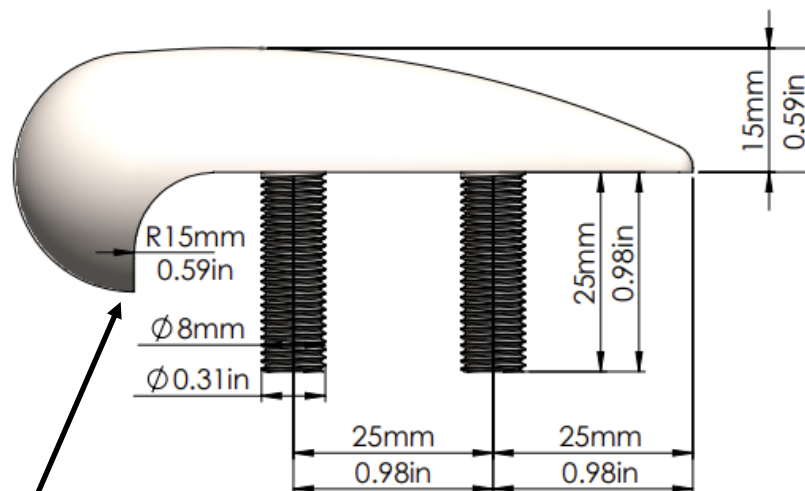
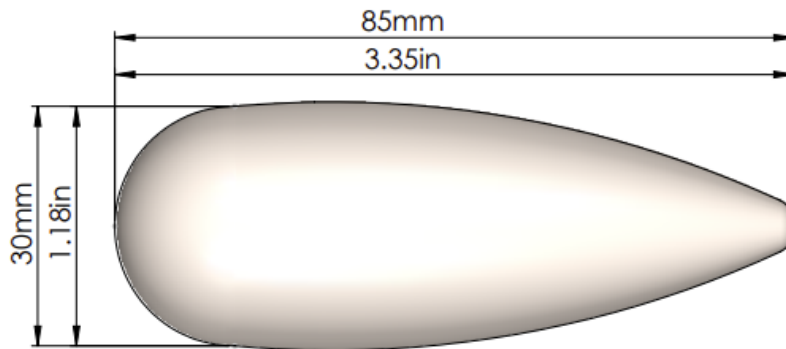


Kent Swoosh Anti Skate Stud

Street Furniture



Kent
STAINLESS



Note:
The section that sits on the edge of the chosen surface can come with a chamfer, radius or filleted finished so that it rests flush with the surface.

Product Code	Diameter	Length
Kent Swoosh Anti Skate Stud KSASS 85/30/R15	30mm	85mm
Kent Swoosh Anti Skate Stud KSASS 85/45/R15	45mm	85mm



Kent Swoosh Anti Skate Stud

Street Furniture



Kent
STAINLESS

TYPICAL STUD INSTALLATION:

Note Before installation process: To ensure that the mortar adheres fully to the stud and pavement installation should be done in a dry environment.

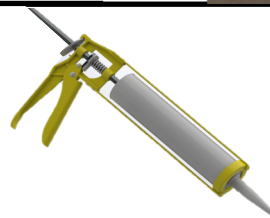
Step 1: Drill a 13mm (0.59") Diameter hole 30mm (1.18") deep.



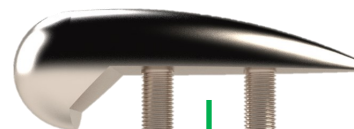
Step 2: Clean out the drilled hole. Vacuum or Blow clear.



Step 3: Fill with chemical mortar.



Step 4: Insert the Stud and leave to set for 24 hours.





Stainless Steel Maintenance.

Although corrosion resistant, Stainless Steel needs to be well looked after to have a long service life. Salt, Iron and Grit are the biggest contributors of rusting on stainless steel products.

Clean the stainless-steel components using warm water with a mild detergent with a non-abrasive cloth or sponge. Heavier stains may require the use of a nylon scouring pad or a stainless-steel cleaner.

To remove paint or graffiti (or light concrete splashes) use a cloth and alkaline or solvent paint strippers according to type of paint. For Satin Finish Stainless try to follow the direction of the grain when cleaning vigorously or polishing. For Bead Blasted Finish use a circular motion. Rust spots or 'tea stains' can occur on the surface of the material, these are normally caused by contamination from ordinary mild steel, particularly in areas where construction work has been undertaken.

Where contamination of the stainless has occurred from ordinary mild steel coming into contact with the stainless, use Rust Remover 410. In cases where the surface is severely stained as a result of severe environmental conditions or scratched due to misuse, it may still be possible to restore the original finish using chemicals such as Oxalic Acid solution.

At specification/design stage we always recommend a polish that uses electropolishing – e.g. Cold Rolled Electropolished or Bright Satin. These polishes combined with using grade 316L stainless will give your stainless project the best chance of an enduring pristine finish. Cleaning as described above once or twice per annum is sufficient in almost all locations. Proximity to salt water or a dry environment where rainwater cannot reach some stainless parts may need more frequent cleaning.





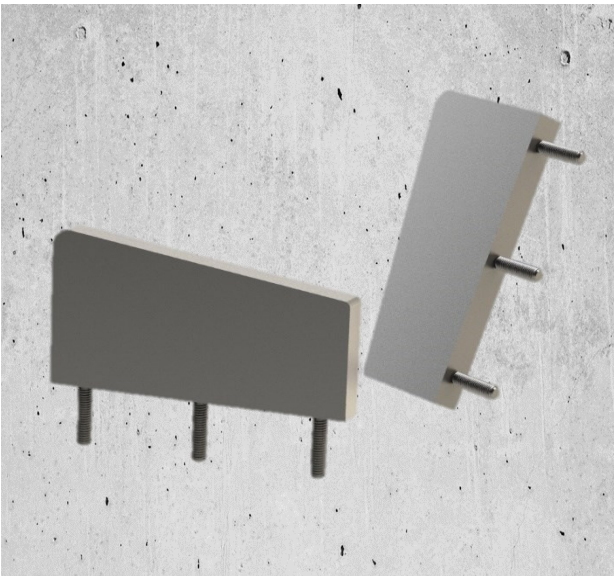
Alternative Anti-Skate stud options:



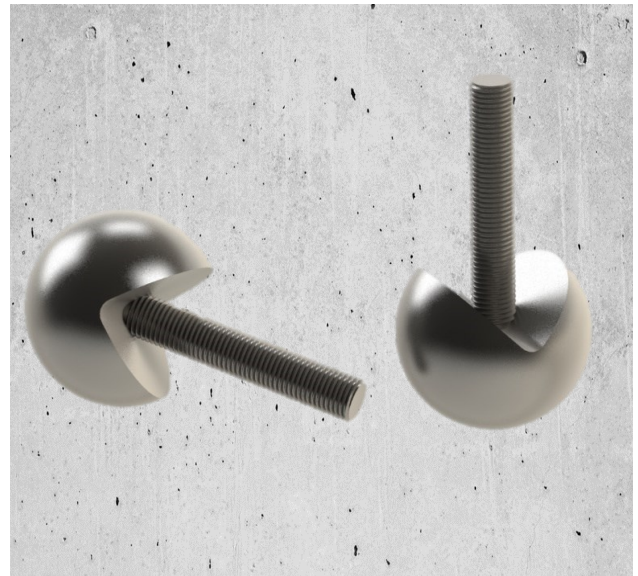
Kent Angle Anti Skate Stud



Kent Swoosh Anti Skate Stud



Kent Fin Anti Skate Stud



Kent Sphere Anti Skate Stud

All studs can be modified to customer specifications on request.





Kent
STAINLESS

A partner you can rely on



Contact us:



Phone:	+353 53 914 3216	Email:	info@kentstainless.com
UK Freephone:	0800 376 8377	Address:	Ardcavan, Wexford
USA:	718 374 7391		Ireland, Y35 CRW2

