

KENT OPEN UTILITY STATION

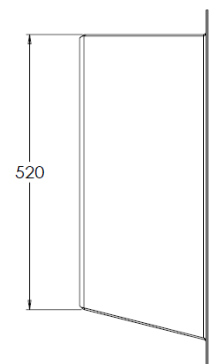
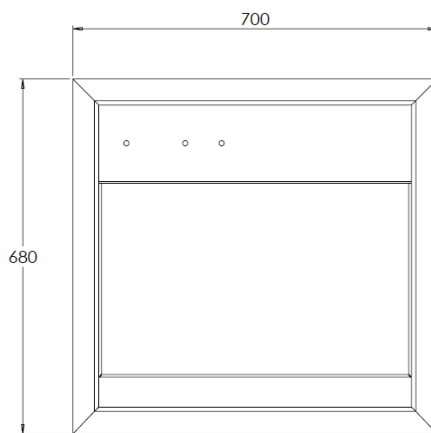
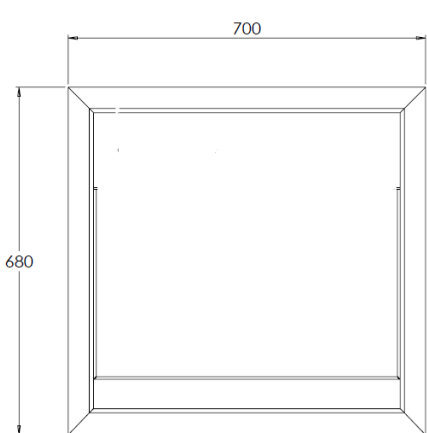
Kent Open Utility Stations, (KUS 700) are designed to house a range of electrical, pneumatic and mechanical services in cleanroom environments.

The utility stations can be easily cleaned with minimal crevices throughout the design.

The units are supplied blank for the MEP contractor to add a utility panel, or a panel can be supplied with cut-outs for 16a sockets, or 3/8" - 2" perforations for pro-

Features

- Grade 304L/316L Stainless Steel
- Satin finish 320 grit polished
- Hygienic design
- Customs sizes available



Product Code	Length	Depth	Height
KUS 350	350	240	680
KUS 700	700	240	680
KUS 1200	1200	240	680

Specify

