

The KV215/110V Gully is a Vinyl Edge variation of our standard KV215/110 Gully. They are designed for use primarily in Commercial Kitchens with Vinyl Floors typically in Hospitals, Retail Outlets

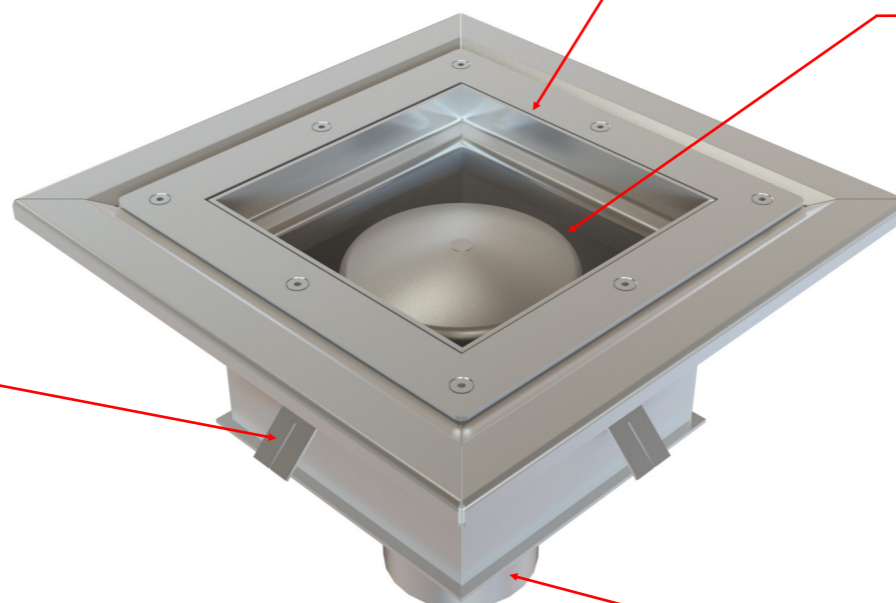
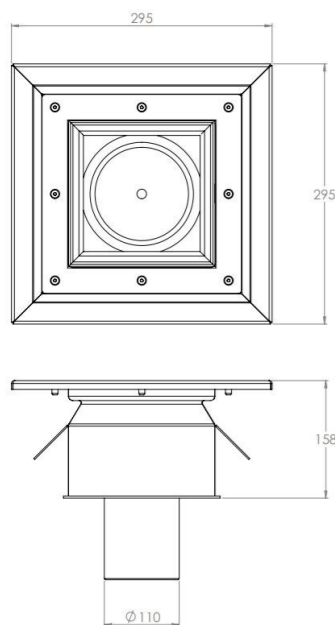
They are low cost, normally ex stock. While the construction of this gully body is heavy duty, in reality most vinyl floor areas are only trafficked by pedestrians so this is most chosen with a pedestrian loading cover (Perforated or Mesh)

The KV215/110V standard gully is best suited to 3mm thick covers that are made to sit in a 10mm recess (Perforated Gratings, Mesh and Ladder Gratings). The kv215/110DSV version of this gully (DS= Deep Swage) takes all 25mm deep gratings offered by Kent (most often Mesh, Heelproof Mesh Gratings).

In most cases a 110mm or 160mm outlet is required, but this can easily be substituted for a 4" or 6" SCH10 outlet pipe. It is trapped as standard with the Kent Bell Trap.

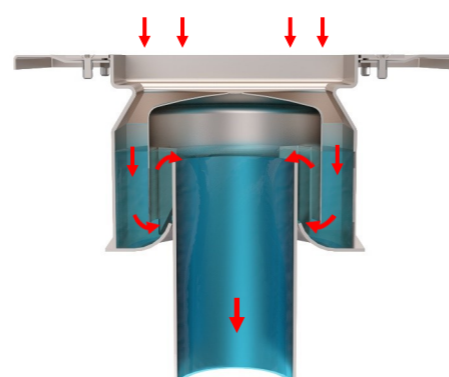
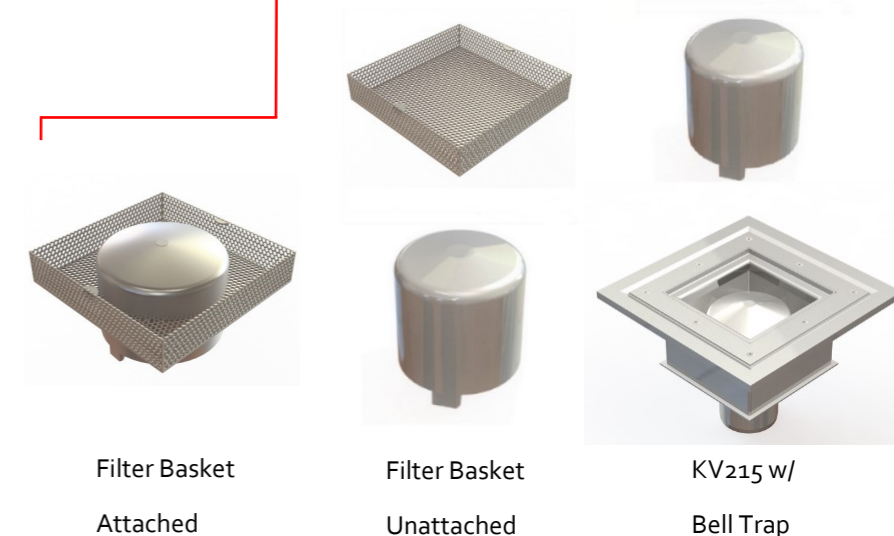
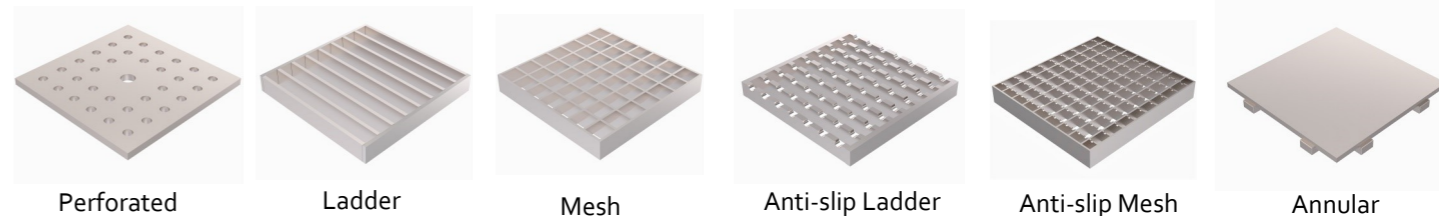
Features:

- Grade 304 (1.4301) or 316 (1.4401) Stainless Steel to BS EN 10088
- Low cost
- Strong
- Short lead time
- Usable in both heavy and light duty areas
- Suitable for Commercial Kitchens and other areas using flexible flooring



GRATING OPTIONS

FACTORIES



Product Code	Height	Width	Depth	Outlet	Swage	Flow Rate*
KV215/110V	158	215	215	110	10	3.94l/s
KV215/110DSV	173	215	215	110	25	4.34l/s
KV315/110V	158	315	315	110	10	3.94l/s
KV315/110DSV	173	315	315	110	25	4.34l/s
KV315/160V	188	315	315	160	10	10.20l/s
KV315/160DSV	203	315	315	160	25	11.70l/s

*flow rate is also dependent on grating chosen.

Specify: Kent KV215/110V trapped industrial gully for vinyl floor; 215mm x 215mm; grade 304 stainless steel; complete with _____ grating.

Choose the product code from the dimensions table above.

Add specification options from the next page.

BS EN1253 Loading Class L15 / R50 / M125 / N250 / P400

Our internal gullies can be subjected to very heavy loads but must have the correct heavy duty grating to achieve these loads. Suitable for Commercial Kitchens.