

The KVV225 (PF) Gully is a round top stainless steel gully for vinyl and flexible floor areas. It is supplied as standard with a lockdown perforated grating and foul air trap. An optional strainer is offered. The Adjustable Height Bodies allow for optional flanges and side inlets to be included, simply specify any additional modifications required.

The drain is commonly used in labs, hospitals, commercial kitchens, nursing homes, shower and wet room areas and bathroom pods.

The perforated drain top is the most commonly chosen top for nursing homes as the perforations reduce the possibility of lost jewellery.

Features:

- Grade 304 (1.4301) or 316 (1.4401) Stainless Steel to BS EN 10088
- Satin finish as standard
- Customised perforated patterns available
- Ex stock
- Lock down as standard



Top Part with Plain Top and Foul Air Trap as standard. Simply add the suffix (PF) to the specifications for the perforated option

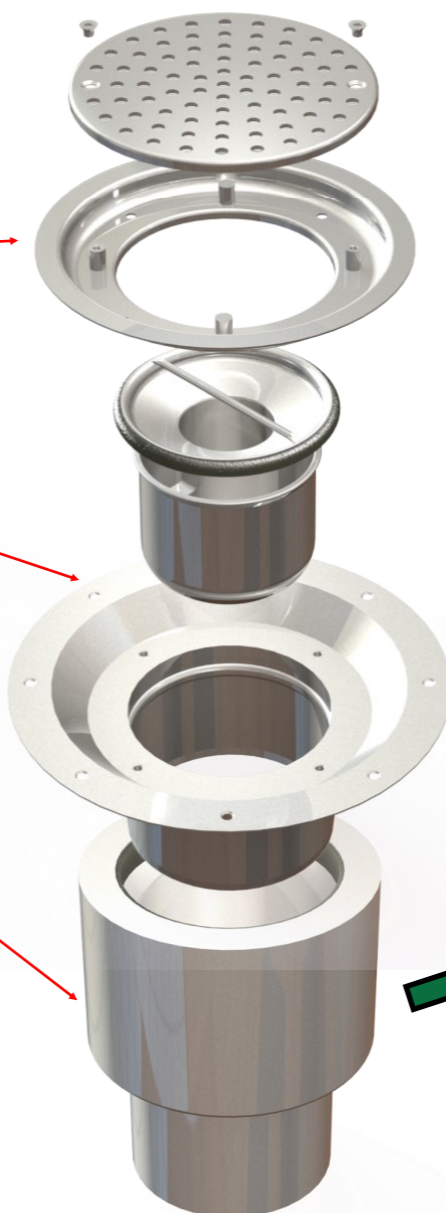
Optional Strainer

Adjustable Height Bodies allows addition of Flanges and Side Inlets and choice of side/bottom outlet

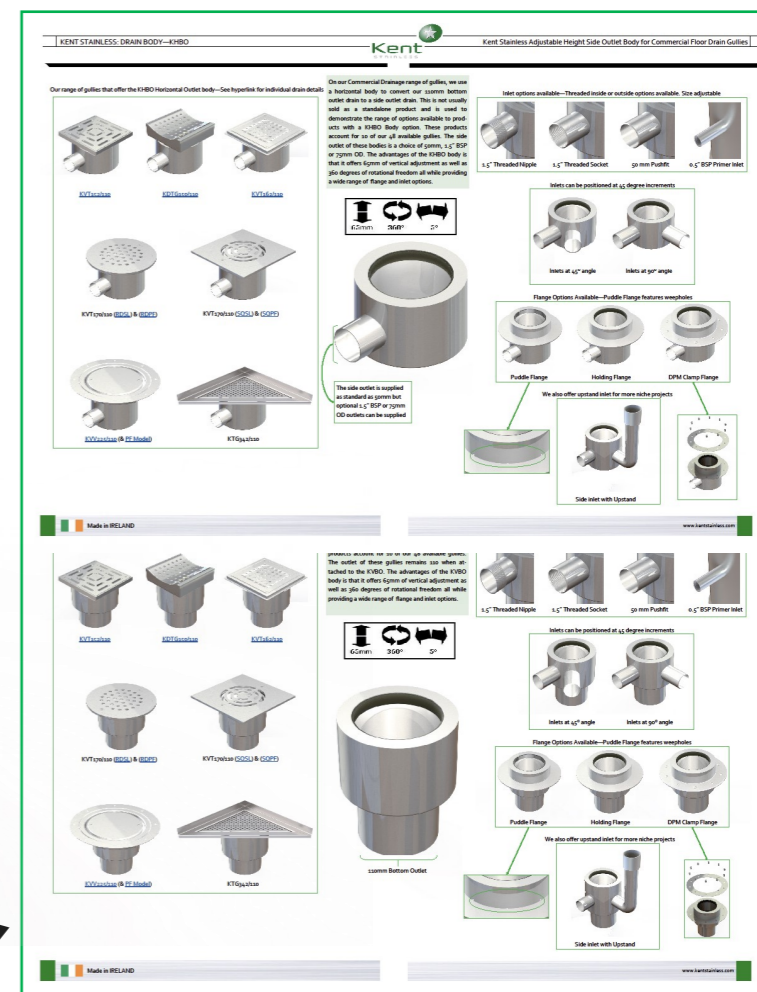
Top Part Only

Adjustable Height Bottom Outlet (KVBO Body)

Adjustable Height Side Outlet (KHBO Body)

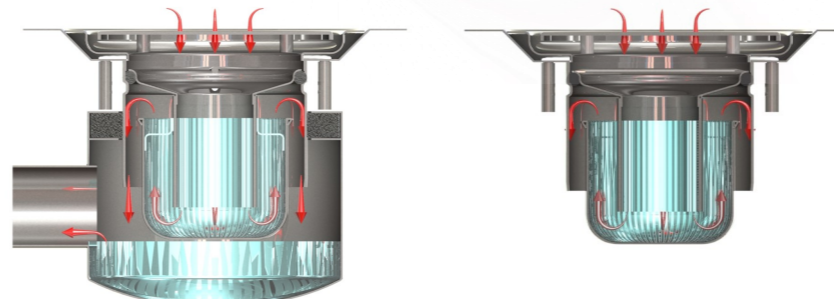


For Body Modifications, see the KVBO and KHBO Product Pages



Product Code	Height	Diameter	Outlet	Flow Rate*	Description
KVV225/110TP	94	225	110	1.4l/s	Top Part Only Bottom Outlet 110mm
KVV225/110	200-250	225	110	1.4l/s	Adjustable Height 2 Part Bottom Outlet
KHV225/50	140-185	225	50	0.9l/s	Adjustable Height 2 Part Side Outlet 50mm
KHV225/1.5"BSP	140-185	225	1.5"BSP	0.9l/s	Adjustable Height 2 Part Side Outlet 1.5"BSP
KFT110					110mm Trap with 50mm water seal

Specify: Kent KVV225/110TP Floor Gully. 225mm diameter, add suffix - (PF) for perforated grate, fixed/adjustable height vinyl floor drain. Grade 304 stainless steel with a satin polish finish, supplied with KFT110 Trap.



Waterflow for Adjustable Height Bodies

BS EN1253 Loading Class K3
Our internal gullies are suitable for pedestrian and barefoot areas.
(BS EN1253 Gullies & Buildings)