

KENT CEILING ACCESS PANEL

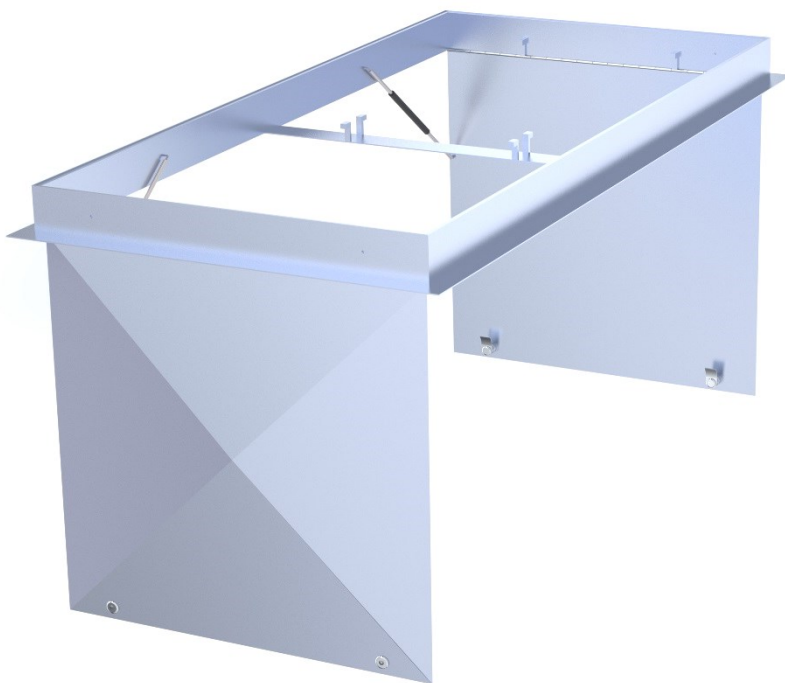
The KCAP1400DD is a stainless steel double door ceiling access panel. A full length piano hinge on each door and 2 triangular pawl latches per door keep this secure in place. When unlocked, a gas ram on each door ensures a safe smooth slow opening.

These units have excellent hygienic properties and are virtually maintenance free. They are designed for clean room applications.

A typical double door unit is shown—single door units and customised sizes available.

Features

- Grade 304L Stainless Steel
- Suitable for cleanroom, sterile rooms, food processing and research areas.
- Satin finish 320 grit polished
- Fitted with triangular pawl latch locks
- Full Length Piano Hinge
- 90° Door opening



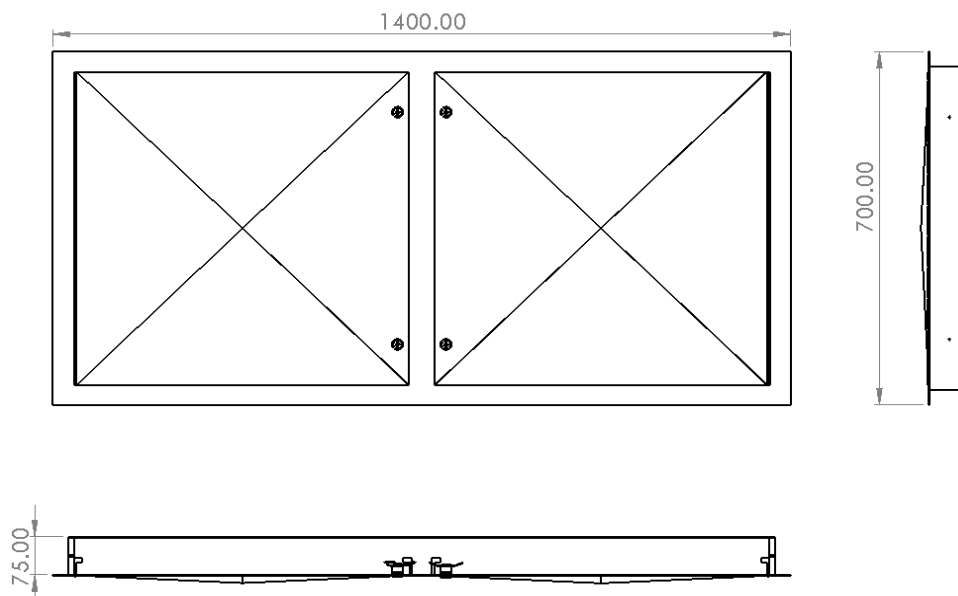
Triangular Lock



Piano Hinge



Gas Ram



KENT CEILING ACCESS PANEL

Product Code	Length	Width	Depth
KCAP1400DD	1400	700	75
KCAP700SD	700	700	75

DD = Double Door, SD = Single Door

Specify

Choose your steel:
Grade 304L Stainless steel
Grade 316L Stainless steel

Specify:
 Kent Ceiling Access Panel Double Door (KCAP1400DD); Grade 304L Stainless Steel;
 1400x700x75; 320 Grit Satin Polish

Customise your size
go with our standard size
1400x700x75mm
(see page 1 for details) or
specify your own dimensions

