

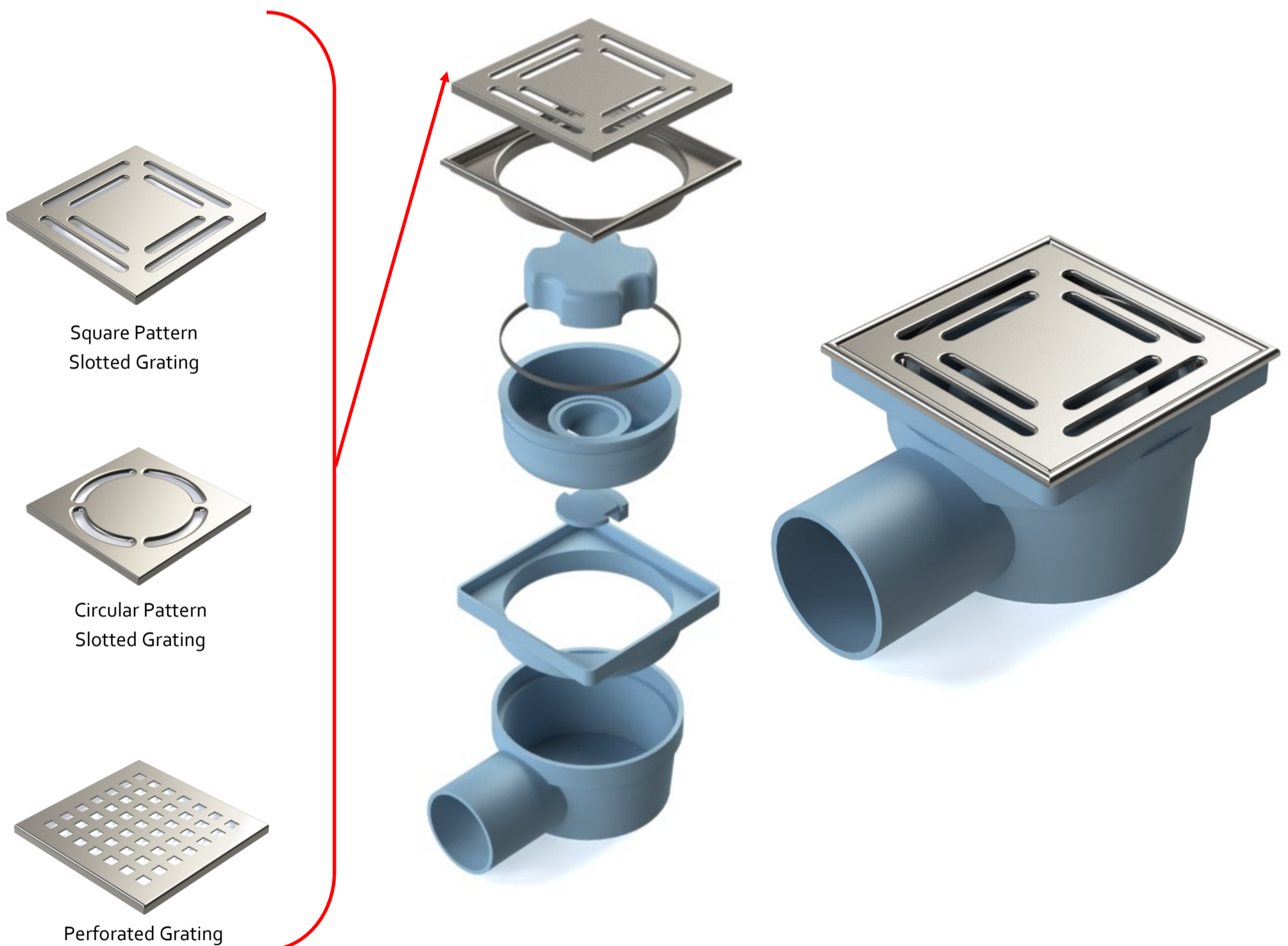
Stainless Steel Balcony Drain

The Kent KBD 100/50 2 part balcony drain has been developed specifically for the Middle East residential market. It is ideal for use in apartment complexes, villa compounds, ablution and public washroom areas. The balcony drains are manufactured in grade 304 stainless steel with a satin finish as standard. The drains have a 50mm diameter outlet as standard

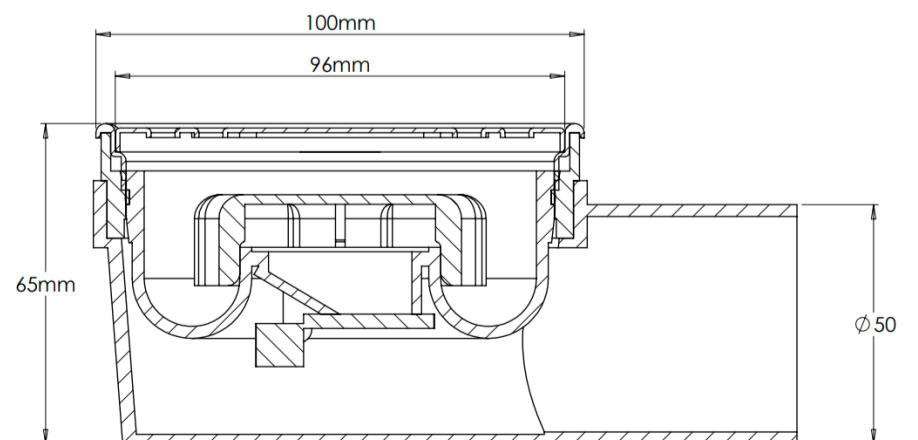
Features

- Grade 304 Stainless Steel
- 50mm Diameter outlet
- Satin finish as standard

Specify: Kent Balcony Drain KBD100/50. 100x100mm, 2 part Balcony drain Grade 304 stainless steel with a satin polish finish.



Product Code	Height	Length/Width	Outlet	Flow Rate
KBD100/50	65mm	100mm	50mm	0.71 l/s



BS EN1253 Loading Class K3

 Made in IRELAND