



Kent Flat Top Light Bollard



Kent Flat Top Light Bollard KIB-101/3

Specify:

Kent Flat Top Light Bollard KIB-101/3; 101mm diameter; 3mm wall; Grade 316L Stainless Steel; Bright Satin Finish; Cast in.

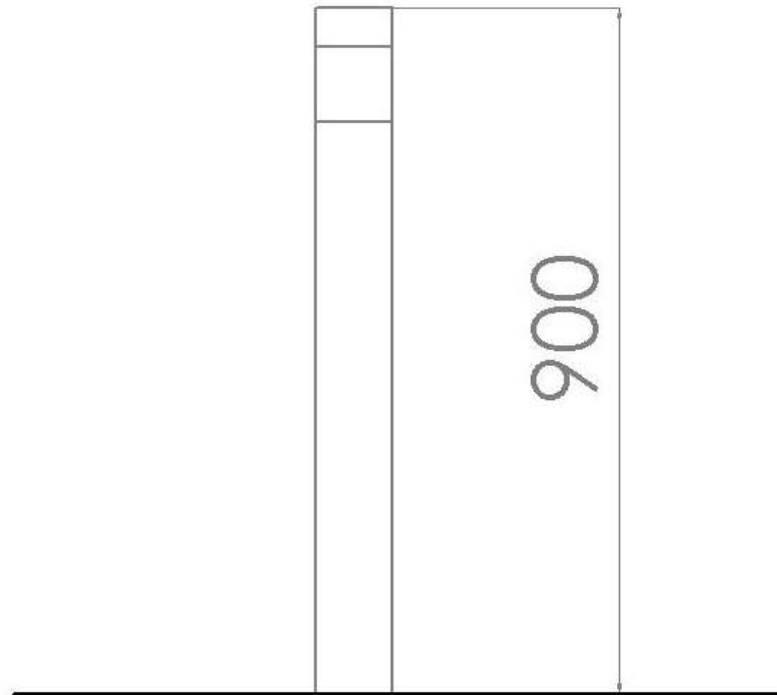
The Kent Flat Top Light Bollard is constructed from Grade 316L Stainless Steel with a 3mm thick body. The bollard is supplied pre wired with an E27 ceramic bulb holder. The frosted polycarbonate lens offers vandal resistance with IP67 rated ingress protection. An 8W energy saving CFL lamp is used giving over 8000 hours of usage. This lamp is accessed via a tamper proof screw positioned on the head of the bollard.

Features:

- Satin polished finish (Polished to 0.5 RA)
- 8W energy saving CFL lamp
- Prewired for 240V
- 3.05mm wall thickness
- Grade 316 Stainless steel
- IP67 rates polycarbonate lens



Kent Flat Top Light Bollard KIB-101/3



Product Dimensions:

Reference	Height	Diameter	Thickness
Kent Flat Top Light Bollard (KIB-101/3)	900mm	101mm	3mm

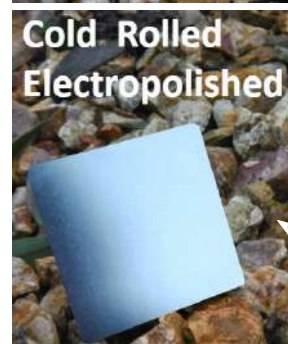
Stainless Steel Finishing Options

There are several finishing options to choose from when purchasing a Kent Bollard:

Bead Blasted: Our Bead Blasting Facility cleans Stainless Steel with a consistent finish throughout. Bead Blasting will leave welded joints and any abnormalities in the steel work with a clean and consistent finish. We also Bead Blast items that have been installed over a number of years that require refurbishment or cleaning

Satin Finish 320 Grit Polished: The removable tree grille is similar to the tree grille option except there is an added release mechanism which allows for access to the base of the tree by the removal of the grille.

Electropolished: Electropolishing removes surface material, beginning with the high points within the microscopic surface texture. By removing these points, the electropolishing process will improve the surface finish of a metal such as stainless steel, nickel, aluminium and hastelloy, leaving a smoother and more reflective surface.



Kent Flat Top Light Bollard KIB-101/3

Overview

The Kent Flat Top Light bollard KFTLB-101/3 is constructed from 316 grade stainless steel with a 3mm thick body. The bollard is supplied pre wired with an E27 ceramic bulb holder. The frosted polycarbonate lens offers vandal resistance with IP67 rated ingress protection.

An 8W energy saving CFL lamp is used giving over 8000 hours of usage. This lamp is accessed via a tamper proof screw positioned on the head of the bollard.

Stainless Steel Maintenance

Clean the stainless steel components using warm water with a mild detergent with a non abrasive cloth or sponge. Heavier stains may require the use of a nylon scouring pad or a stainless steel cleaner. To remove paint or graffiti (or light concrete splashes) use a cloth and alkaline or solvent paint strippers according to type of paint. For Satin Finish Stainless try to follow the direction of the grain when cleaning vigorously or polishing. For Bead Blasted Finish use a circular motion. Rust spots or 'tea stains' can occur on the surface of the material, these are normally caused by contamination from ordinary mild steel, particularly in areas where construction work has been undertaken. Where contamination of the stainless has occurred from ordinary mild steel coming into contact with the stainless, use Rust Remover 410. In cases where the surface is severely stained as a result of severe environmental conditions or scratched due to misuse, it may still be possible to restore the original finish using chemicals such as Oxalic Acid solution. There are many stainless steel polishes available to enhance the surface finish. We recommend Mister Stainless Ltd. as a provider for stainless steel cleaning products

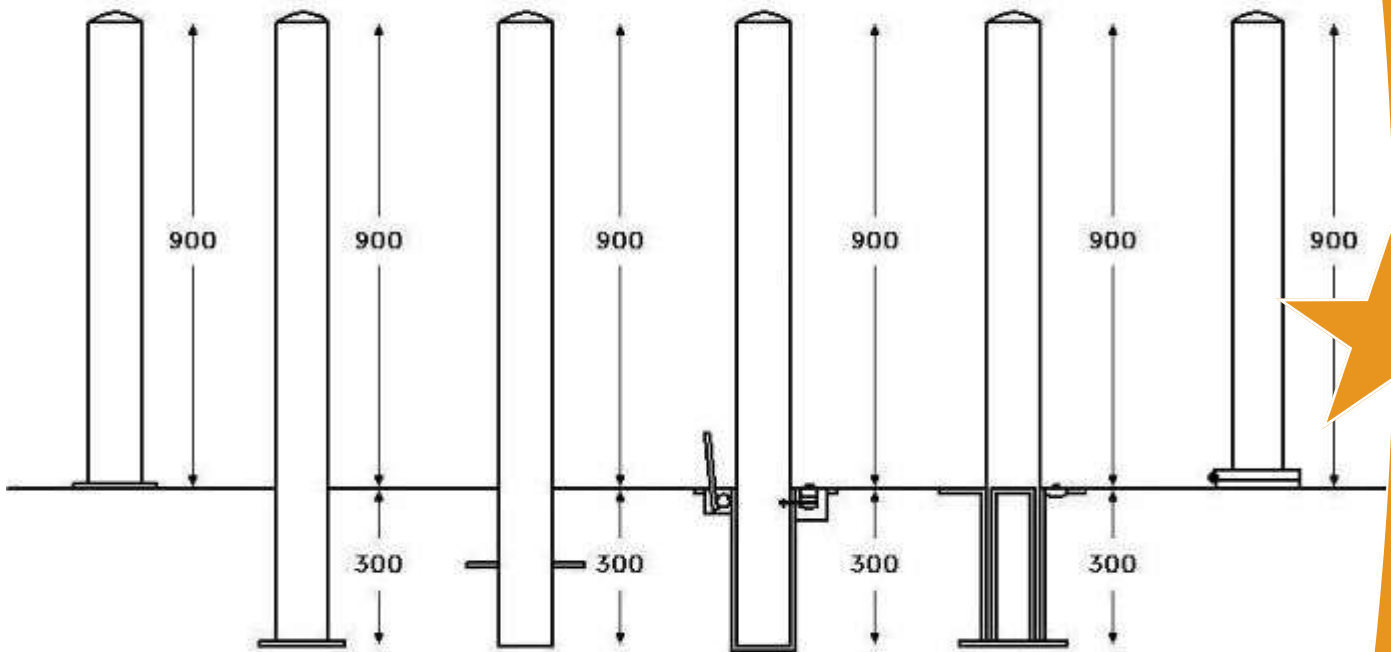


Kent Flat Top Light Bollard

KIB-101/3

Our Range of Bollards

Visible Flange Buried Flange Cast In Removable Flip Removable Hidden Lock Socket Fold Down



Kent Flat Top Light Bollard KIB-101/3

Bollard Installation

Visible Flange:

- Ensure that the surface to which the bollard is mounted is sufficiently strong.
- Position the bollard in the correct location. Mark the holes and drill into the surface.
- Place the bollard directly over the holes and then fix the bollard to the surface using M12 bolts.
- Note that fixings need to be fully embedded in concrete not just the paver blocks.
- Always consult with the engineers specifications—we recommend a minimum of 2 times the root length.

Buried Flange:

- Cast foundations—always consult with engineers specifications—we recommend a minimum of 2 times the buried root length (300mm x 2 = 600mm) and times the bollard diameter (eg 3 x 101mm = 303mm).
- Once concrete is set follow steps 1-3 as per flange detail above.
- Replace slabs to finish off bollard.

Cast In:

- Cast foundations—always consult with engineers specifications — we recommend a minimum of 2 times the buried root length (300mm x 2 = 600mm) and 3 times the bollard diameter (101mm x 3 = 303mm).
- Position your bollard in the correct position ensuring correct height and then prop the stand securely. Fill the hole with concrete up to the level of the underside of the pavement ensuring a good smooth surface finish.
- Remove props, replace the paving slabs and ensure that they are well bedded in.

Removable Hidden Lock Socket and Removable Flip Lid Socket

- Remove pavement in the location the bollard will be placed. Excavate a hole of minimum 400mm LxWxD.
- Place socket of bollard into the hole ensuring the top surface of the socket meets the top surface of the pavement.
- Fill the hole with concrete leaving sufficient space for pavement.
- When set finish off pavement around socket and place bollard into the socket.

**Kent Flat Top
Light Bollard
KIB-101/3**

