



Kent Hidden Lock Flip Lid Socket



Kent Hidden Lock Flip Lid Socket KHLFLS

Specify:

Kent Hidden Lock Flip Lid Socket KHLFLS; Grade 316L Stainless Steel; Bright Satin Finish; to suit 101mm Diameter Bollard;

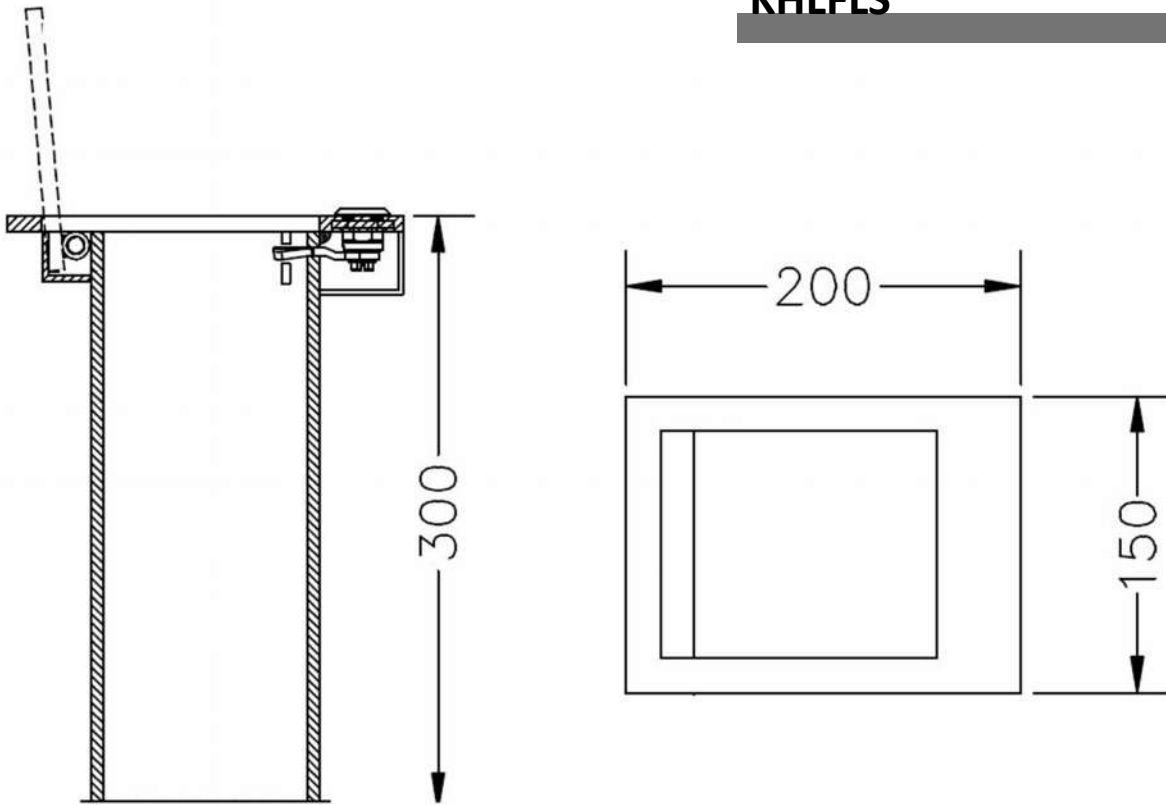
The Kent Hidden Lock Flip Lid Socket is a removable socket for a bollard. It can cater for different size bollards. The bollard is secured by a internal lock which is twisted into a slot in the bollard by a key. To remove the bollard unlock the lock by twisting the key then lift the bollard out and place the flip lid in to the horizontal position so it lies flush with the top of the socket.

Features:

- Satin Polish Finish to 320 grit
- Flip lid socket with security lock
- Various types of suitable bollards available
- Flush socket with no trip hazards
- Grade 316L stainless steel as standard



Kent Hidden Lock Flip Lid Socket KHLFLS



Product Dimensions:

Reference	Height	Width	Depth	Bollard Diameter
Kent Hidden Lock Flip Lid Socket KHLFLS-101	300mm	200mm	150mm	101mm
Kent Hidden Lock Flip Lid Socket KHLFLS-114	300mm	215mm	175mm	114mm
Kent Hidden Lock Flip Lid Socket KHLFLS-141	300mm	230mm	200mm	141mm
Kent Hidden Lock Flip Lid Socket KHLFLS-168	300mm	260mm	220mm	168mm



Kent Hidden Lock Flip Lid Socket KHLFLS

Overview

The Kent Hidden Lock Flip Lid Socket is a removable socket for a bollard. It can cater for different size bollards. The bollard is secured by an internal lock which is twisted into a slot in the bollard by a key. To remove the bollard unlock the lock by twisting the key then lift the bollard out and place the flip lid in to the horizontal position so it lies flush with the top of the socket.

Stainless Steel Maintenance

Clean the stainless steel components using warm water with a mild detergent with a non-abrasive cloth or sponge. Heavier stains may require the use of a nylon scouring pad or a stainless steel cleaner. To remove paint or graffiti (or light concrete splashes) use a cloth and alkaline or solvent paint strippers according to type of paint. For Satin Finish Stainless try to follow the direction of the grain when cleaning vigorously or polishing. For Bead Blasted Finish use a circular motion. Rust spots or 'tea stains' can occur on the surface of the material, these are normally caused by contamination from ordinary mild steel, particularly in areas where construction work has been undertaken. Where contamination of the stainless has occurred from ordinary mild steel coming into contact with the stainless, use Rust Remover 410. In cases where the surface is severely stained as a result of severe environmental conditions or scratched due to misuse, it may still be possible to restore the original finish using chemicals such as Oxalic Acid solution. There are many stainless steel polishes available to enhance the surface finish. We recommend Mister Stainless Ltd. as a provider for stainless steel cleaning products



Kent Hidden Lock Flip Lid Socket KHLFLS

Specify:

Kent Hidden Lock Flip Lid Socket KHLFLS; Grade 316L Stainless Steel; Bright Satin Finish; to suit 101mm Diameter Bollard; Triangular Lock & Key.

Kent Hidden Flip Lid Socket KPFLS

- KHLFLS-101
- KHLFLS-114
- KHLFLS-141
- KHLFLS-168

Finish

- Bright Satin
- Satin 320 Grit Polished
- Bright Peened
- Shot Peened
- Cold Rolled Electropolished

Bollard Fit

- 101mm Diameter Bollard
- 114mm Diameter Bollard
- 141mm Diameter Bollard
- 168mm Diameter Bollard

Lock & Key

- Double Bit 5
- Triangular 7
- Crown Type



**Kent Hidden
Lock Flip Lid Socket
KHLFLS**

