

The KVT170 (SQPF) Gully is a square top stainless steel gully with Circular Perforated Grating for tiled and poured floor areas. It has a heavier duty top than our KVT162 and can take heavier traffic

The Foul Air Trap comes as standard with an optional Strainer.

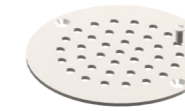
The Adjustable Height Bodies, both bottom outlet and side outlet, allows for optional flanges and side inlets to be included, simply specify any additional modifications required.

- Features:**
- Grade 304 (1.4301) or 316 (1.4401) Stainless Steel to BS EN 10088
 - Satin finish as standard
 - Customised patterns available
 - Ex stock
 - Lock down as standard

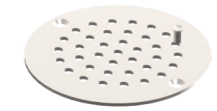
Please choose the grating that best fits the traffic on it



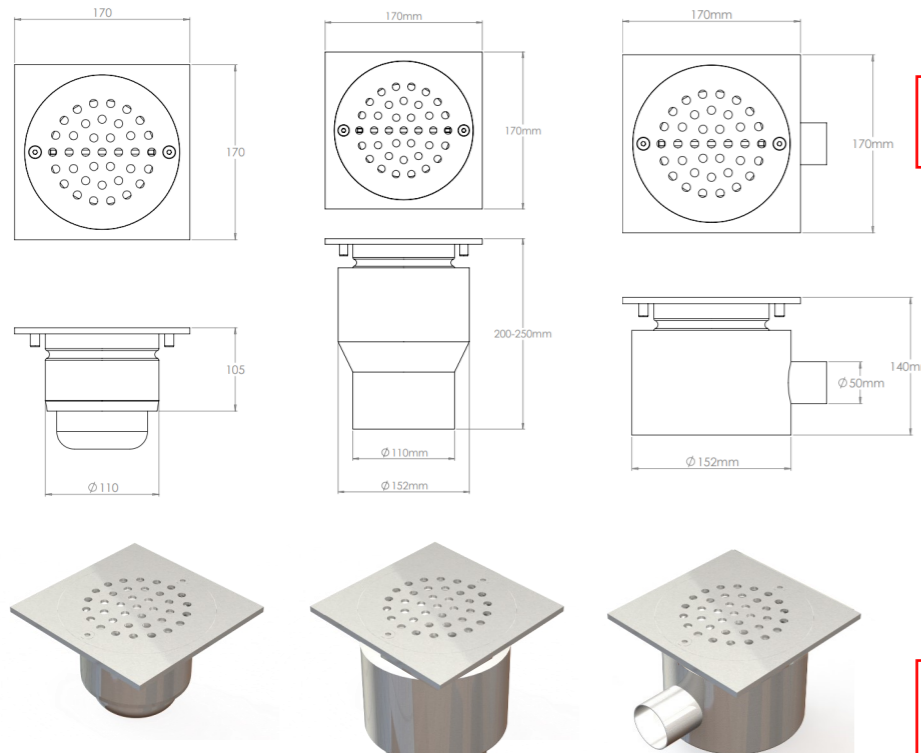
Standard 5mm thick grating for dynamic pedestrian and vehicle traffic



Lighter 3mm thick grating for pedestrian traffic only



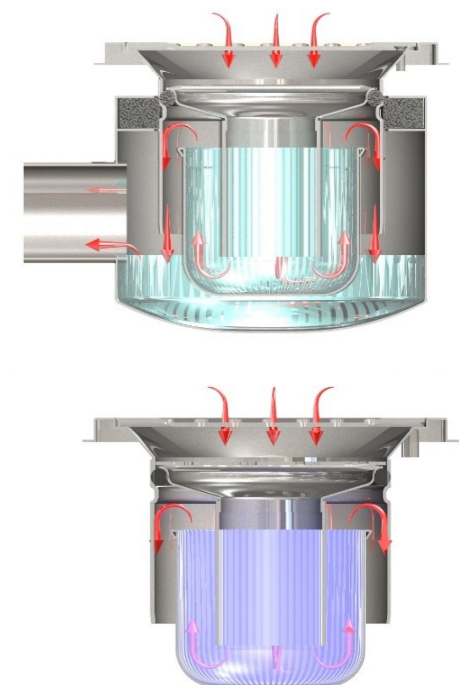
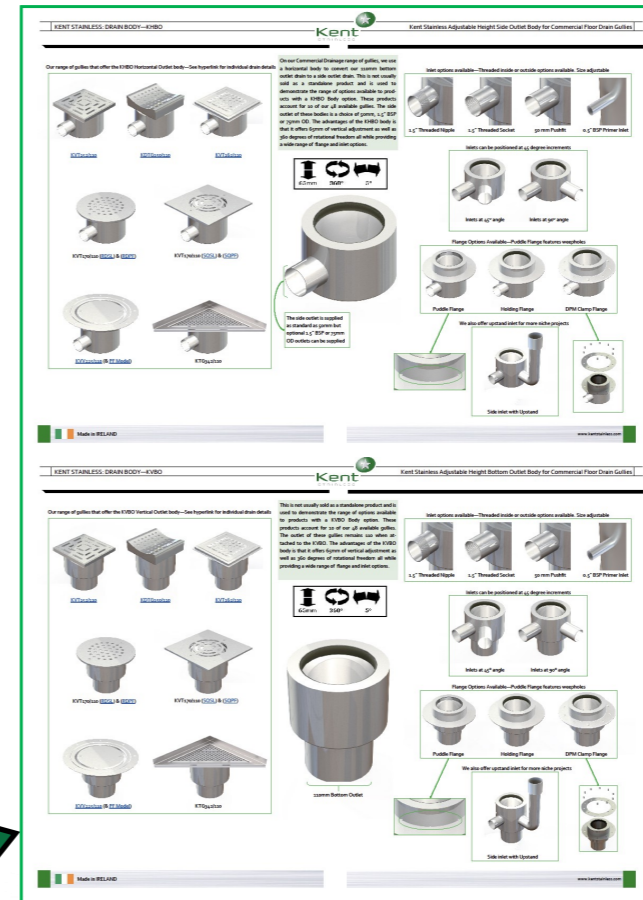
Heavier 8 or 10mm thick grating for heavy vehicular traffic



Top Part with Slotted Grate and Foul Air Trap as standard



Adjustable Height body part allows for addition of Flanges and Side Inlets and choice of Bottom/Side outlet



Waterflow for Adjustable Height Bodies

Product Code	Height	Width	Depth	Outlet	Flow Rate*	Description
KVT170/110TP (SQPF)	105	170	170	110	1.4l/s	Top Part Only Bottom Outlet 110mm
KVT170/110 (SQPF)	200-250	170	170	110	1.4l/s	Adjustable Height 2 Part Bottom Outlet
KHT170/50 (SQPF)	140-185	170	170	50	0.9l/s	Adjustable Height 2 Part Side Outlet 50mm
KHT170/1.5"BSP (SQPF)	140-185	170	170	1.5"BSP	0.9l/s	Adjustable Height 2 Part Side Outlet 1.5"BSP
KFT110						110mm Trap with 50mm water seal

Specify: Kent KVT170/110TP (SQPF) Floor Gully. 170mm x 170mm, fixed/adjustable height floor drain. Grade 304 stainless steel with a satin polish finish, supplied with KFT110 Trap.

BS EN124 Loading Class A15 / B125 / C250 / D400
 Our external gullies can be subjected to very heavy loads but must have the correct heavy duty grating to achieve these loads. Suitable for Streetscapes.
 (BS EN124 Gullies for Vehicular & pedestrian areas)

BS EN1253 Loading Class K3 / L15 / R50 / M125 / N250 / P400
 Our internal gullies can be subjected to very heavy loads but must have the correct heavy duty grating to achieve these loads. Suitable for Commercial Kitchens.
 (BS EN1253 Gullies & Buildings)