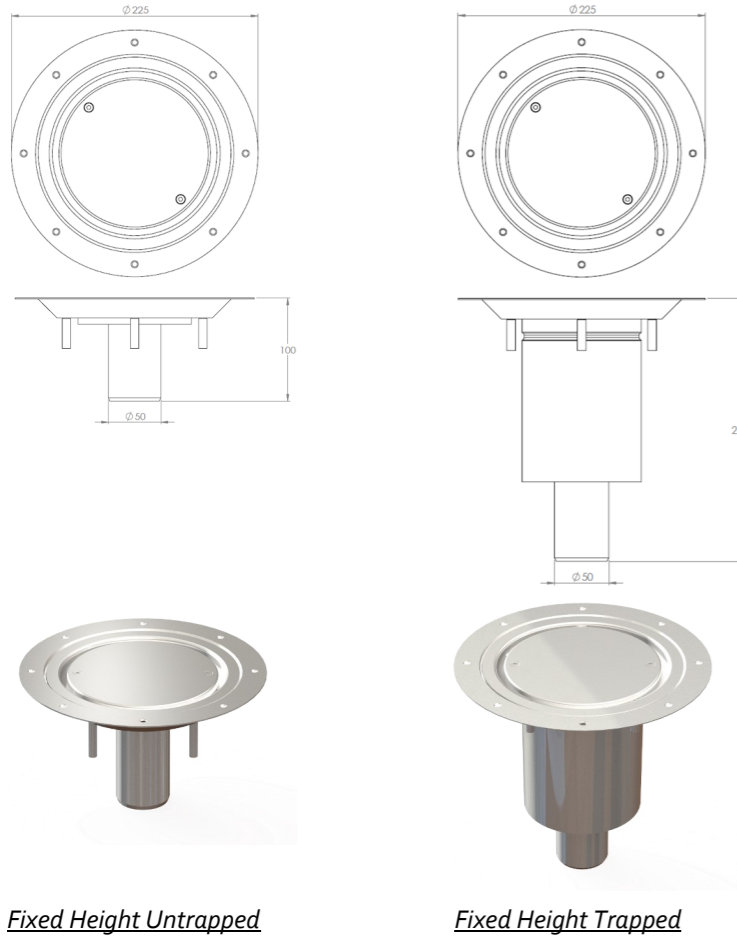


The KVV225/50 Gully is a modified version of the KVV225/110 Gully to suit a 50mm push fit bottom outlet. It is supplied as standard with a lockdown plain top grating. The KVV225 are designed for vinyl and flexible floor areas. The Foul Air Trap comes as standard on the trapped version with an optional Strainer available for both models. The Trapped Model allows for optional flanges and side inlets to be included, simply specify any additional modifications required. The drain is commonly used in labs, hospitals, commercial kitchens, nursing homes, shower and wet room areas and bathroom pods. The perforated drain top is the most commonly chosen top for nursing homes as the perforations reduce the possibility of lost jewellery. Simply add the suffix (PF) to the specifications for this grate.

- Features:**
- Grade 304 (1.4301) or 316 (1.4401) Stainless Steel to BS EN 10088
 - Satin finish as standard
 - Customised perforated patterns available
 - Ex stock
 - Lock down as standard

Optional top adjustments

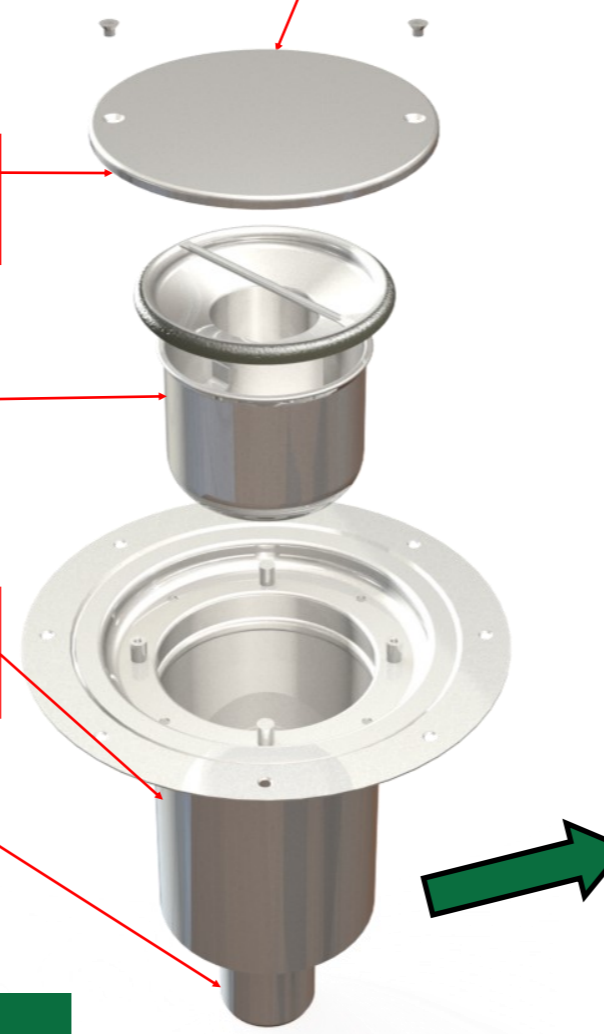


Solid Top as Standard on both models. Add suffix - (PF) for perforated grate



Foul Air Trap as standard on Trapped models with optional inlets and flanges available.

Threaded Outlet options available to suit a 1.5" or 2" BSP



KENT STAINLESS: DRAIN BODY—KVBO

Kent Stainless Adjustable Height Bottom Outlet Body for Commercial Floor Drain Gullies

This is not usually sold as a standalone product and is used to demonstrate the range of options available to products with a KVBO Body option. These products account for 20 of our 48 available gullies. The outlet of these gullies remains 50mm when attached to the KVBO. The advantages of the KVBO body is that it offers 65mm of vertical adjustment as well as 360 degrees of rotational freedom all while providing a wide range of flange and inlet options.

Inlet options available—Threaded inside or outside options available. Size adjustable

- 1.5" Threaded Nipple
- 1.5" Threaded Socket
- 50 mm Pushfit
- 0.5" BSP Primer Inlet

Inlets can be positioned at 45 degree increments

- Inlets at 45° angle
- Inlets at 90° angle

Flange Options Available—Puddle Flange features weepholes

- Puddle Flange
- Holding Flange
- DPM Clamp Flange

We also offer upstand inlet for more niche projects

- Side Inlet with Upstand

150mm Bottom Outlet

60mm 360° 5°

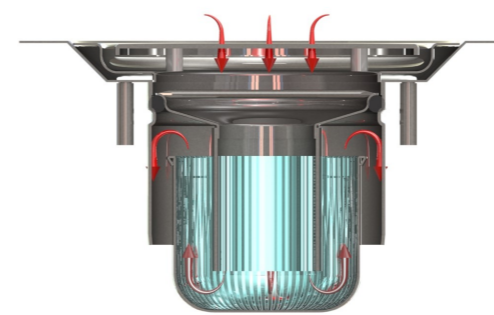
Made in IRELAND

www.kentstainless.com

For Body Modifications, see the KVBO Product Page
KVV225/50 & KVV225/1.5" not featured but all alterations are available

Product Code	Height	Width	Depth	Outlet	Flow Rate*	Description
KVV225/50	100	225	225	50	0.9 l/s	Fixed Height Untrapped
KVV225/50(T)	225	225	225	50	0.9 l/s	Fixed Height Trapped
KVV225/1.5"BSP	75	225	225	1.5"BSP	0.9 l/s	Fixed Height Untrapped
KVV225/1.5"BSP(T)	225	225	225	1.5"BSP	0.9 l/s	Fixed Height Trapped

Specify: Kent KVV225/50 Floor Gully. 225mm diameter, add suffix - (PF) for perforated grating, fixed height floor drain. Grade 304 stainless steel with a satin polish finish.



Waterflow for Trapped Body

BS EN1253 Loading Class K3
Our internal gullies are suitable for pedestrian and barefoot areas
(BS EN1253 Gullies & Buildings)