



# Triangular Cycle Stand



# Kent Triangular Cycle Stand KTCS1000

## Specify:

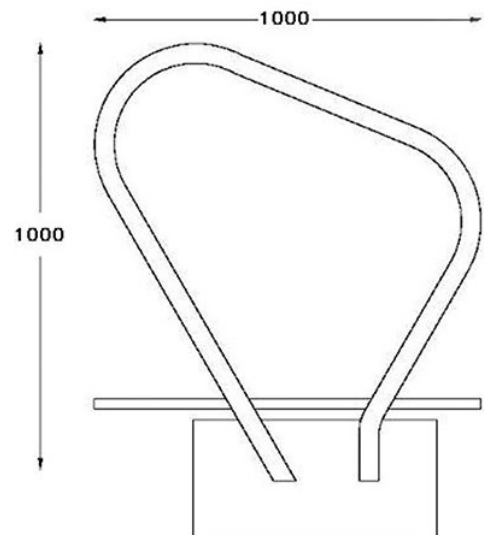
Kent Triangular Cycle Stand KTCS1000; 1000mm overall height; 1000mm width; Grade 316L Stainless Steel; Bright Satin Finish; Surface Mounted.

The Kent Triangular Cycle Stand KTCS1000 is constructed from Grade 316L Stainless Steel, with a 2.5mm thick body throughout. It has an overall height of 1000mm and width of 1000mm. The triangular style is a design led alternative to the more common products we have at Kent Stainless. The design allows 2 bicycles to be locked in position per stand. The cycle stand is widely used in pedestrianized, commercial and parkland areas.



## Features

- Grade 316L Stainless Steel
- 50mm Diameter Tube
- 2.5mm Wall Thickness
- Allows 2 Bicycles per stand
- Custom made design

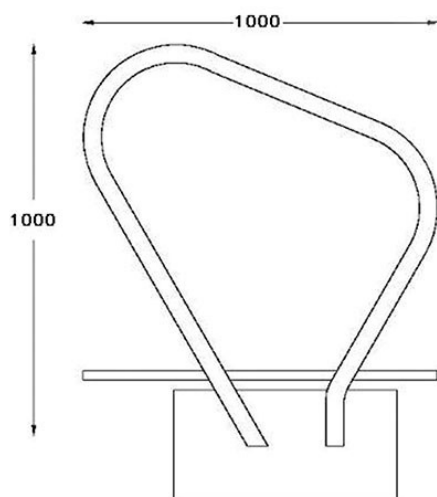


# Kent Triangular Cycle Stand KTCS1000



## Product Dimensions

| Reference                            | Height | Width  | Diameter |
|--------------------------------------|--------|--------|----------|
| Kent Triangular Cycle Stand KTCS1000 | 1000mm | 1000mm | 50mm     |



# Kent Triangular Cycle Stand KTCS1000

## Visible Flange

- Ensure that the surface to which the stand is mounted is sufficiently strong.
- Position the stand in the correct location. Mark the holes and drill into the surface.
- Place the stand directly over the holes and then fix the stand to the surface using M12 bolts.

## Buried Flange

- Cast 2 foundations 300mm with minimum dimensions of L150 x W150 x D350 below the surface.
- Once concrete is set up follow steps 1-3 as per flange detail above.
- Fill out hole with grout and replace slabs to finish of bollard.

## Cast In

- Remove pavement and excavate 2 holes to minimum dimensions of L150 x W150 x D350.
- Position your stand in the correct position ensuring correct height and then prop the stand securely.
- Fill the hole with concrete up to level of the underside of the pavement ensuring a good smooth finish.
- Remove props, replacing the paving slabs, and ensure that they are well bedded in.





Grade:  
316L  
304L

**Specify:**

Kent Triangular Cycle Stand KTCS1000; 1000mm height; Grade 316L Stainless Steel  
Bright Satin Finish; Surface Mounted.

Bright Satin  
Satin 320 Grit Polished  
Shot Peened  
Bright Peened  
Cold Rolled Electropolished

Choose from:  
Surface Mounted  
Visible Flange  
Buried Flange or  
Cast In



# Kent Triangular Cycle Stand KTCS1000

## Overview

The Kent Triangular Cycle Stand KTCS1000 is constructed from Grade 316L Stainless Steel, with a 2.5mm thick body throughout. It has an overall height of 1000mm and width of 1000mm. The triangular style is a design led alternative to the more common products we have at Kent Stainless. The design allows 2 bicycles to be locked in position per stand. The cycle stand is widely used in pedestrianized, commercial and parkland areas.

## Maintenance

### Stainless Steel

Clean the stainless steel components using warm water with a mild detergent with a non-abrasive cloth or sponge. Heavier stains may require the use of a nylon-scouring pad or a stainless steel cleaner. To remove paint or graffiti use a cloth and Alkaline or solvent paints and strippers according to type of paint. In the case of a bead blasted finish, where abrasive cleaning is required, always use a random circular rubbing action with a cloth. In the case of brushed finishes the surface consists of uniform fine 'scratches' running in one direction so where abrasive cleaning is required always use a straight back and forward rubbing action in the direction of the grain using soap and warm water. Rust spots or tea stains can occur on the surface of the material, these are normally caused by contamination from ordinary mild steel, particularly in areas where construction work has been undertaken. Such stains can be removed using Rust Remover 410. In cases where the surface is severely stained because of severe environmental conditions or scratched due to misuse, it may still be possible to restore the original finish using chemicals such as Oxalic Acid solution. There are many stainless steel polishes available to enhance the surface finish. We recommend Mister Stainless Ltd. As a provider for stainless steel products.

