

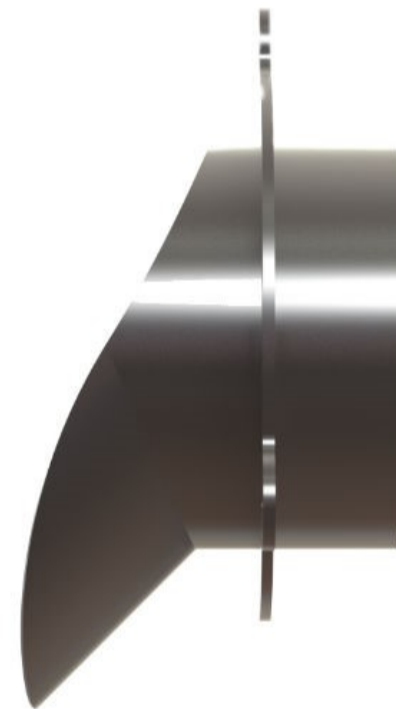
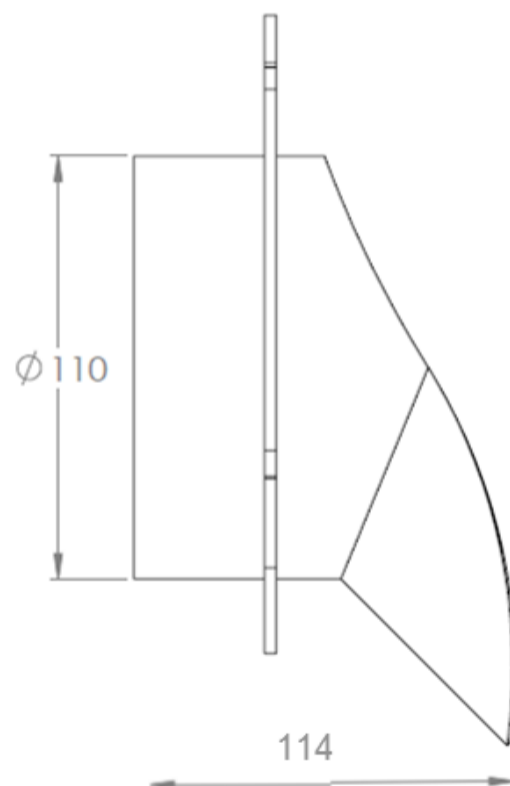
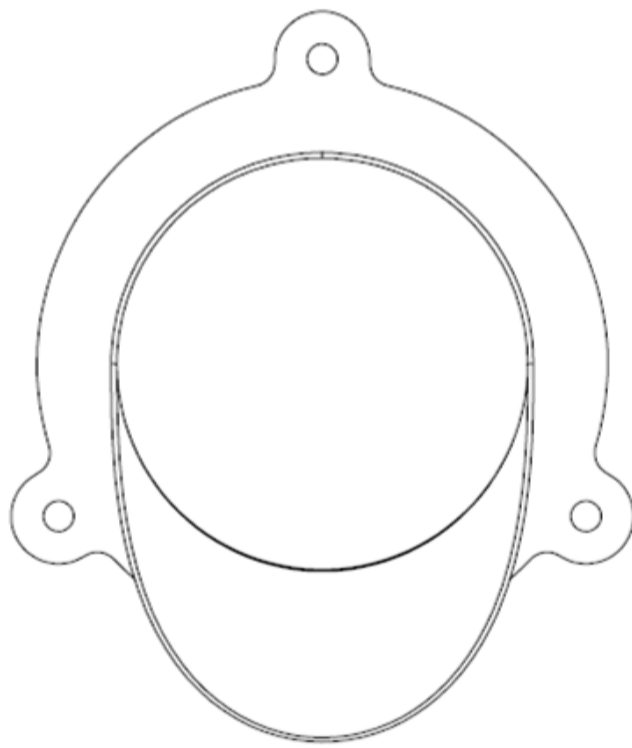
## Stainless Steel Downspout Nozzle

The Kent KDN114/110 Stainless Downspout Nozzle is an ideal product to divert water away from a building façade to prevent unwanted staining. The downspout nozzle is manufactured from polished grade 304 stainless steel as standard and comes with anti vandal fixings. This product is also known as a Discharge Spout or a Rainwater Shoe.

### Features

- Low Cost
- Stainless steel body
- Polished finish

Specify: Kent KDN114/110 downspout nozzle; 160mm high; grade 304 stainless steel



Product Code	Diameter	Length
KDN114/110	110mm	114mm
KDN114/160	160mm	114mm

BS EN1253 Loading Class H 1,5