

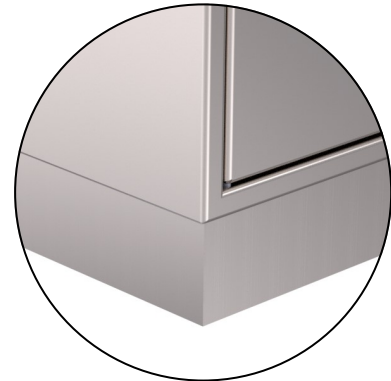
Kent Garment Cabinet(KGC1000) is designed to store and organise clothing items such as garments, hairnets, gloves etc.

The overall sizes can be adjusted to requirement with customisable shelving available. The cabinet also features adjustable legs and skirting can be provided.

The cabinets can be easily cleaned with minimal crevices throughout the design and are virtually maintenance free.

Features

- Grade 304L/316L Stainless Steel
- Satin finish 320 grit polished
- No dirt traps
- Customs sizes available
- Sloped top optional



Skirting (optional)

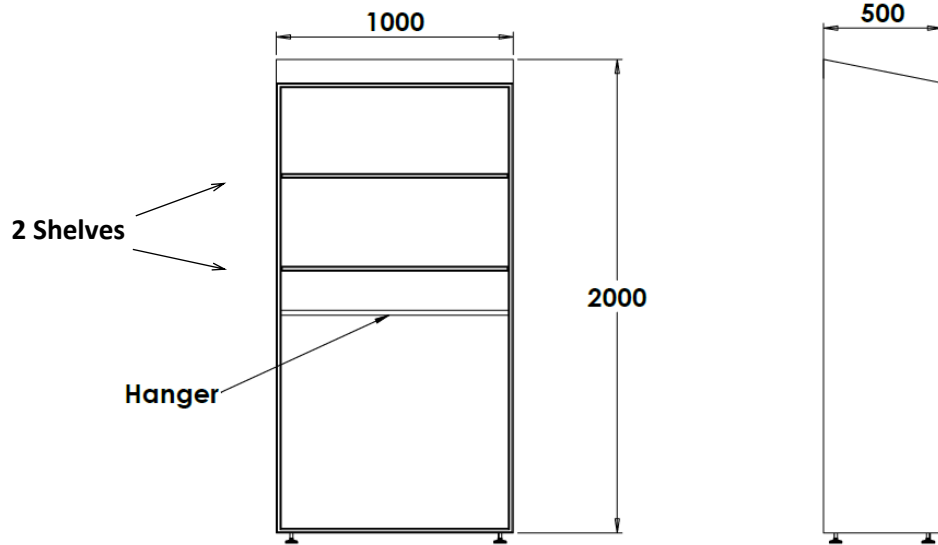


Open Unit as standard



Closed Door Version (optional)

KENT GARMENT CABINET



Product Code	Length	Depth	Height
KGC1000	1000	500	2000
KGC1000(D)	1000	500	2000

Specify

Choose your steel:
 Grade 304L Stainless steel
 Grade 316L Stainless steel

Customise your size
 go with our standard size
 1000x500x2000mm
 (see above for details) or
 specify your own dimensions

Specify:
 Kent Garment Cabinet (KGC1000); Grade 304L Stainless Steel; 1000x500x2000;
 2mm Thick Steel; Satin Finish 320 Grit Polish; Adjustable legs.

Choose your thickness:
 2mm
 3mm

Features (choose as many as you need):
 Adjustable legs (standard)
 Adj. Legs w/Skirting
 Closed Door Version