

KENT GENERAL PPE DISPENSER

Kent General PPE Dispensers (KGPD 430) are designed to store and conveniently dispense disposable shoe, hair, beard and other types of PPE to operators.

The dispenser can be filled from the top by opening the hinged lid. The double and multi bay dispensers have dividing walls allowing each chamber to be filled with separate items.

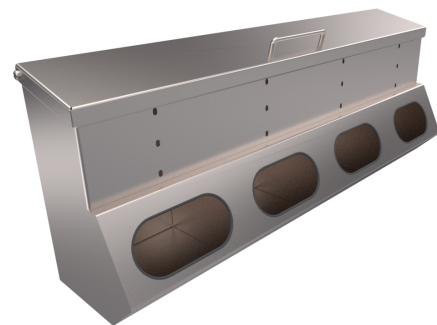
The dispensers can be easily cleaned with minimal crevices throughout the design and it includes a safety rubber trim around the dispensing slots.

Features

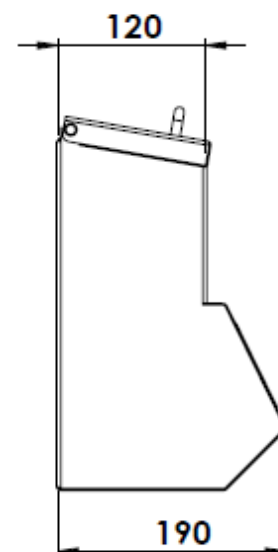
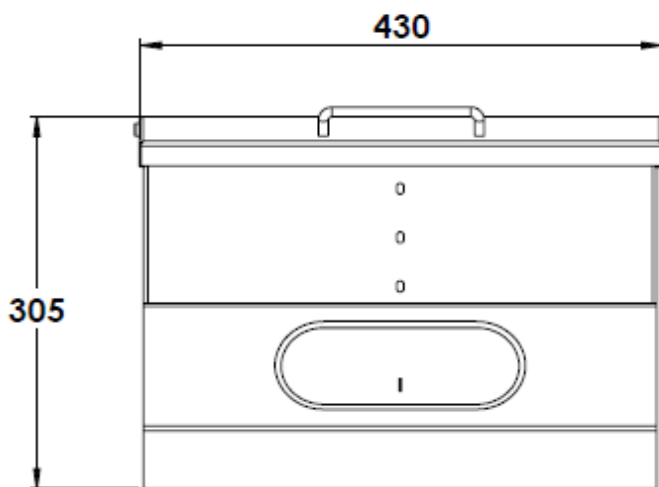
- Grade 304L/316L Stainless Steel
- Satin finish 320 grit polished
- Wall mounted
- 1.5mm thick steel
- Sloped top



Double



Multi-Bay



KENT GENERAL PPE DISPENSER

Product Code	Length	Depth	Height
KGPD 430	430	190	305

Specify

Choose your steel:
Grade 304L Stainless steel
Grade 316L Stainless steel

Specify:
 Kent General PPE Dispenser (KGPD 430); Grade 304L Stainless Steel; 430x190x305mm;
 1.5mm Thick Steel; Satin Finish 320 Grit Polish; Single.

Choose your type:
Single
Double
Multi-bay (specify how many)

