

KENT HINGED VINYL MANHOLE KMHD-900/900VHLA

Kent Hinged Vinyl Manholes can be fabricated to any dimension. They are designed to be filled with material to match the surrounding floor finish – Vinyl, Altro, Mipilan. They come with a Double Seal as standard but they are also available with a Triple Seal. A vinyl clamping perimeter flange is used.

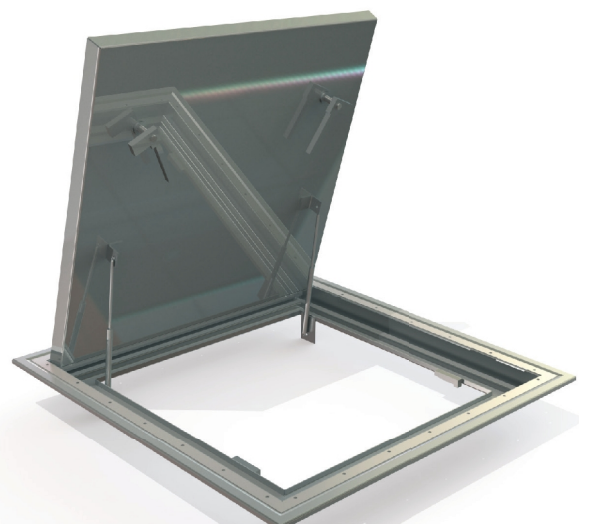
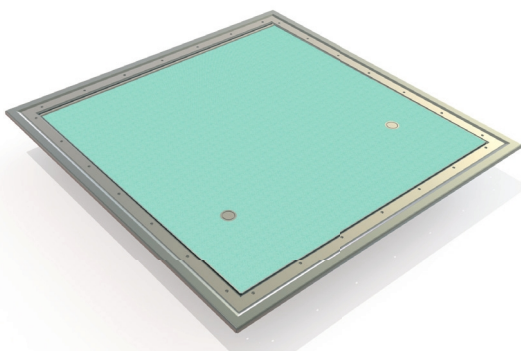
They feature Gas struts on the smaller sizes and Kent Lift Assist Mechanical Struts on larger size.

They are suitable for all areas which have pedestrian traffic but they can be modified to take loading of 20ton forklifts. They can be supplied with enclosed fire-rated insulated panels if requested.

It comes with 2 lockable lifting points as standard

Features

- ❑ Made from Grade 304L Stainless Steel as standard with an option for Grade 316
- ❑ Robust continuous piano hinge as standard
- ❑ 2 lifting points with locks as standard
- ❑ Most commonly ordered as Double Sealed



KENT HINGED VINYL MANHOLE KMHD-900/900VHLA continued

Product Code	Pit Clear Opening	Reduced Opening	Tray Depth	Visible Frame Size (Double Seal)
KMHD-600/600 VHLA	600mm x 600mm	600mm x 450mm	80mm	956mm x 936mm
KMHD-750/750 VHLA	750mm x 750mm	750mm x 600mm	80mm	1106mm x 1086mm
KMHD-900/750 VHLA	900mm x 750mm	900mm x 600mm	80mm	1256mm x 1086mm
KMHD-900/900 VHLA	900mm x 900mm	900mm x 750mm	80mm	1256mm x 1236mm



Sack Truck
Light/Medium Duty

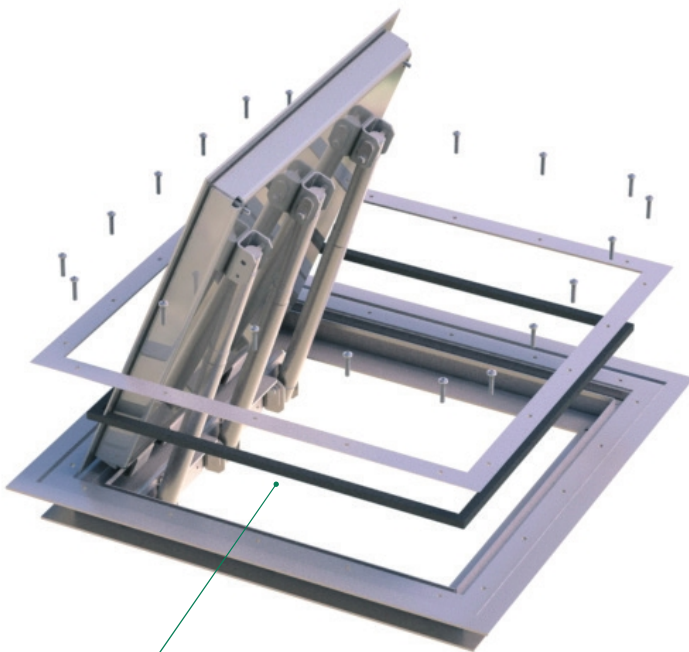
Specify: FACTA AAA



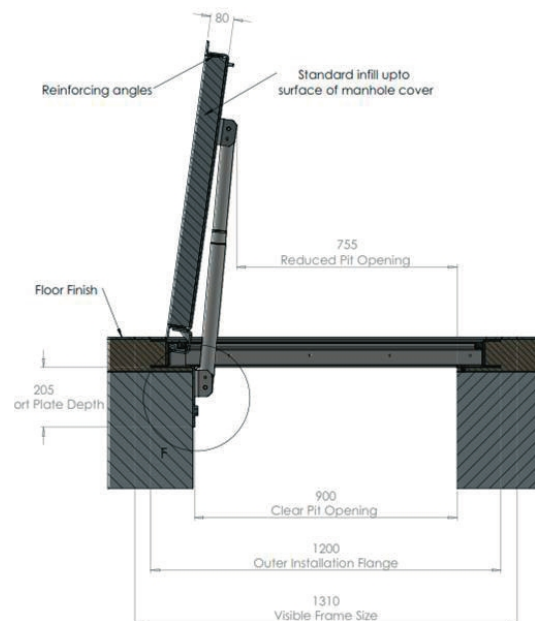
Pallet Truck
Medium Duty

Specify: FACTA B

Specify: Kent Hinged Vinyl Manhole KMHD-900/900VHLA; 600mm x 600mm clear opening; 80mm Tray Depth; Double Seal; Grade 304L Stainless Steel; Loading FACTA AAA
See page 8 & 9 which shows how to create your own unique specification clause



**Double Food Grade Silicone
Sponge 'P' Seal**


OPTIONS

- Grade 304L or Grade 316L Stainless Steel
- Various Loadings (See FACTA table)
- Double Seal
- Triple Seal
- Fire Panels
- Opening from Underneath

FACTA Class	Slow Moving Wheel Loads	Kent Safety Test (Unfilled)
AAA	2.5T	5.2T
B	5T	10.1T