



**Kent**  
STAINLESS

## Arsenal Bin

Nov 2023





# STREET FURNITURE

## Arsenal Bin

### DESCRIPTION

The Kent Arsenal Litter Bin is a 80 litre, Stainless Steel litter bin. It is manufactured from Grade 316L stainless steel and has an integrated ashtray and galvanised liner. The bin is complete open on both sides, includes a triangular key lock and a full length stainless steel piano hinge.

This bin lends itself well to incorporate words, logos and symbols on the door and rear panels. A 'Litterman' is the most commonly requested logo, followed by recycling symbols.

The ashtray can be blanked off on recycling bins.

### FEATURES

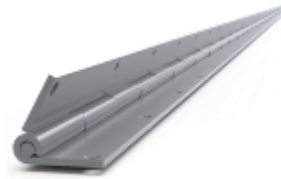
- Ashtray
- Grade 316L Stainless Steel
- Fire resistant galvanised liner
- Heavy duty full length piano hinge
- Vandal resistant 3mm thick stainless steel
- Open both sides



## DRAWING



Ashtray



Piano Hinge



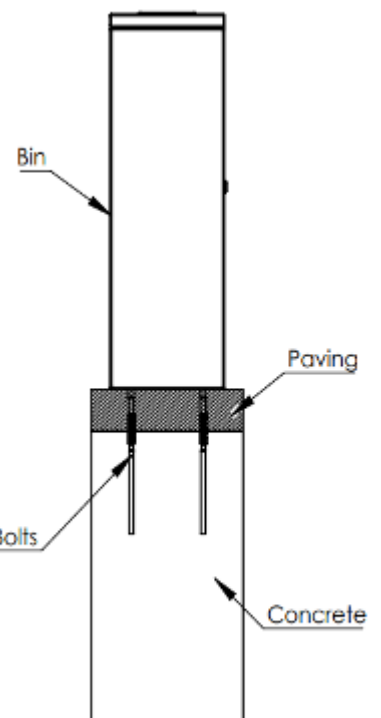
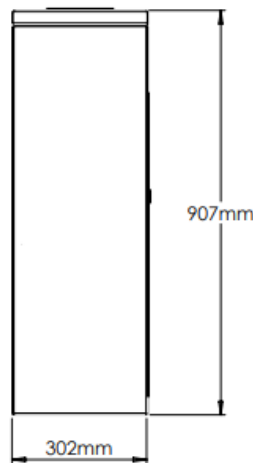
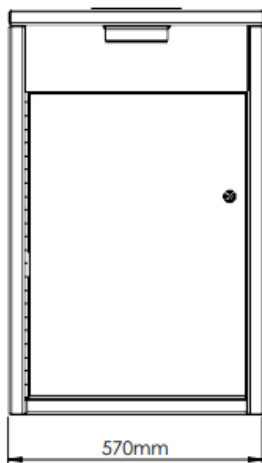
Triangle Lock



Fire resistant galvanized liner

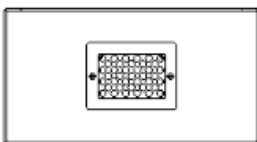
## PRODUCT DIMENSIONS

Reference	Height	Width	Volume
KLB570	907mm	570mm	80 litres



Recommened: M12 x 120mm Bolts

500x550x700 Foundation





## Arsenal Bin



### Specification

**Choose your capacity**  
80l depending on the size of your bin

**Choose your steel:**

Grade 304 Stainless steel  
Grade 316 Stainless steel

#### Specify:

Kent Arsenal Litter Bin KLB570;

**L:570mm, H:907mm, W:302mm; 80 Litre Capacity; Grade 316L Stainless Steel; 3mm Thick Wall; Bright Satin Finish; Surface Mounted. Include 'Litterman Symbol' Decal;**

**Customise your size, or go with our standard 570mm Size**

**Choose your Decals;**  
Litterman  
Recycling Symbol  
Recycle Text  
Custom Branding

**Choose your Finish**

Bright Satin  
320 Grit Satin Finish  
Bright Peened  
Shot Peened  
Tiger Bronze  
Imitation Corten  
Antique Copper  
Metallic Black

### Installation of Litter bins:

Ensure that the surface to which the bin is mounted is sufficiently strong.

Position the bin in the correct location. Mark the holes and drill into the surface

Place the bin directly over the holes and then fix the bin to the surface using M12 bolts.

There are 4 fixing points on the base for fitting to the ground using anchoring bolts

A typical foundation would be 700mm x 550mm x 500mm of 35N20 concrete - but this is the responsibility of the site engineer's specification

### For Paved Areas:

Length of the M12 bolts will depend on the depth of the paver blocks plus bedding. For example, with 60mm deep paver blocks plus 20mm deep bedding, we recommend M12 X 180MM

### For Non Paved areas:

M12 x 120mm bolts are recommended



# STREET FURNITURE

## Arsenal Bin



Stainless



Faux Imitation Corten



Tiger Bronze



Bright Peened



Bright Satin



Satin Finish 320 Grit Polished



Shot Peened



Tiger Bronze



Imitation Corten



Antique Copper



Metallic Black



Click on Finish image  
for further information



## CLEANING & MAINTENANCE

Clean the stainless steel components using warm water with a mild detergent with a non-abrasive cloth or sponge. Heavier stains may require the use of a nylon-scouring pad or a stainless steel cleaner.

To remove paint or graffiti use a cloth and Alkaline or solvent paint strippers according to type of paint. In the case of a bead blasted finish, where abrasive cleaning is required, always use a random circular rubbing action with a cloth. In the case of brushed finishes the surface consists of uniform fine 'scratches' running in one direction so where abrasive cleaning is required always use a straight back and forward rubbing action in the direction of the grain using soap and warm water.

Rust spots or 'tea stains' can occur on the surface of the material, these are normally caused by contamination from ordinary mild steel, particularly in areas where construction work has been undertaken. Such stains can be removed using Rust Remover 410.

In cases where the surface is severely stained because of severe environmental conditions or scratched due to misuse, it may still be possible to restore the original finish using chemicals such as Oxalic Acid solution.

There are many stainless steel polishes available to enhance the surface finish. We recommend Mister Stainless Ltd. as a provider for stainless steel cleaning products.



*Royal Woolwich Arsenal, London, UK*



**KENT STAINLESS**  
**“A PARTNER YOU CAN RELY ON”**

*Royal Woolwich Arsenal, London, UK*

Contact us

Phone: +353 53 914 3216  
UK Freephone: 0800 376 8377  
USA: 781 374 7391

Email: [info@kentstainless.com](mailto:info@kentstainless.com)  
Address: Ardcavan, Wexford, Ireland, Y35 CRW2



[www.kentstainless.com](http://www.kentstainless.com)

  Made in Ireland