

Sheraton Bin

Nov 2023





STREET FURNITURE

Sheraton Bin

DESCRIPTION

The Kent Sheraton Litter Bin KSLB370 is a 45 litre pole mounted stainless steel litter bin. In most cases it has been supplied powder coated—but could be supplied with a stainless finish. Litterman Decals are most often not supplied—but can be requested. The bin has a 5mm thick top plate and comes equipped with a hinge point that is supported by a chain when tipped forward for emptying.

The bin has a reduced opening of 170mm that prevents large rubbish bags being disposed inside. The Sheraton litter bin is often powdercoated Kent Metallic Black. It also has a stainless steel slam lock making it easier to empty and maintain.

FEATURES

- Grade 304L Stainless Steel Powdercoated Kent Metallic Black
- Grade 316L Stainless Steel Powdercoated Kent Metallic Black
- Reduced Opening
- 45 Litre
- Hinge Point, supported by chain



Sheraton Park, Doha, Qatar

STREET FURNITURE

Sheraton Bin



DRAWING



Fire Resistant Galvanized Liner



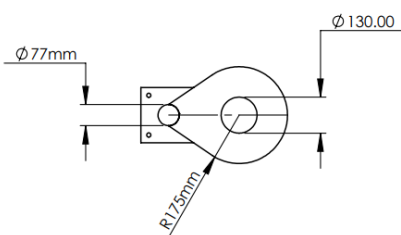
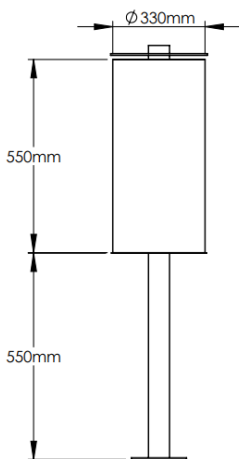
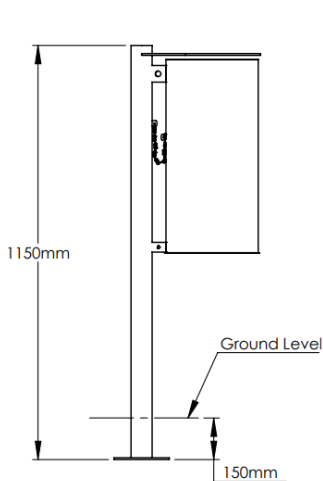
Slam Lock



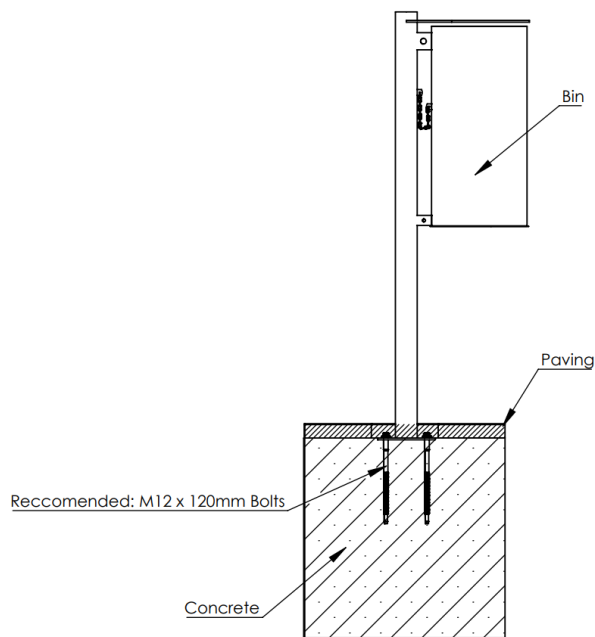
Bin tilts forward for Liner removal

PRODUCT DIMENSIONS

Reference	Height	Width	Volume
KSLB370	1150mm	330mm	45 litres



Note: Customer Specified for Fixing Above or Below Paving



500x550x700 Foundation

Sheraton Bin



Sheraton Park, Doha, Qatar



Sheraton Park, Doha, Qatar

Specification

Choose your capacity
45l depending on the size of your bin

Choose your steel:

Grade 304 Stainless steel
Grade 316 Stainless steel

Specify:

Kent Arsenal Litter Bin KSLB370;

L:330mm, H:1150mm; 45 Litre Capacity; Grade 316L Stainless Steel; 3mm Thick Wall; Bright Satin Finish; Surface Mounted. Include 'Litterman Symbol' Decal;

Customise your size, or go with our standard 1150mm Size

Choose your Decals;
Litterman
Recycling Symbol
Recycle Text
Custom Branding

Choose your Finish

Bright Satin
320 Grit Satin Finish
Bright Peened
Shot Peened
Tiger Bronze
Imitation Corten
Antique Copper
Metallic Black

Installation of Litter bins:

Ensure that the surface to which the bin is mounted is sufficiently strong.

Position the bin in the correct location. Mark the holes and drill into the surface

Place the bin directly over the holes and then fix the bin to the surface using M12 bolts.

There are 4 fixing points on the base for fitting to the ground using anchoring bolts

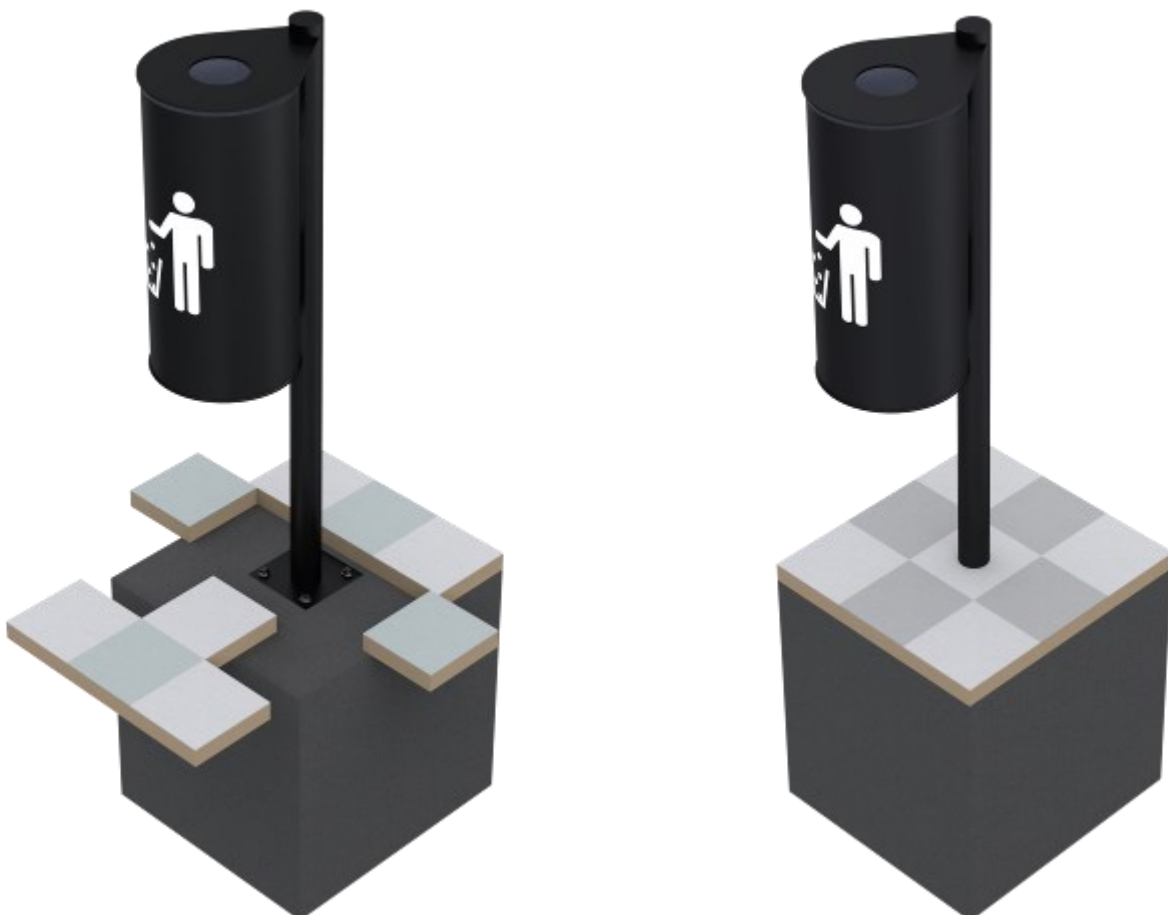
A typical foundation would be 700mm x 550mm x 500mm of 35N20 concrete - but this is the responsibility of the site engineer's specification

For Paved Areas:

Length of the M12 bolts will depend on the depth of the paver blocks plus bedding. For example, with 60mm deep paver blocks plus 20mm deep bedding, we recommend M12 X 180MM

For Non Paved areas:

M12 x 120mm bolts are recommended





STREET FURNITURE

Sheraton Bin



Stainless



Faux Imitation Corten



Tiger Bronze



Bright Peened



Bright Satin



Satin Finish 320 Grit Polished



Shot Peened



Tiger Bronze



Imitation Corten



Antique Copper



Metallic Black



Click on Finish image
for further information

CLEANING & MAINTENANCE

Clean the stainless steel components using warm water with a mild detergent with a non-abrasive cloth or sponge. Heavier stains may require the use of a nylon-scouring pad or a stainless steel cleaner.

To remove paint or graffiti use a cloth and Alkaline or solvent paint strippers according to type of paint. In the case of a bead blasted finish, where abrasive cleaning is required, always use a random circular rubbing action with a cloth. In the case of brushed finishes the surface consists of uniform fine 'scratches' running in one direction so where abrasive cleaning is required always use a straight back and forward rubbing action in the direction of the grain using soap and warm water.

Rust spots or 'tea stains' can occur on the surface of the material, these are normally caused by contamination from ordinary mild steel, particularly in areas where construction work has been undertaken. Such stains can be removed using Rust Remover 410.

In cases where the surface is severely stained because of severe environmental conditions or scratched due to misuse, it may still be possible to restore the original finish using chemicals such as Oxalic Acid solution.

There are many stainless steel polishes available to enhance the surface finish. We recommend Mister Stainless Ltd. as a provider for stainless steel cleaning products.



Sheraton Park, Doha, Qatar

KENT STAINLESS

“A PARTNER YOU CAN RELY ON”



Sheraton Park, Doha, Qatar

Contact us

Phone: +353 53 914 3216
UK Freephone: 0800 376 8377
USA: 781 374 7391

Email: info@kentstainless.com
Address: Ardavan, Wexford, Ireland, Y35 CRW2



www.kentstainless.com

  Made in Ireland