



KENT MANHOLE INSPECTION LINER KMILDC1000

Kent Inspection Liner for Double Contained pipework were designed for us in Pharmaceutical Factories as

1. Visual inspection of Double Contained pipework
2. Rodding Access for pipework

The inlets and outlets on these inspection liners are designed to allow for connection of Double Contained stainless steel pipework or Double Contained polypropylene pipework.

Liners can accommodate 1,2 or 3 Double Contained side inlets and 1 Double Contained side outlet. In most cases the inlets are 4"/6", or 6"/8". Large or smaller inlets can be supplied as required.

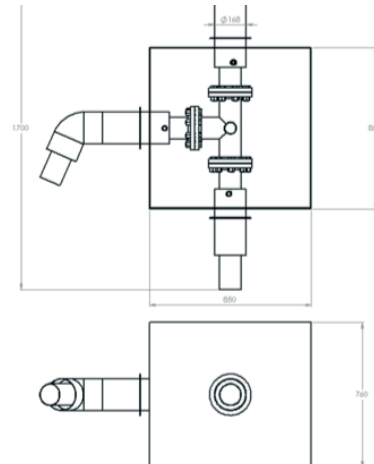
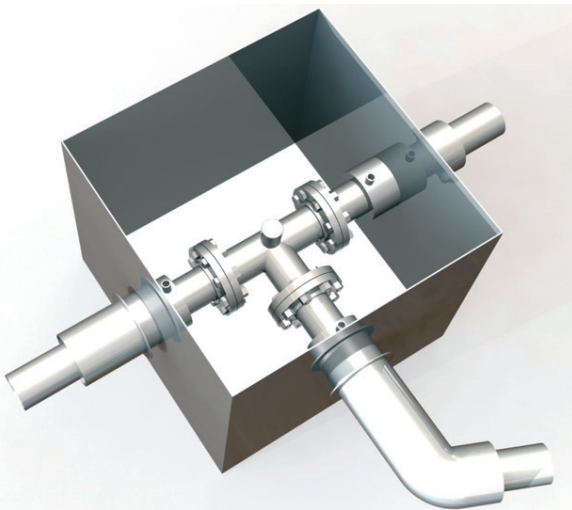
Where liners are Internal in the building we generally supply

Double Sealed or Triple Sealed Recessed stainless steel manholes for concrete infill from B125 up to D400 load

Where liners are external to the building, the covers above these liners are generally csat iron, but in some cases over process manholes we supply double sealed recessed or chequer plate stainless steel.

Liner bodies are fully welded and dye pen tested and supplied material and test certs.

Please note that in most cases the top of liner is 200-300mm below FGL (load bearing concrete above this supports the Kent or other manhole frame and cover at ground level. The manhole frame and cover is most often smaller than the liner opening and can be a standard size).



Product Code	Width	Length	Height	Outlet	Inlet 1	Inlet 2	Inlet 3
KMILDC850-850/4"/6"(shown)	850	850	760	4"/6"	4"/6"	4"/6"	
KMILDC900-900/4"/6"	900	900	750	4"/6"	4"/6"	4"/6"	4"/6"
KMILDC900-900/6"/8"	900	900	750	6"/8"	6"/8"	6"/8"	6"/8"
KMILDC1000-1000/4"/6"	1000	1000	750	4"/6"	4"/6"	4"/6"	4"/6"
KMILDC1000-1000/6"/8"	1000	1000	750	6"/8"	6"/8"	6"/8"	6"/8"
KMILDC1200-1200/4"/6"	1200	1200	750	4"/6"	4"/6"	4"/6"	4"/6"
KMILDC1200-1200/6"/8"	1200	1200	750	6"/8"	6"/8"	6"/8"	6"/8"

Specification Clause Example: Kent Manhole Inspection Liner 1000/1000; 1000mm x 1000m body with 760mm depth; grade 316L stainless steel; with 2nr 4"/6" DC side inlets at 90 degrees plus 1nr 4"/6" outlet.

OPTIONS

Bespoke Liner sizes and pipe sizes are available as required

Puddle Flanges on inlets/outlets

Depth changed to suit invert levels generally 750mm - 1000mm deep