



KENT T10 Grey Water Unit

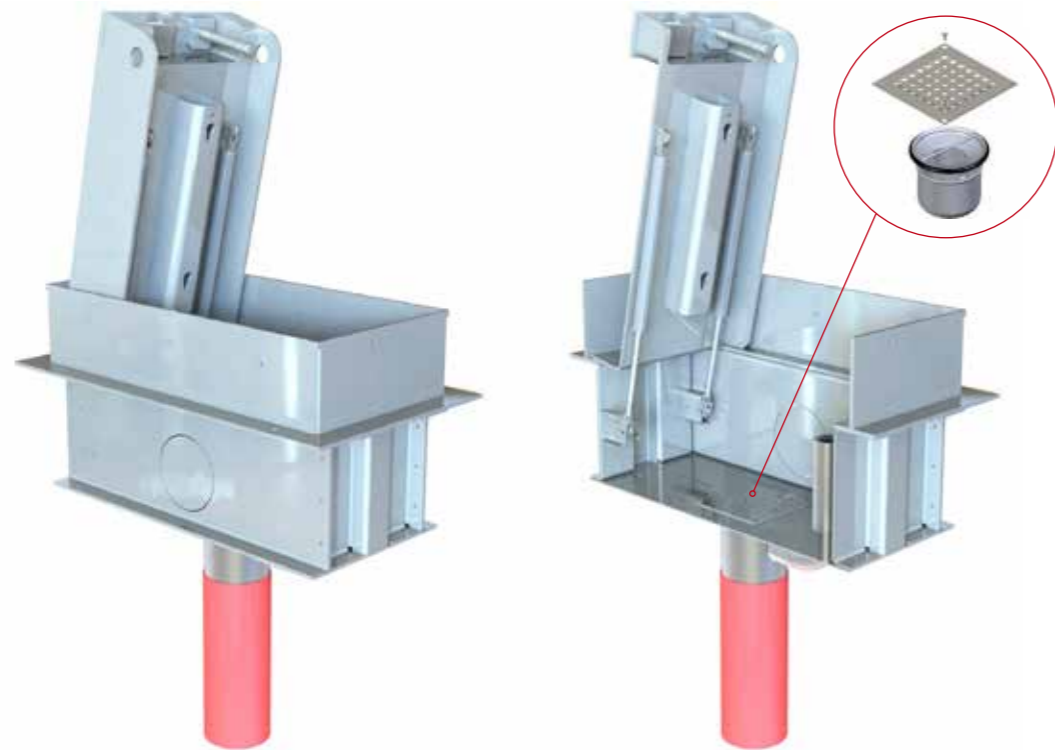
The **Kent Paver T10 In Ground Grey Water Unit** is an ideal product for trading areas, open air areas with events and exhibitions where a discreet drain is required. In most cases it is used, for example, for a coffee vendor who needs to empty their wash tank temporarily and then shuts the cover. This model, Type 9 has a 300mm x 600mm top recessed cover.

The discharge can be tipped into the body itself or funnelled into the upstand provided. Versions can be customised with ferrule triclamp connections for discharge.

The outlet is trapped by a 110mm bottle trap.

The hinged recessed cover ensures the units are unobtrusive when not in-use. The covers are manufactured in accordance with FACTA and BS EN124 standards. The covers are suitable for 60mm deep paving blocks and are manufactured to meet required loadings. They are fabricated in grade 316 stainless steel as standard.

- Features**
- ❑ Gas Rams
 - ❑ Slam lock
 - ❑ Secondary secure holding down lock
 - ❑ 110mm diameter drain outlet point



44 Ton Truck
FACTA B Loading
EN124 B125 Loading

Product	Visible Frame Size	Unit Depth	Inlet (Ø)	Drainage
KIGGWU300/600/350	300mm x 600mm	350mm	50mm	110mm

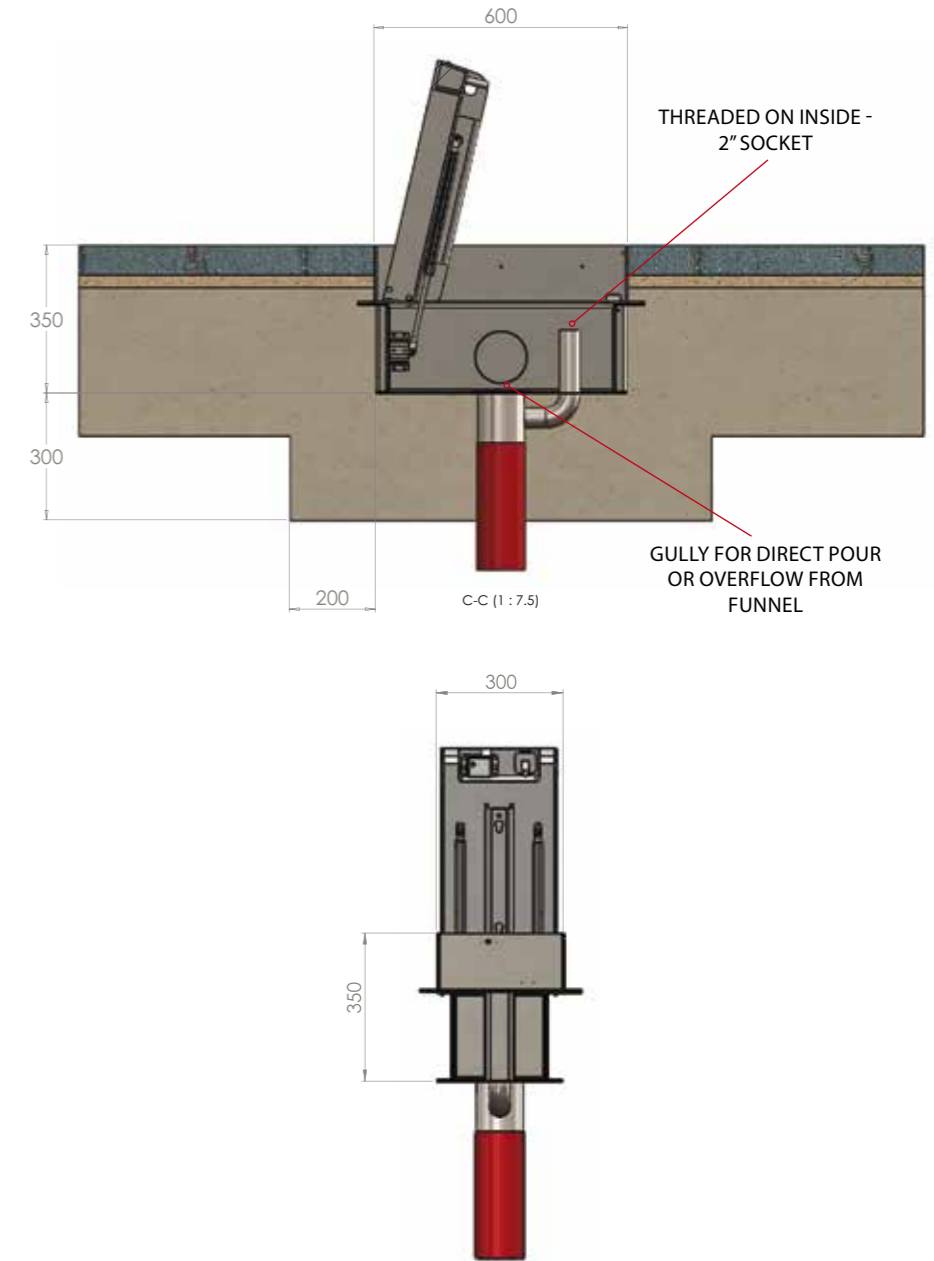
Specify Kent KIGGWU – Type 9 Grey Water Unit; 300mm x 600mm top; with a 350mm depth; Grade 316 Stainless Steel; Loading FACTA B; With 110mm bottom drainage outlet



KENT T9 Grey Water Unit



Food Carts use this box for Emptying Coffee and other Liquid Waste Tidily during the day.



Commonly made as part of a triple unit including Power, Potable Water Supply and Grey Water Outlet