



Kent Vista Planter



Kent Vista Planter KVP-619

Specify

Kent Vista Planter KVP-619; 451.40mm width x 619mm height; Grade 316L Stainless Steel; Powder coated Finish; Cast In.

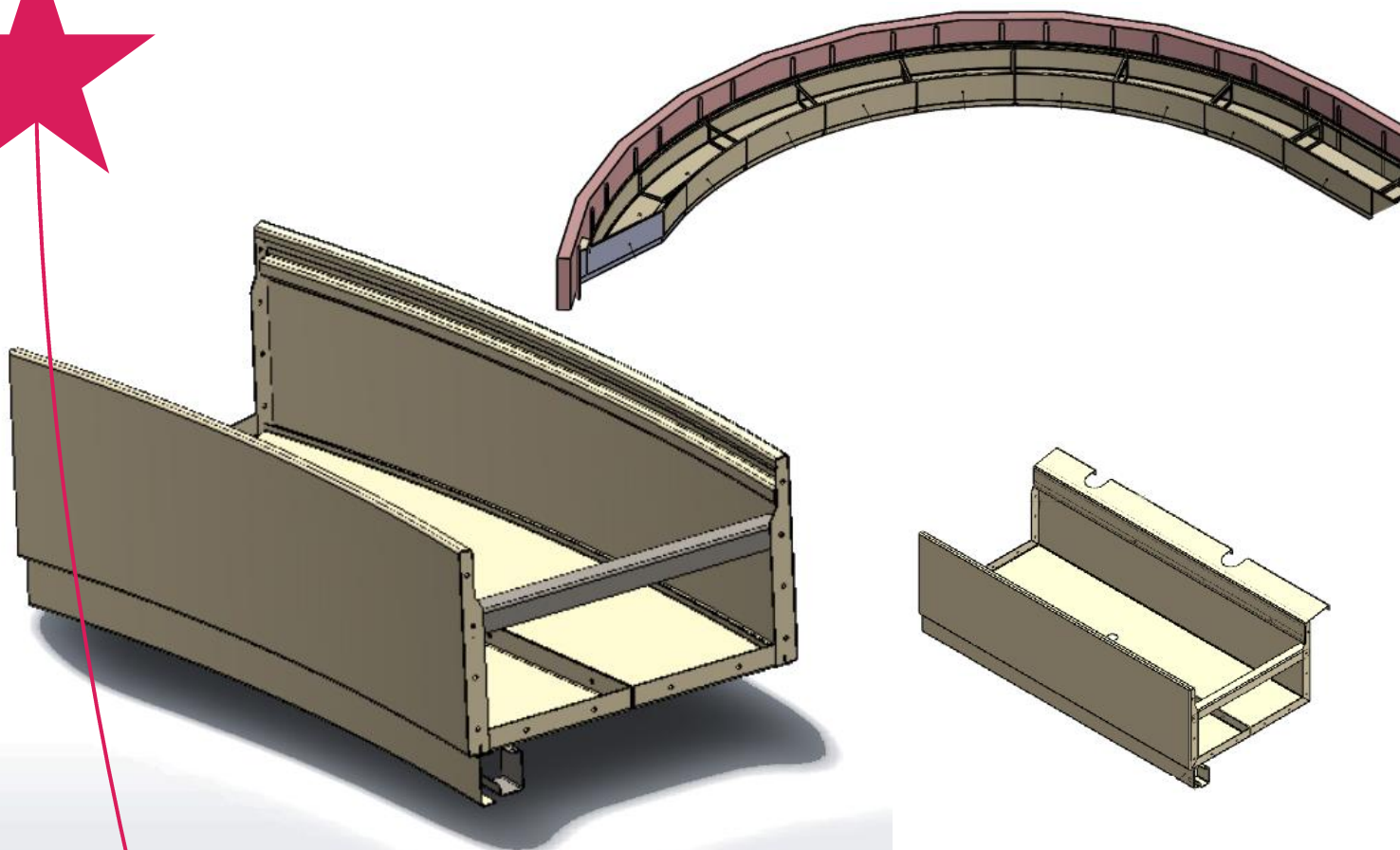
Description:

The Kent Vista Planter KVP-619 is manufactured from Grade 316L Stainless Steel to maximize vandal resistance and minimise maintenance. It has a powder coated finish; however, there are other finishes available a bright satin finish or a Corten steel finish. The Vista planter is 451.40mm high x 619mm wide, these measurements can be modified to suit the location. Its robust and innovative design makes it ideal for public areas.

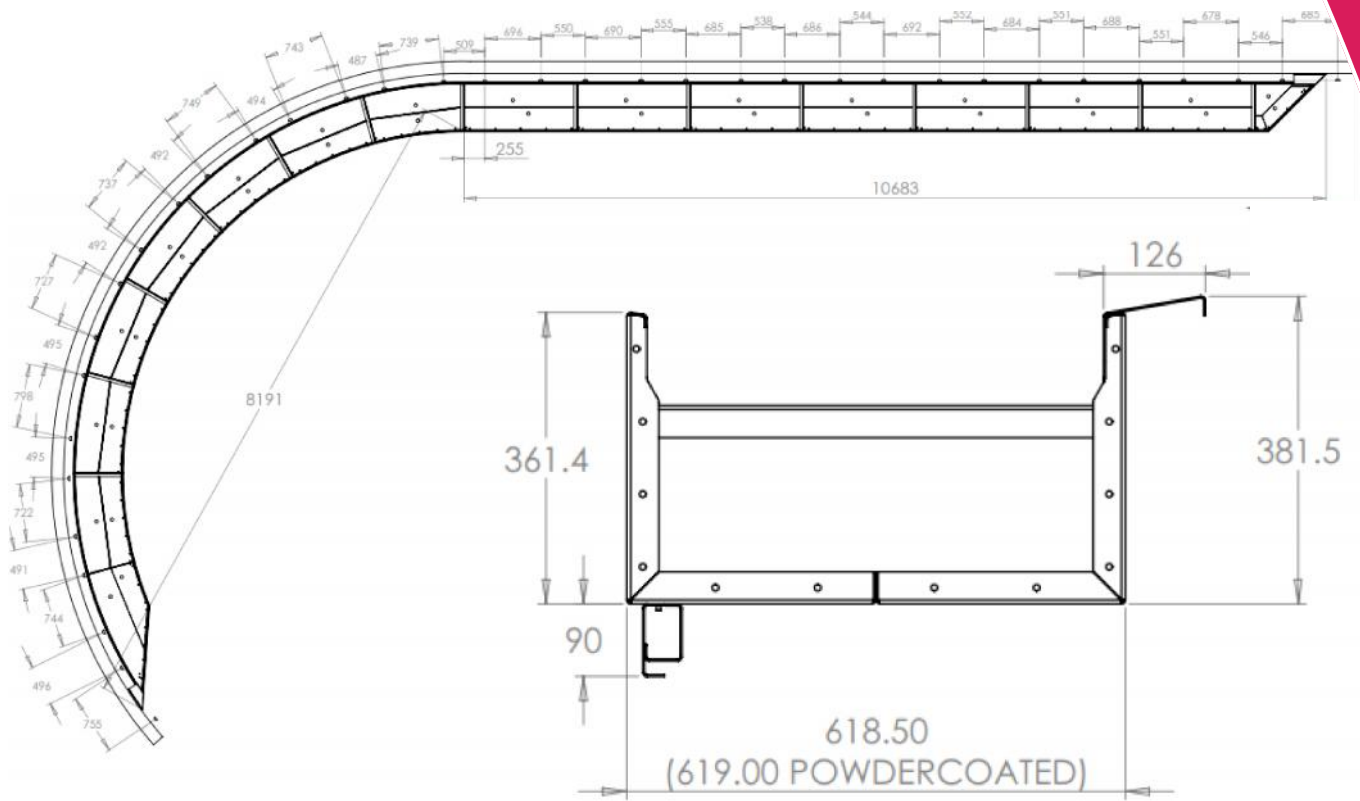
It was manufactured especially for Berkeley Homes in Battersea, London. The Kent Vista planter fits in perfectly with most surroundings especially Kent benches and seats, which create a modern outdoor seating area for pedestrians.

Features:

- Grade 316L Stainless Steel
- Powdercoated
- Low Maintenance
- Incorporates any Logo



Kent Vista Planter KVP-619



Product Dimensions:

Reference	Length	Width	Depth
Kent Vista Planter (KVP-619)	700	619	450



Kent Vista Planter KVP-619

Maintenance

Stainless Steel:

Clean the stainless steel components using warm water with a mild detergent with a non-abrasive cloth or sponge. Heavier stains may require the use of a nylon-scouring pad or a stainless steel cleaner. To remove paint or graffiti use a cloth and Alkaline or solvent paints and strippers according to type of paint. In the case of a bead blasted finish, where abrasive cleaning is required, always use a random circular rubbing action with a cloth. In the case of brushed finishes the surface consists of uniform fine 'scratches' running in one direction so where abrasive cleaning is required always use a straight back and forward rubbing action in the direction of the grain using soap and warm water. Rust spots or tea stains can occur on the surface of the material, these are normally caused by contamination from ordinary mild steel, particularly in areas where construction work has been undertaken. Such stains can be removed using Rust Remover 410. In cases where the surface is severely stained because of severe environmental conditions or scratched due to misuse, it may still be possible to restore the original finish using chemicals such as Oxalic Acid solution. There are many stainless steel polishes available to enhance the surface finish. We recommend Mister Stainless Ltd. As a provider for stainless steel products.



Kent Vista Planter KVP-619

Specify:

Kent Vista Planter KVP-619; 451.40mm width x619mm height; Grade 316L Stainless Steel; Powder coated Finish; Cast In.

Features:

- Grade 316L Stainless Steel
- Powdercoated
- Low Maintenance
- Incorporates any Logo

The Vista Panter can be manufactured from :

- Grade 316L Stainless Steel
- Grade 304L Stainless Steel

Finishes Available

- Electropolished
- Passivated
- Satin Finished 320 Grit Polished
- Bright Satin Finish
- Bright Peened Finish
- Shot Peened
- Powdercoated
- Metallic Black Finish
- Corten Steel Finish
- Imitation Corten



**Kent Vista Planter
KVP-619**

