

Kingston Paper Trail

London

Project: Manufacture of the Kingston Paper Trail sculpture

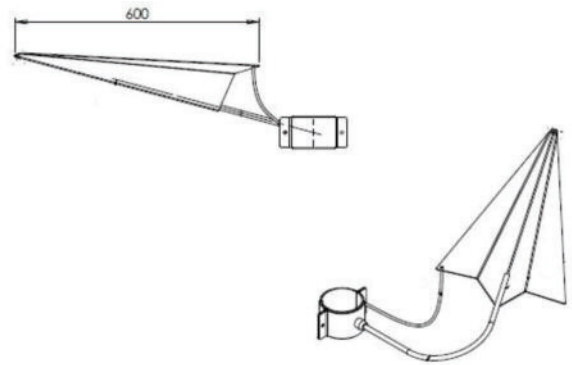
Client: Royal Borough of Kingston Upon Thames

Architect: Waterman Transport & Development

Main Contractor: Maylim Ltd

Value: £20,000

The Paper Trail sculpture has been designed to provide interest and a sense of arrival at Kingston Town Centre. The art work was designed by Michael Antrobus and Thomas Kean during their studies at Kingston University following a Royal Borough of Kingston Design Competition, and installed in 2012 through funding support from the Mayor of London's Outer London Fund.



Outline of Project Requirements

- ❖ Grade 316 powdercoated stainless steel planes
- ❖ Galvanised poles at various heights
- ❖ 6 week turnaround from design through to final delivery

