

Kent Colchester Seat



KENT COLCHESTER SEAT KCS-2478/908(4)**Specify:**

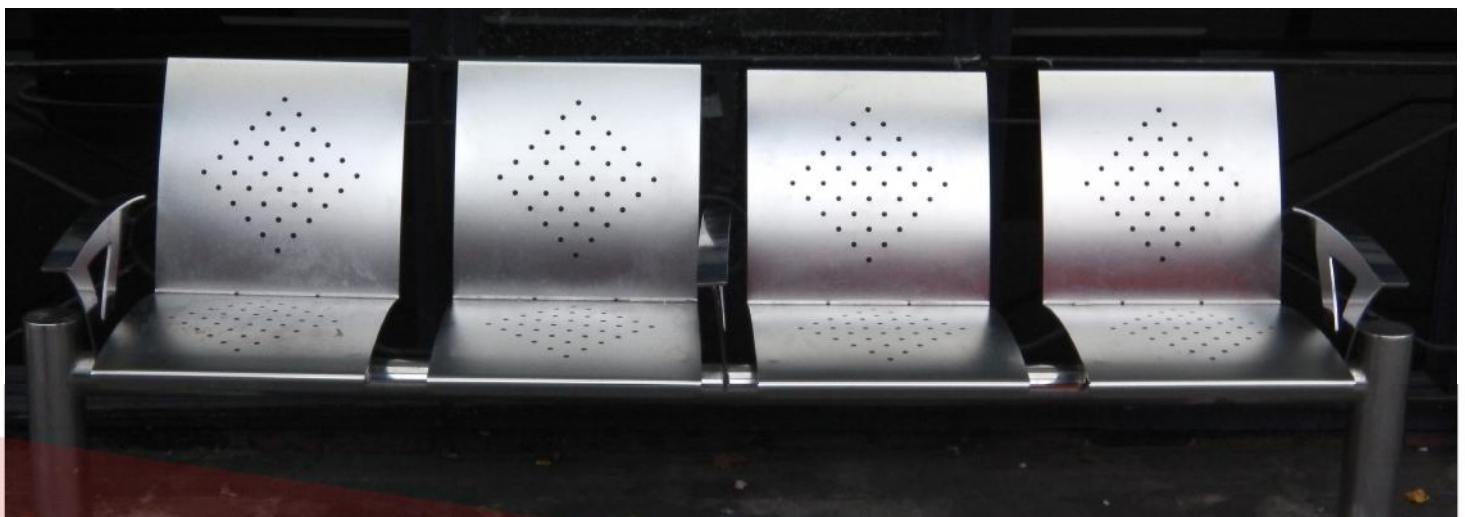
Kent Colchester Seat KCS 2478/908(4); L:2478mm, H:908mm, W:500mm; 4mm Thick Steel; Grade 316 Stainless Steel; Satin finish 320 Grit Polish; Cast In

Description:

The Kent Colchester Seat is constructed from Grade 316L Stainless Steel. It is a 2478mm long, 4 person Stainless Steel seat which also has a 2 person variation. It has a simple but modern curved design that makes it suitable for urban streetscapes. The seat is finished with a perforated design to prevent rainwater laying on the surface. The Colchester seat is currently installed in Colchester Bus station.

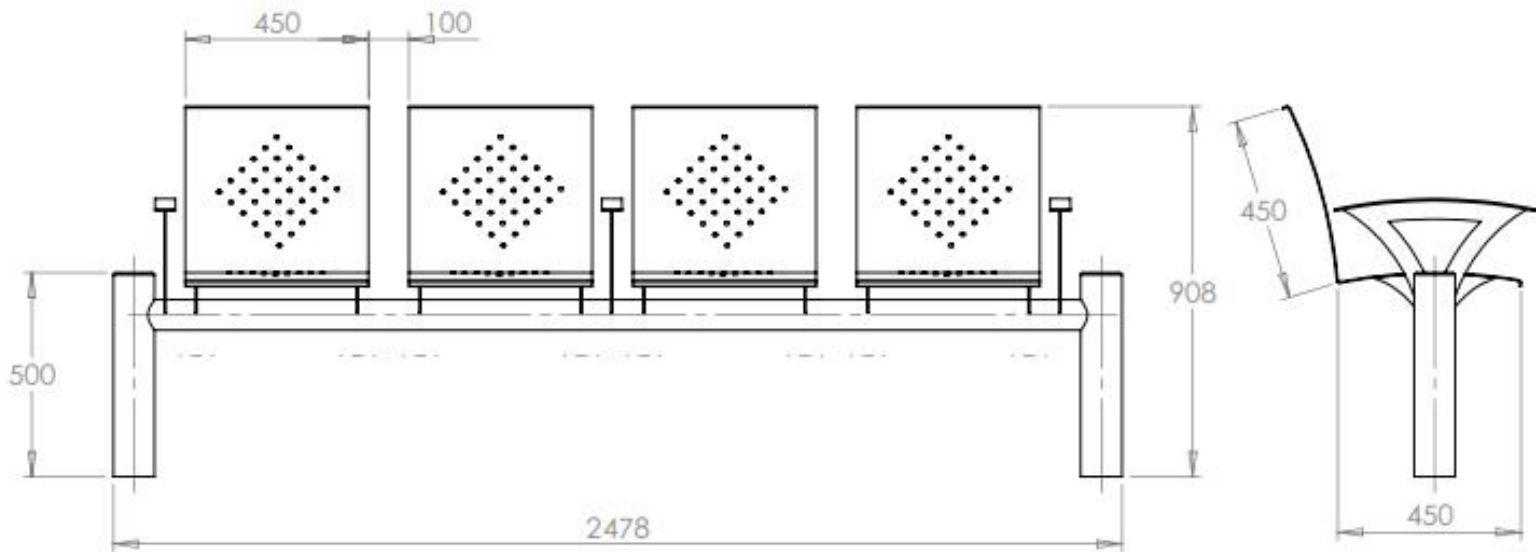
Features:

- Grade 316 Stainless Steel
- Perforated design
- Satin Finish 320 Grit Polish
- 4 seats (2 seater also available)
- 3 armrests

Kent Colchester Bench (4 Seater)**Kent Colchester Bench (2 Seater)**

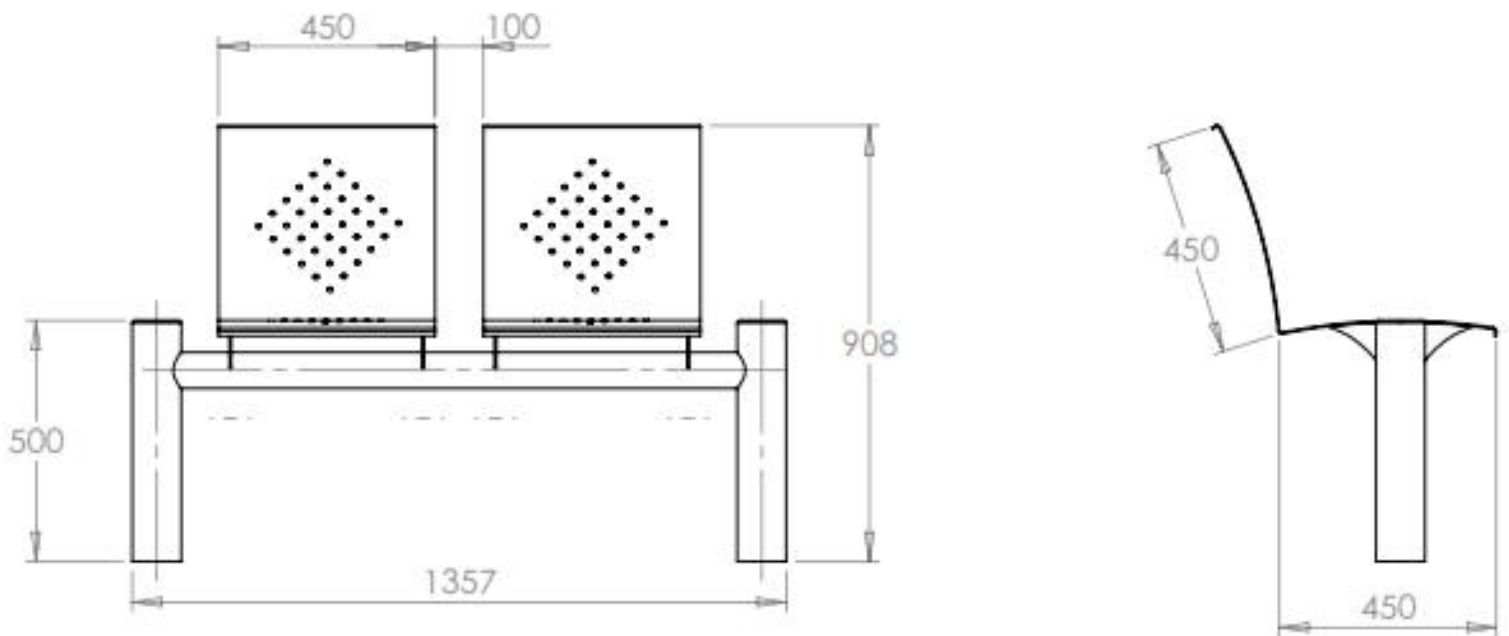
KENT COLCHESTER SEAT KCS-2478/908(4)

Kent Colchester Bench (4 Seater)



Product Code	Length	Width	Height	Seats
Kent Colchester 4 Seater (KCS 2478/908(4))	2478mm	500mm	908mm	4
Kent Colchester 2 Seater (KCS 1357/908(2))	1357mm	500mm	908mm	2

Kent Colchester Bench (2 Seater)



KENT COLCHESTER SEAT KCS-2478/908(4)**Installation Options****Visible Flange:**

- Ensure that the surface to which the bench is mounted is sufficiently strong.
- Position the bench in the correct location. Mark the holes and drill into the surface.
- Place the bench directly over the holes and then fix the bench to the surface using M12 bolts.

Buried Flange:

- Cast a foundation 300mm with minimum dimensions of L350 x W350 x D350mm below the surface.
- Once concrete is set follow steps 1-3 as per flange detail above.
- Fill hole with grout and replace slabs to finish of seat

Cast In:

- Remove pavement and excavate a hole to minimum dimensions of L450 x W550 x D350mm.
- Position your bench in the correct position ensuring correct height and then prop the bench securely.
- Fill the hole with concrete up to the level of the underside of the pavement ensuring a good smooth surface finish.
- Remove props, replace the paving slabs, and ensure that they are well bedded in.



Maintenance of Stainless Steel

Clean the stainless steel components using warm water with a mild detergent with a non-abrasive cloth or sponge. Heavier stains may require the use of a nylon-scouring pad or a stainless steel cleaner.

To remove paint or graffiti use a cloth and Alkaline or solvent paint strippers according to type of paint. In the case of a bead blasted finish, where abrasive cleaning is required, always use a random circular rubbing action with a cloth.

In the case of brushed finishes the surface consists of uniform fine 'scratches' running in one direction so where abrasive cleaning is required always use a straight back and forward rubbing action in the direction of the grain using soap and warm water.

Rust spots or 'tea stains' can occur on the surface of the material, these are normally caused by contamination from ordinary mild steel, particularly in areas where construction work has been undertaken. Such stains can be removed using Rust Remover 410.

In cases where the surface is severely stained because of severe environmental conditions or scratched due to misuse, it may still be possible to restore the original finish using chemicals such as Oxalic Acid solution. There are many stainless steel polishes available to enhance the surface finish.

We recommend Mister Stainless Ltd. as a provider for stainless steel cleaning products.



KENT COLCHESTER SEAT KCS-2478/908(4)

Specify

Customise your size:

Sizes can be customised to suit the surrounding area or amount of seats. Our standard size for our four seater is 2487 x 908 x 500mm

Choose Your Seats

The Colchester seat can come with either 2 or 4 seats as standard

Specify:

Kent Colchester Seat KCS 2478/908(4); L:2478mm, H:908mm, W:500mm; 4 Seater Bench; Grade 316 Stainless Steel; Satin finish 320 Grit Polish; Cast In.

Choose your steel:

Grade 304 Stainless steel
Grade 316 Stainless steel

Choose your finish

Bright Satin
Satin 320 Grit Polish
Powdercoated
Shot Peened

Options

- Bright Satin Finish
- Satin finish 320 Grit Polish
- Grade 304 Stainless Steel
- Grade 316 Stainless Steel
- 2 Seats
- 4 Seats



Testimonials



“We have no hesitation in recommending Kent Stainless and look forward to working with them on public building projects in the future”

- ARUP



“ Kent Stainless scored highly in all regards again”

- BAM



“ Your timely delivery and seamless integration with main contractor Skanska made the overall project a huge success ”

- Forward Swindon

1	Shrub End	Ac		16:56
62	Colch North Stn	Ac		16:58
87	Colch High St	Ae	hedingham	16:59
103	Harwich Rail	Bb		17:00
2	Horkesley Heath	Ab		17:00
8	Highwoods Tesco	Ab		17:02
64	Shrub End	Ad		17:03
67	General Hospital	Ae		17:06
65	Tollgate Sainsburys	Ae		17:07
1A	Shrub End	Ad		17:08
62	Colch Head St	Ac		17:08
87	Brightlingsea	Ae	hedingham	17:10
88	Halstead	Af	hedingham	17:10
77	Colch Head St	Ab		17:11
64A	St Michaels	Ad		17:13
8	Highwoods Tesco	Ab		17:14
67	Colch North Stn	Ac		17:15

Osbi



Kent Stainless Ltd

Ardcavan, Wexford, Ireland

TEL NO: +353 53 9143216
UK FREEPHONE: 0800 376 8377
FAX: +353 53 9141802
WEB: www.kentstainless.com
EMAIL: info@kentstainless.com

