

Kent Slot Drain



**KENT SLOT DRAIN (KSC 125/200/100-10)****Specify:**

Kent Slot Drain KSC 125/200/100-10; Grade 316 SS; Visible; 200mm overall height, 125mm width; 10mm slot;

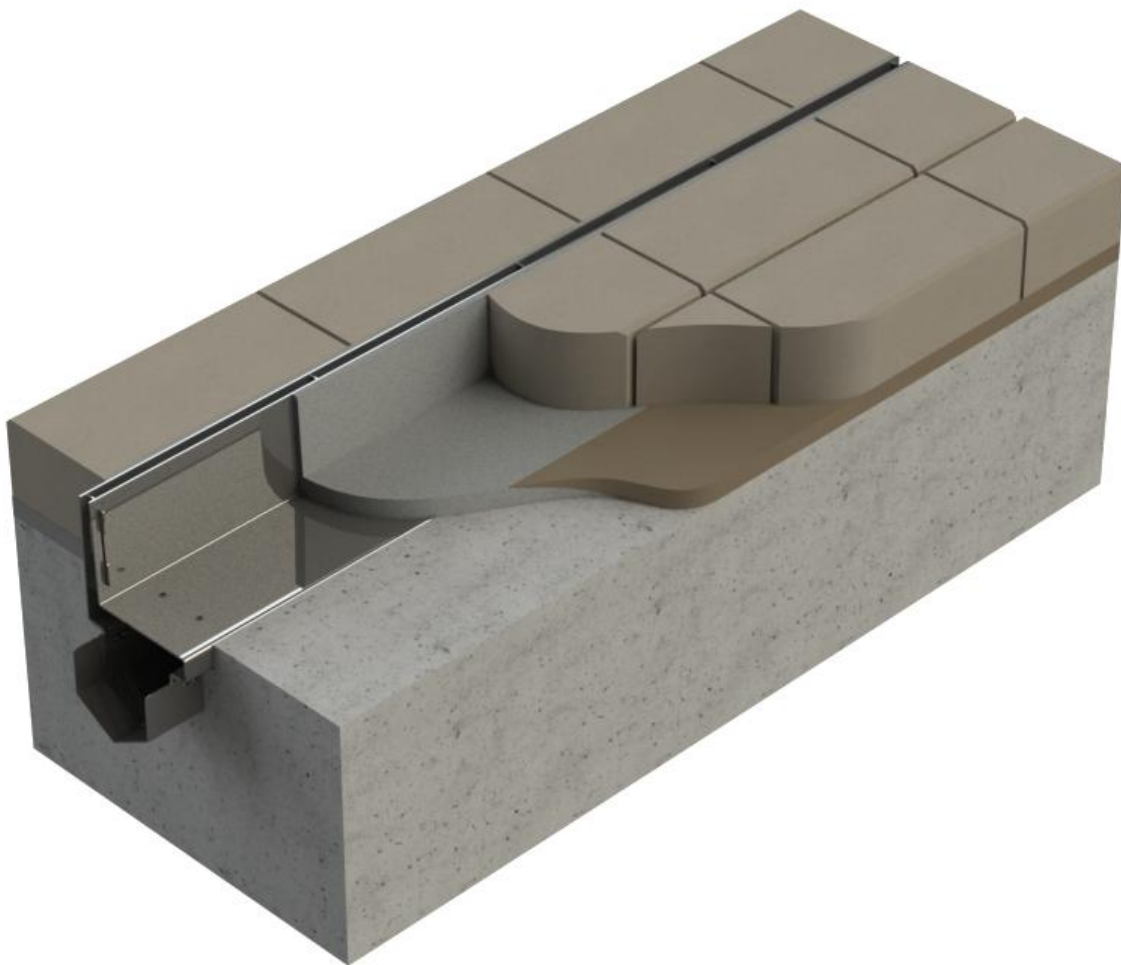
Description:

Kent Slot Drain is a highly effective yet discreet drainage solution for public realm landscapes. The Kent Slot Drain System is made up of five different products; Kent Slot Channel, Recessed Access Cover, Outlet Point, Access Point and Connectors.

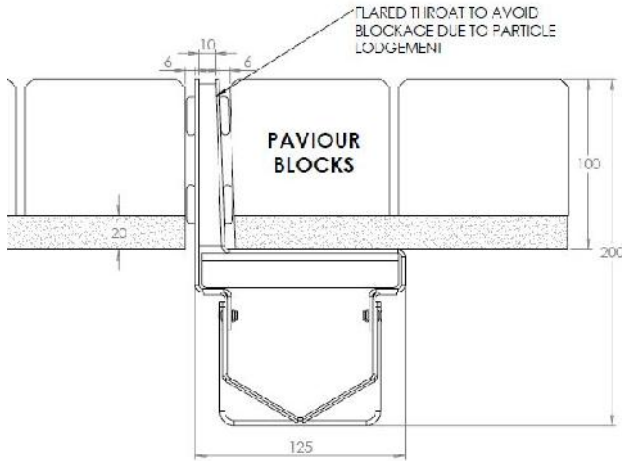
Kent Modular Slot Channel is manufactured in 1000mm lengths for stock which can easily be joined together on site using throat and collar connectors. Lengths can also be cut back on site to match exact lengths required on site.

Features:

- B125 loading as standard- C250 & D400 versions also available
- Flexible modular system - easy to handle and to cut back on site
- Available in either Grade 304 or Grade 316
- 100mm Throat height, 10mm internal slot
- 125mm or 175mm widths available
- Visible, Hidden or Curved options available



KENT SLOT DRAIN (KSC 125/200/100-10)



Kent Visible Slot Channel

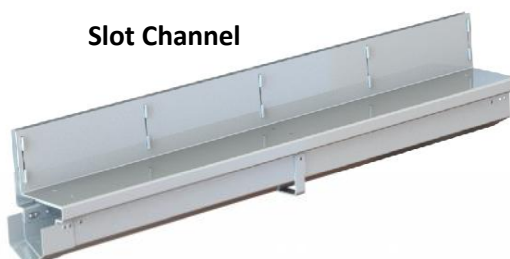
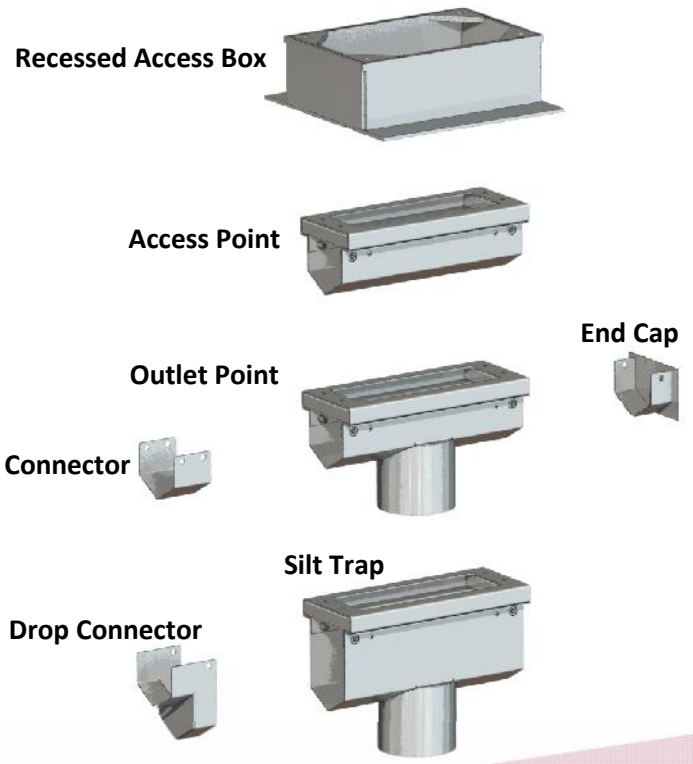
Product Code	Height	Width	Flow Rate
Kent Visible Slot Channel KSC125/200/100-10	200	125	2.3 L/s
Kent Visible Slot Channel KSC125/250/100-10	250	125	5.0 L/s
Kent Visible Slot Channel KSC125/300/100-10	300	125	8.0 L/s
Kent Visible Slot Channel KSC175/200/100-10	250	175	8.0 L/s
Kent Visible Slot Channel KSC175/250/100-10	300	175	13.0 L/s
Kent Visible Slot Channel KSC175/300/100-10	350	175	18.0 L/s

Slot Drain System Elements:

These products when combined make the Kent Slot Drain System.

We recommend the installation of an Recessed access box and either an outlet or access point every 12 meters to ensure cleaning of the drain is possible.

Connectors are used to join channels and access points and end caps are used to cut of the flow of water at the end of a run.



Slot Channel



KENT SLOT DRAIN (KSC 125/200/100-10)

Installed Projects

Canada Water, London (UK)
Kent Curved Slot Drain system



Cubitt Park, London (UK)
Kent Visible Slot Drain installed for use in a water fountain



Bloomberg, London (UK)
Kent Hidden Curved Slot Drain Installed in Bloomberg, London



Leadenhall, London
Kent Hidden Slot Drain Installed in Leadenhall, London



KENT SLOT DRAIN (KSC 125/200/100-10)

Specify

Channel Lengths
Straight
Curved

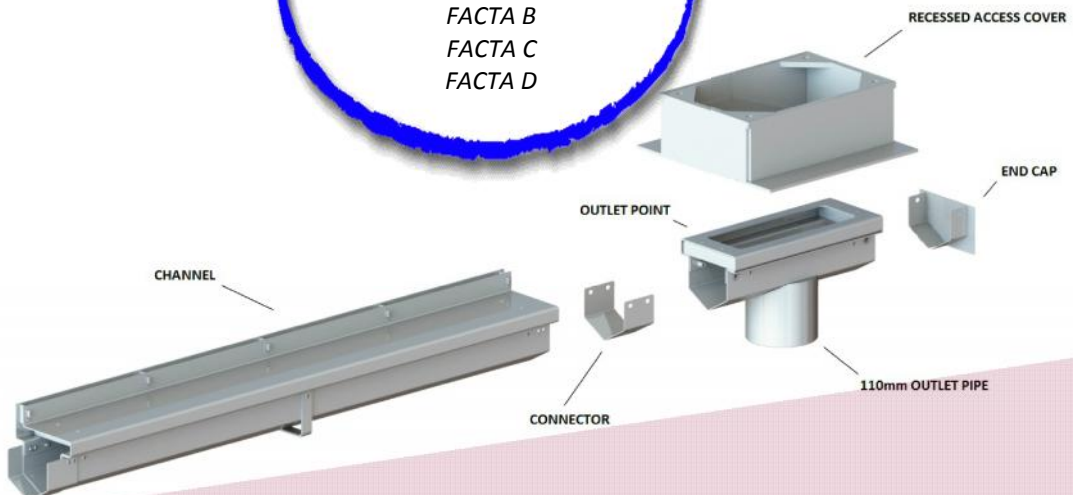
Customise your size:
To suit your projects needs
or go with our standard
1000mm length x 125mm
width x 200mm dept.

Specify:
Kent Slot Drain KSC 125/200/100-10; ; Straight; Visible; 200mm overall height, 125mm width; ; Grade 316 SS; 10mm slot; FACTA B Loading

Choose your steel:
Grade 304 Stainless steel
Grade 316 Stainless steel

Customise your Loading:
FACTAA
FACTA AA
FACTA AAA
FACTA B
FACTA C
FACTA D

Choose you throat
Hidden
Visible



Options
Curved
Visible
Hidden
Grade 304 Stainless Steel
Grade 316 Stainless Steel

FACTA Class	EN124 Class	Slow Moving Wheel Loads	Kent Safety Test
A	A15	0.6T	0.8T
AA	N/A	1.5T	3.1T
AAA	N/A	2.5T	5.2T
B	B125	5T	10.1T
C	C250	6.5T	13.2T
D	D400	11T	22T

KENT SLOT DRAIN (KSC 125/200/100-10)**Maintenance of Stainless Steel**

Clean the stainless steel components using warm water with a mild detergent with a non-abrasive cloth or sponge. Heavier stains may require the use of a nylon-scouring pad or a stainless steel cleaner.

To remove paint or graffiti use a cloth and Alkaline or solvent paint strippers according to type of paint. In the case of a bead blasted finish, where abrasive cleaning is required, always use a random circular rubbing action with a cloth.

In the case of brushed finishes the surface consists of uniform fine 'scratches' running in one direction so where abrasive cleaning is required always use a straight back and forward rubbing action in the direction of the grain using soap and warm water.

Rust spots or 'tea stains' can occur on the surface of the material, these are normally caused by contamination from ordinary mild steel, particularly in areas where construction work has been undertaken. Such stains can be removed using Rust Remover 410.

In cases where the surface is severely stained because of severe environmental conditions or scratched due to misuse, it may still be possible to restore the original finish using chemicals such as Oxalic Acid solution. There are many stainless steel polishes available to enhance the surface finish.

We recommend Mister Stainless Ltd. as a provider for stainless steel cleaning products.



Testimonials

PARSONS
Parsons International Limited
P. O. Box 2091, Doha, Qatar • Tel: (+974) 4408-8444 • Fax: (974) 4437-7434 • www.parsons.com

Kent Stainless
Ankovan, Westford
Ireland

5 January 2012

Attention : Mr. Shane Curtis & Michael Harley
Project : Lissill Construction Package 1 - CPI
Subject : **CPI, Kent Stainless, Lissill City, Qatar**

Dear Shane & Michael,

I am writing to express my thanks for the works delivered by Kent Stainless to the Lissill Project in Doha. Your willingness to work with the client, designers and contractors to finalise the specifier detailing, produce the shop drawings and samples has been second to none and has added significant value to the project.

The in-house engineering completed by Kent Stainless and the knowledge and advice given to finalise the design was outstanding. All the products delivered to date have been fully compliant and of the highest quality.

Finally, your frequent presence on site and customer focus has enabled this technically difficult package of works to be finalised in the shortest possible time.

We hope to see you again on future projects.

Yours Sincerely

Patrick McComack
Parsons CPI

“ The In-house engineering completed by Kent Stainless and the Knowledge and advice given to finalise the design was outstanding ”

- Parsons

SKANSKA

Skanska Construction UK Ltd T/A
Skanska Infrastructure Services
Unit 1
Blyth Grove House
Dunham Way
Blyth Grove
Ridgeway North
Wetherby W5 3 9JG

Phone +44 (0)1937 776888
Fax +44 (0)1937 423593

Web www.skanska.co.uk
Reg. in England
Reg. No. 5314329

Registered Office: Mace Cross House
Dunham Way, Blyth Grove, Wetherby, West Yorkshire, Wetherby W5 3 9JG

For the attention of: Michael Hurley

Kent Stainless
Ardavan
Westford
Ireland

Our ref: MW/002/20312 29 March 2010
Your ref:

Dear Michael,

Re: Letchworth Garden City, Marhotes, Grites, Drainage & Tree PI Frames

With reference to Letchworth Garden City, we were delighted to work on such a prestigious award winning scheme. The choice of subcontractor and suppliers was crucial to us delivering such a high standard & Kent Stainless were instrumental in this.

As with all our projects during the last 5 years Kent delivered promptly and with the right quality - thanks for your help & keep up the good work.

The client and the main contractor both were delighted with the quality of the work supplied by Kent Stainless. You showed great flexibility and your quality was right first time again.

Yours faithfully,

for and on behalf of
Skanska Infrastructure Services

Matt Wincott

“ The client and the main contractor both were delighted with the quality of the work supplied by Kent Stainless ”

- Skanska

**DIRECTOR OF SERVICES
CORPORATE AFFAIRS & ROADS**
ADEIM

15th January 2010

Mr: Stephen Roche,
Kent Stainless,
Ankovan,
Westford,
Ireland.

RE: **Wexford Main Street Regeneration**

Dear Stephen,

Thanks for your help with the designs of manholes and gully covers for Wexford Main Street. We invested heavily in the new paving works and to break up the beautiful stone work with solid cast covers would have been a real shame. The solutions you provided with recessed covers in stainless steel with laser engraving blended in perfectly with the look and feel we wanted to portray for the street.

Because of the engineering know-how you provided and flexibility in design, we will certainly return to Kents for further work. We were delighted to find an Irish manufacturer could provide all solutions, and even better a Wexford based engineering firm.

Yours faithfully,


Adrian Doyle,
Director of Services,
Corporate Affairs & Roads

e-mail: adrian.doyle@wexfordccoco.ie
☎ 053 9176400

100 Years of Community Service
Cuid 100 bli ag teilim arís le Wexford

“ Because of the engineering know-how you provided and flexibility in design, we will certainly return to Kents for further work ”

- Wexford County Council



Kent Stainless Ltd

Ardcavan, Wexford, Ireland

TEL NO: +353 53 9143216
UK FREEPHONE: 0800 376 8377
FAX: +353 53 9141802
WEB: www.kentstainless.com
EMAIL: info@kentstainless.com

