

Kent Stainless Skirting



Kent Stainless Skirting (KSS 60) is designed primarily to ensure a consistent watertight seal between floor and wall panels.

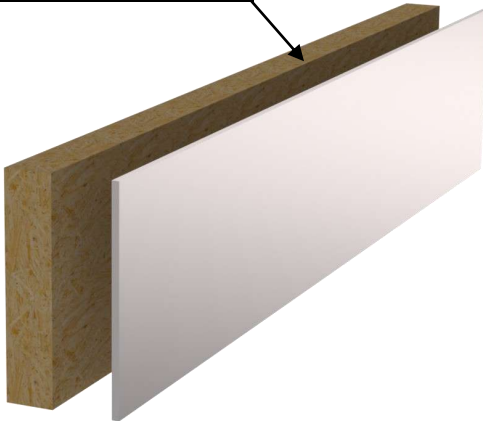
Stainless steel skirting also has the added benefit of providing impact resistance to trolleys and mobile units.

Suited best in high traffic areas such as airports, rail stations, stadia etc.

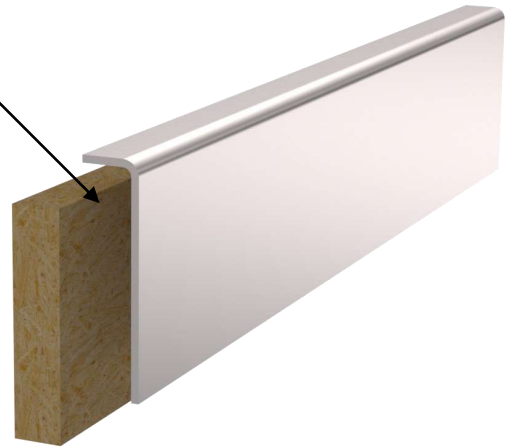
Features:

- 2mm or 3mm thick steel
- Satin finish 320 Grit polished
- Grade 304L or 316L stainless steel
- Easy to maintain & clean

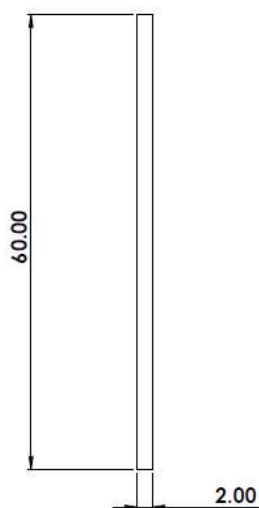
Wood provided by others



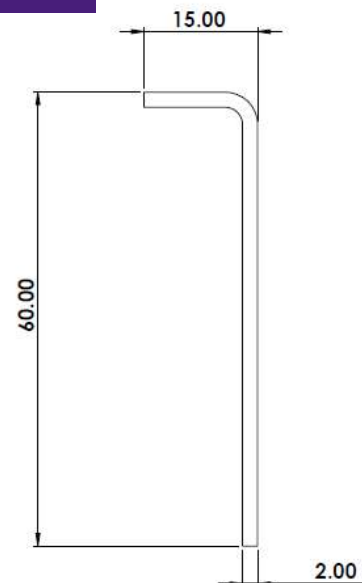
Fix with adhesive



Standard Profile

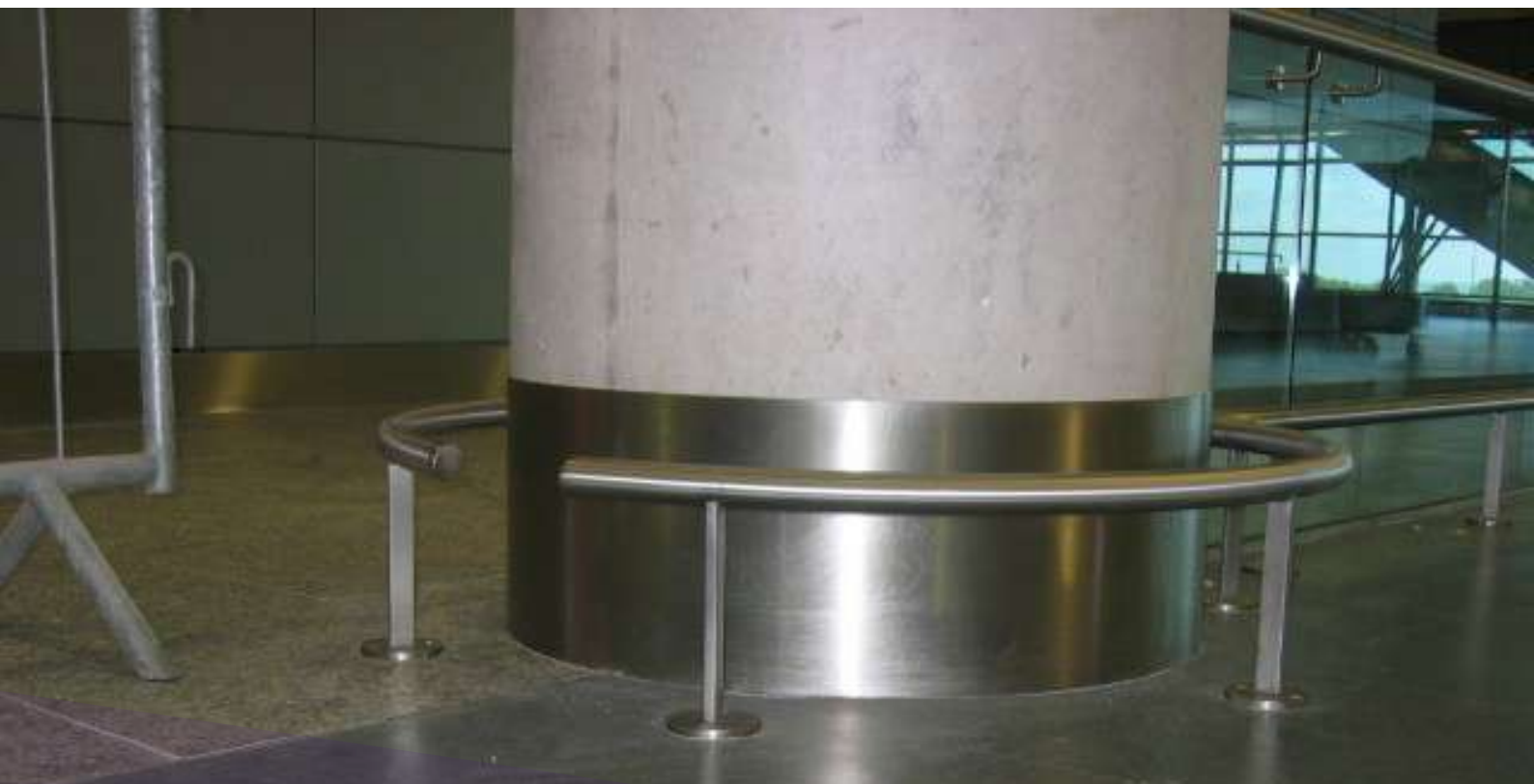
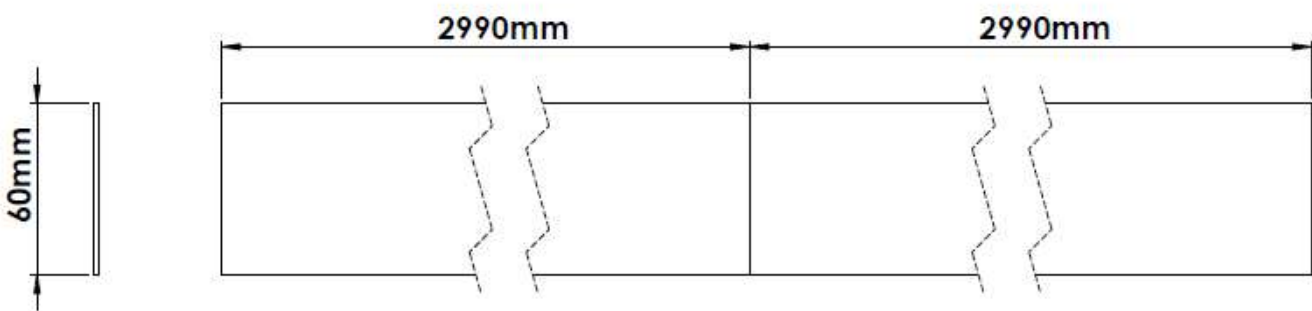


Folded Profile



KENT STAINLESS SKIRTING

Product Code	Length	Height
Kent Stainless Skirting KSS 60	2990mm	60mm
Kent Stainless Skirting KSS 80	2990mm	80mm
Kent Stainless Skirting KSS 100	2990mm	100mm
Kent Stainless Skirting KSS 120	2990mm	120mm



Specify

Choose your steel:
Grade 304L Stainless steel
Grade 316L Stainless steel

Customise your size, or go with our standard 2990mm x 60mm (See size chart on page 2 for dimensions)

Specify:

Kent Stainless Skirting (KSS 60); Grade 304L Stainless Steel; L:2990mm, H: 60mm; 2mm Thick Steel; Satin Finish 320 Grit Polish; Standard.

Choose your thickness:
2mm
3mm

Choose your profile:
Standard
Folded

Maintenance of Stainless Steel

Clean the stainless steel components using warm water with a mild detergent with a non-abrasive cloth or sponge. Heavier stains may require the use of a nylon-scouring pad or a stainless steel cleaner.

To remove paint or graffiti use a cloth and Alkaline or solvent paint strippers according to type of paint. In the case of a bead blasted finish, where abrasive cleaning is required, always use a random circular rubbing action with a cloth.

In the case of brushed finishes the surface consists of uniform fine 'scratches' running in one direction so where abrasive cleaning is required always use a straight back and forward rubbing action in the direction of the grain using soap and warm water.

Rust spots or 'tea stains' can occur on the surface of the material, these are normally caused by contamination from ordinary mild steel, particularly in areas where construction work has been undertaken. Such stains can be removed using Rust Remover 410.

In cases where the surface is severely stained because of severe environmental conditions or scratched due to misuse, it may still be possible to restore the original finish using chemicals such as Oxalic Acid solution. There are many stainless steel polishes available to enhance the surface finish.



Kent Stainless Ltd

Ardcavan, Wexford, Ireland

TEL NO: +353 53 9143216
UK FREEPHONE: 0800 376 8377
FAX: +353 53 9141802
WEB: www.kentstainless.com
EMAIL: info@kentstainless.com

