



KVCR Deep Sump Floor Drain

The KVCR265/4"RD Deep Sump Floor Drain is a Round Top, Round Body/Bottom Outlet Drain for Heavy Duty Areas with High Flow Rates—typically 97 gallons per minute or 6 litres per second. This is a sealed cleanroom drain with a strong positive seal created by machining away a 0.4" (10mm) groove from a 0.6" (15mm) top plate. A 0.4" (10mm) top plate with a recessed 'O-ring' creates the seal. This top plate is then removable with a heavy duty suction cup available as an accessory. They are designed for use primarily in Pharmaceutical factories. They can be used in both light duty and very heavy duty trafficked areas (sealed gullies are most often used in laboratories or cleanrooms which are limited to pedestrian traffic - however the 0.4" (10mm) top plate makes it possible to drive heavy factory traffic over these gullies). As standard the KVCR265/4"RD takes a 0.4" (10mm) thick sealed grating but 0.4" (10mm) slotted and perforated gratings can also be used. In most cases a 4" or 6" SCH10 outlet is required because these are most popular with American Multinational Pharmaceutical companies who have scheduled stainless steel pipework to connect to, but this can easily be substituted for a 110mm or 160mm.

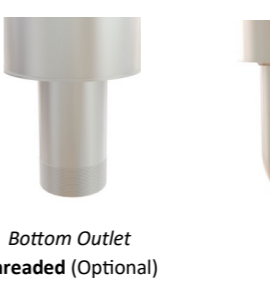
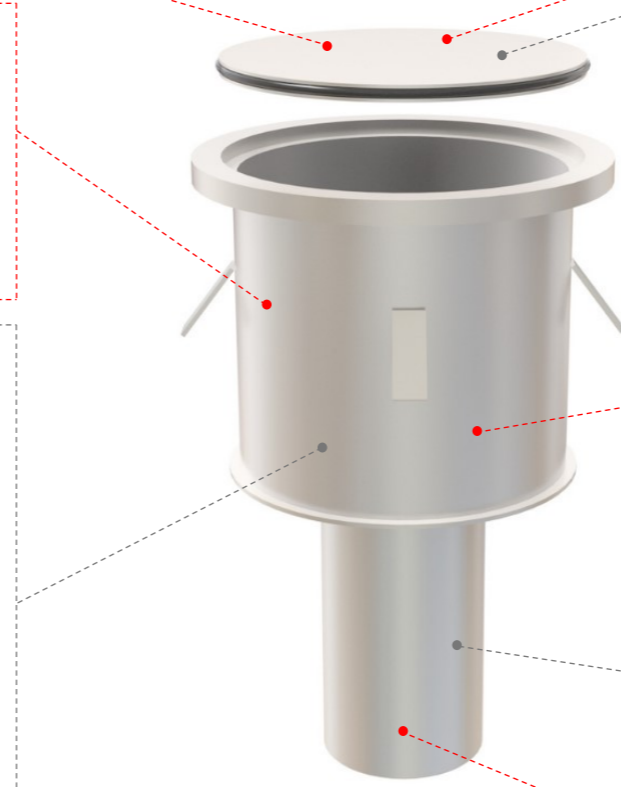
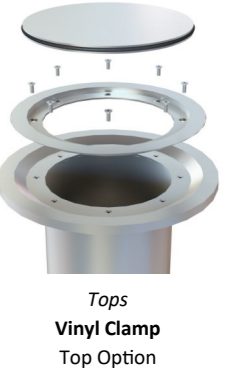
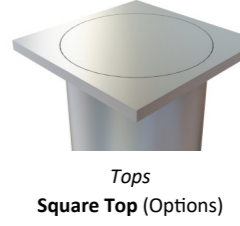
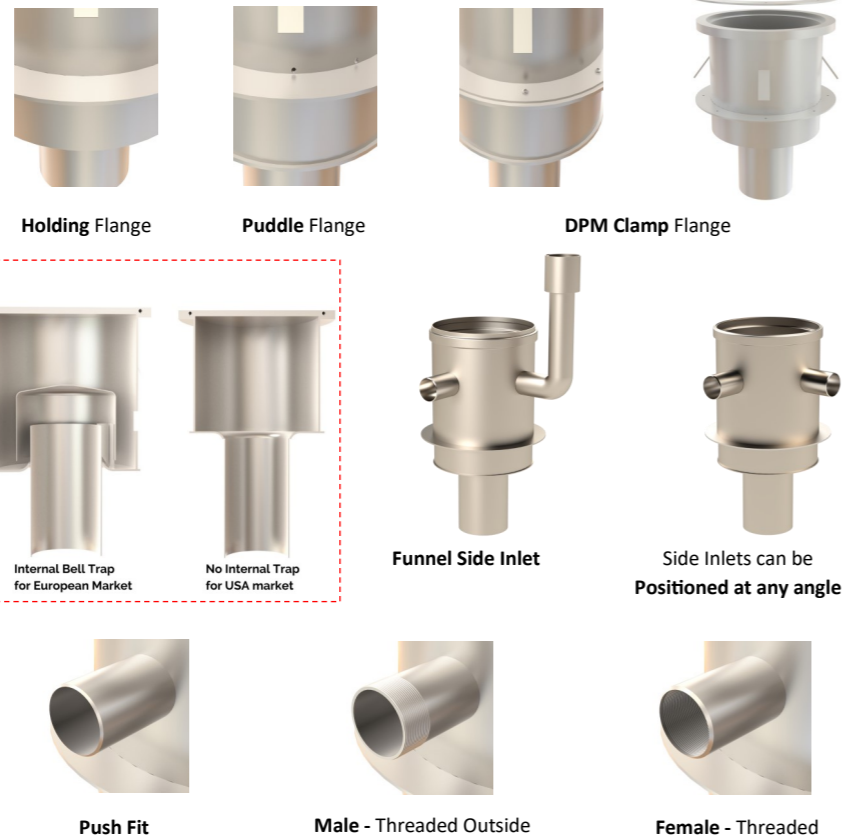
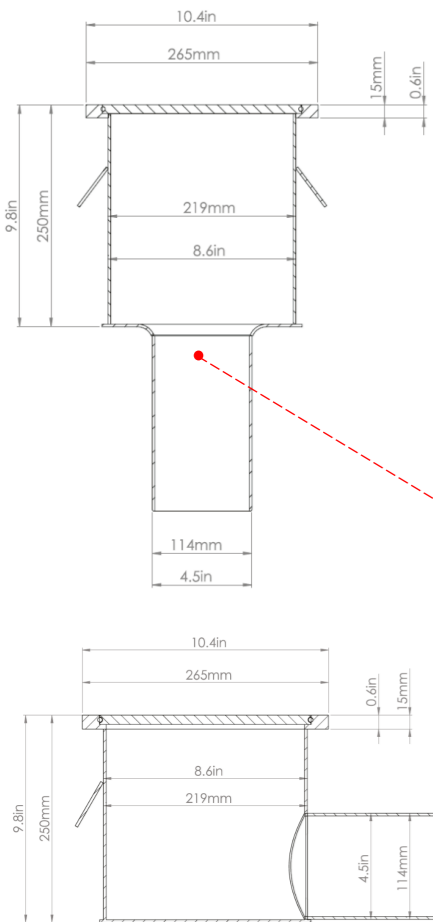
INDUSTRIES

- BioPharma
- Pharmaceutical
- Laboratories

Specify: Kent KFT600/600/KV215/110 trapped floor tray; 600mm x 600mm; grade 304 stainless steel; complete with Mesh grating and filter basket.

Choose the product code from the dimensions table on the left.

(amend underlined words to suit project)



Product Code	Height	Top Diameter	Body Diameter	Outlet	Flow Rate US GPM
KVCR265/4" RD	9.84in (250mm)	10.43in (265mm)	8.6in (219mm)	4" SCH 10	97.8 GPM (6.171 l/s)
KVCR265/6" RD	9.84in (250mm)	14.37in (365mm)	12.55in (319mm)	6" SCH 10	228 GPM (14.39 l/s)

Product Code	Height	Top Diameter	Body Diameter	Outlet	Flow Rate US GPM
KHCR265/4" RD	9.84in (250mm)	10.43in (265mm)	8.6in (219mm)	4" SCH 10	82.42 GPM (5.2 l/s)
KVCR265/6" RD	9.84in (250mm)	14.37in (265mm)	12.55in (319mm)	6" SCH 10	127.9 GPM (8.07 l/s)