



KVCRP Pop Up Drain - Double Contained / Dual Skin

This is a Dual Skin, Twin Walled or Double Contained version of our KVCRP Pneumatic Floor Gully. The pneumatic connection is accessed from **inside** the drain body. A flange supplied by Kent is mechanically connected to the inward air pipe. A second flange is connected to the internal air pipe and these come together to form a double flange/gasket connection.

There are 3 options for the pneumatic valve choice:

Single Acting Sprung Out Cylinder

Air supply required **to close the drain** and exhausted to allow the cover to open using an internal spring. This system is generally used when the drains are connected to the fire suppression system. In the event of the air supply system failing the covers will open.

Single Acting Sprung In Cylinder

Air supply required **to open the drain** and exhausted to allow the cover to close using an internal spring. This system is generally used in clean production areas. In the event of the air supply system failing the covers will remain sealed.

Double Acting Cylinder

Air supply is required **to both open and close the drain**, this system is generally used when drains are to be opened for cleaning / wash down cycles. Constant air supply required to keep the cover sealed.

INDUSTRIES

- BioPharma
- Pharmaceutical
- Laboratories



Activated by Control Room



Activated by Sprinkler System



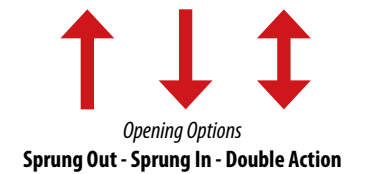
Activated by Wall Mounted Rotary Switch



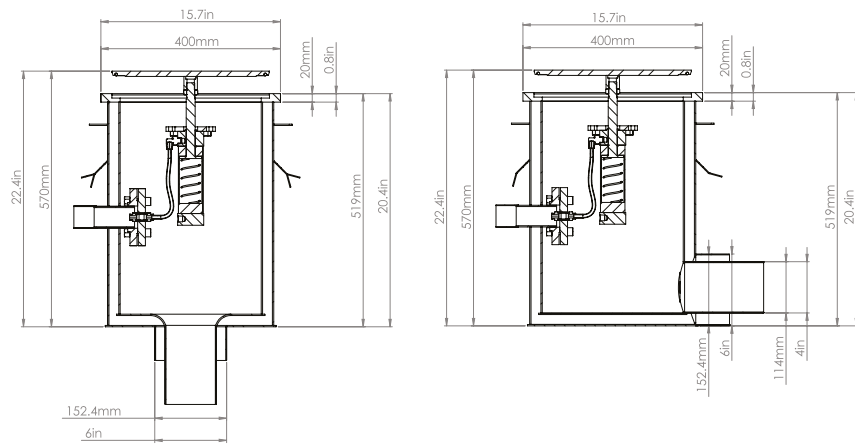
Tops Round Top Standard for Poured Floors

Tops Square Top Options

Tops Vinyl Clamp Top Option



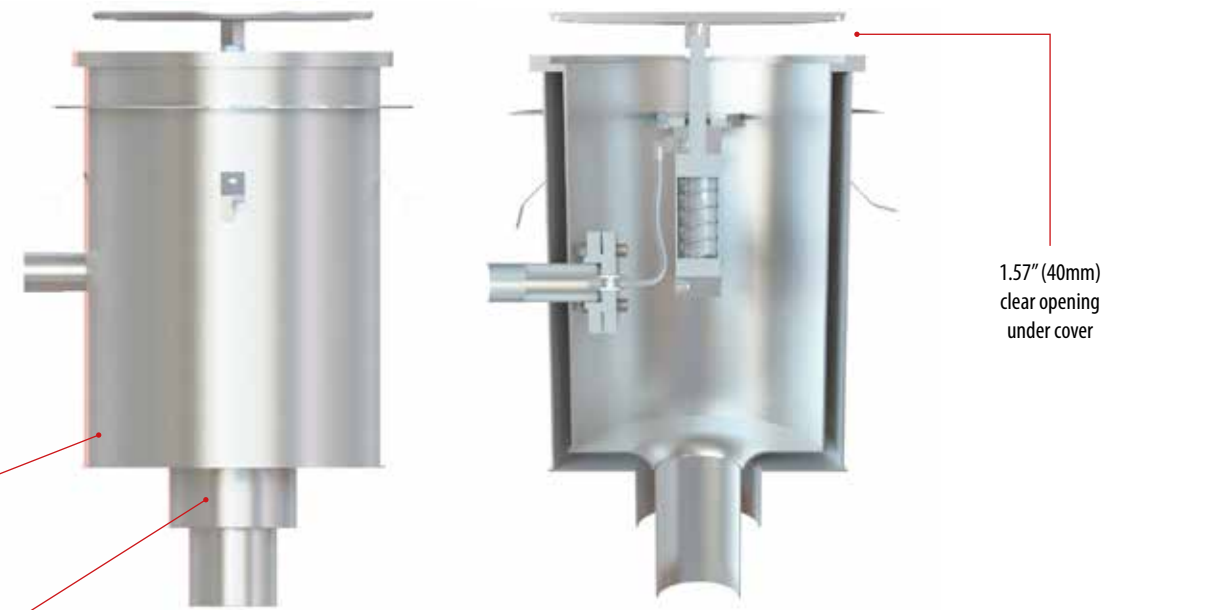
Air Connection Activation



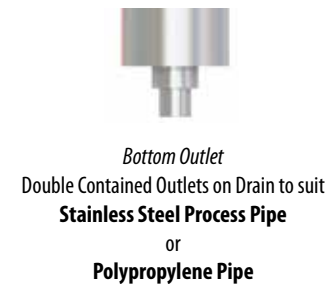
Holding Flange

Puddle Flange

DPM Clamp Flange



1.57" (40mm) clear opening under cover



Bottom Outlet Double Contained Outlets on Drain to suit Stainless Steel Process Pipe or Polypropylene Pipe



KVCRP Bottom Outlet

KHCRP Side Outlet



Bottom Outlet With P Bend Trap



Side Outlet With Running Trap for side outlets

Product Code	Height	Top Diameter	Body Diameter	Outlet	Flow Rate US GPM
KVCRPDC400/4"/6" RD	20.4in (519mm)	15.7in (400mm)	14.56in (370mm)	4" Sch 10	126.8 GPM (8.0 l/s)
KVCRPDC400/6"/8" RD	20.4in (519mm)	15.7in (400mm)	14.56in (370mm)	6" Sch 10	317 GPM (20 l/s)
Side Outlet					
KHCRPDC400/4"/6" RD	20.4in (519mm)	15.7in (400mm)	14.56in (370mm)	4" Sch 10	97.1 GPM (6.0 l/s)
KHCRPDC400/6"/8" RD	20.4in (519mm)	15.7in (400mm)	14.56in (370mm)	6" Sch 10	221.9 GPM (14.0 l/s)