



KNEC 125 External Neat Edge Channel

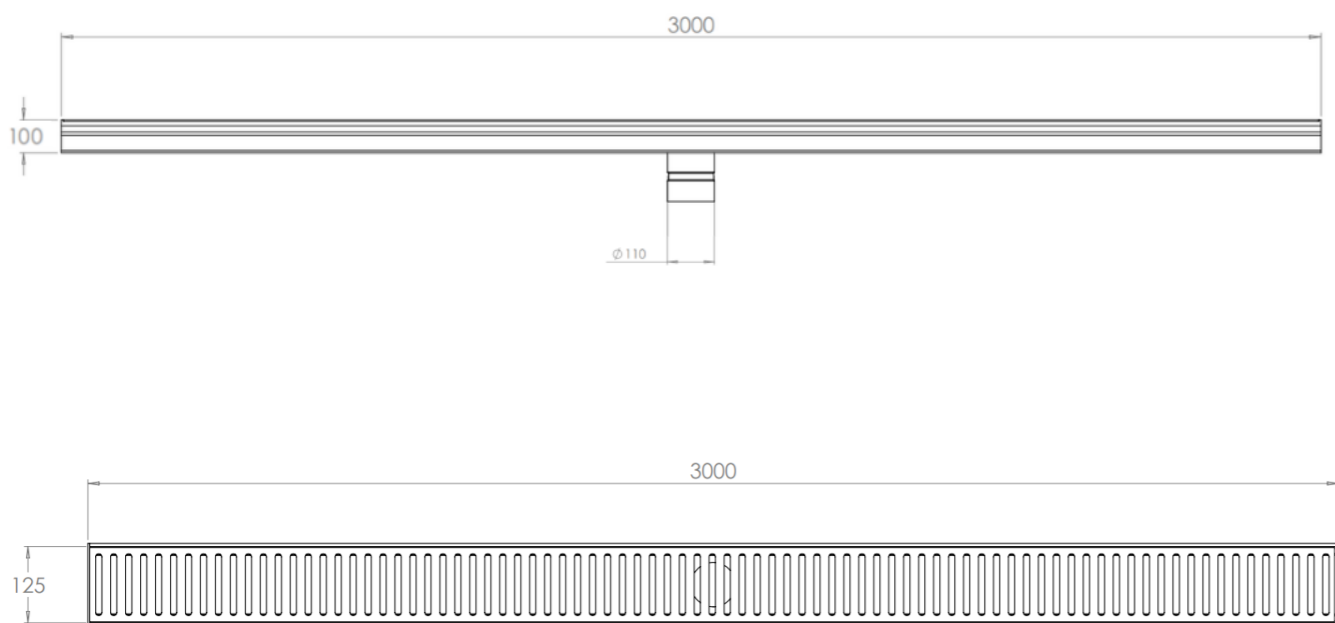
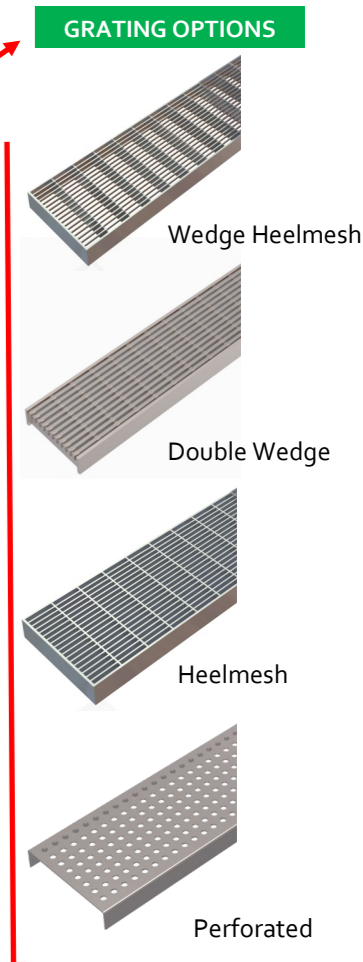
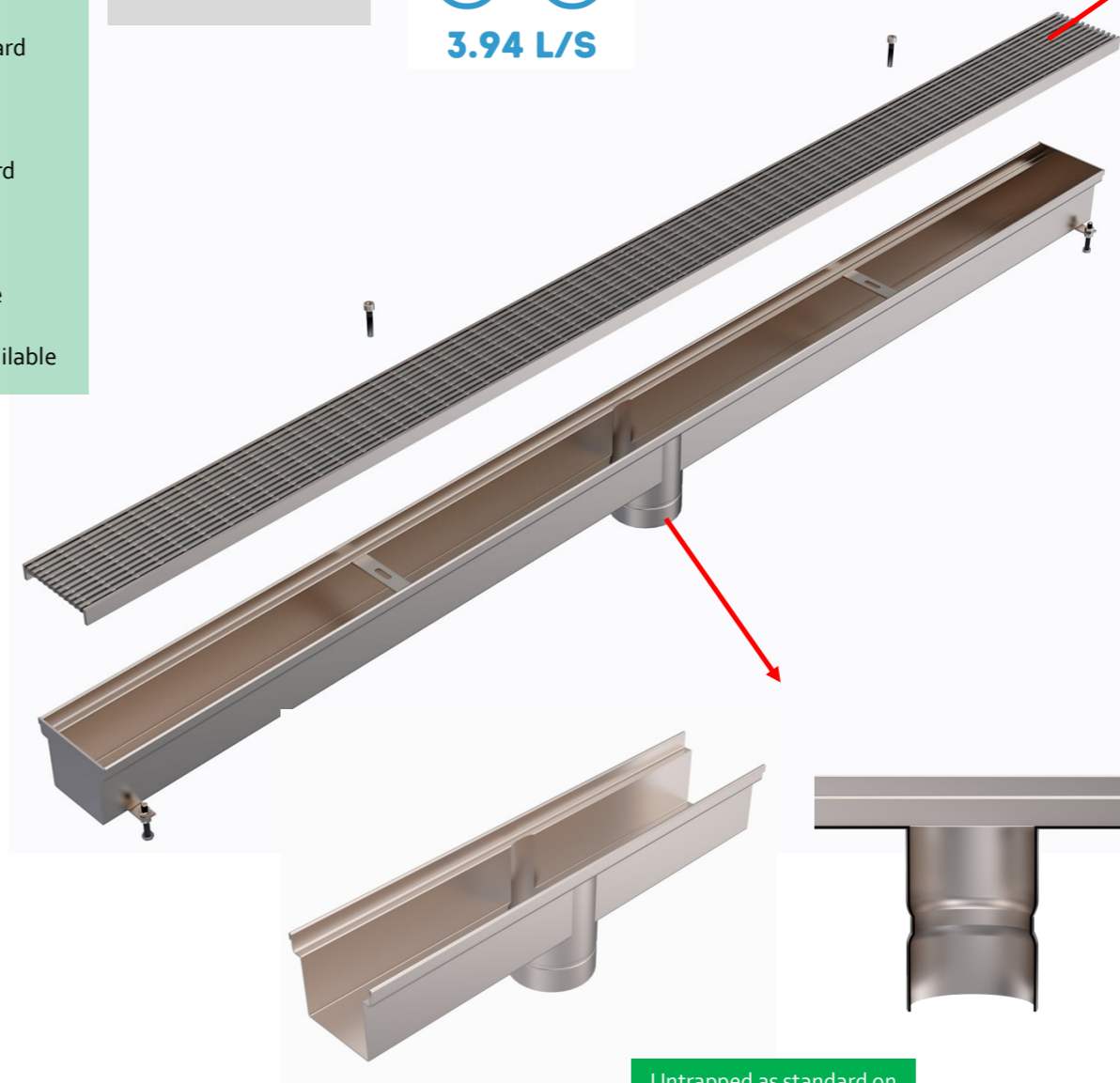
The **KNEC125** is a highly effective stainless steel channel with discreet neat edge shoulders that is suitable for **external** installation.

As **standard**, this channel comes with a 125mm clear opening. However, can also be **customised** to suit project requirements.

This channel can be supplied with **various gratings** including heel safe and barefoot. As standard we use a 'throat and collar' connection joint which is sealed with silicone by the contractor. This allows cutting on site of some smaller final lengths. The **"throat and collar"** connection can be specified instead as a **"flange and gasket"** connection where watertightness is critical. As standard our gratings used externally have hidden lock-down points. **Loadings** can vary from pedestrian to heavy vehicle traffic depending on the choice of grating and profile of concrete surrounding the channel.

- Features:**
- Pedestrian & vehicle loadings available
 - 316L Stainless steel as standard
 - Hidden lock down point
 - 125mm clear open as standard
 - 100mm depth as standard
 - Site specific lengths available
 - Straight or curved option available

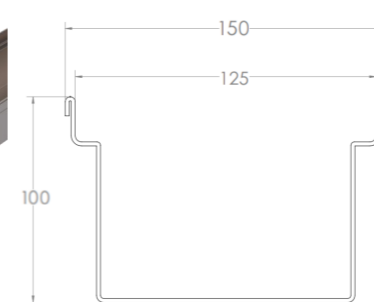
- Applications/Industries**
- ◊ Urban Streetscape
 - ◊ Door Thresholds



Untrapped as standard on all 'external' projects

Product Code	Min. start depth	Width	Outer Width	Outlet	Flow Rate
KNEC125/KV110(EXT)	100	125	130	110	3.94 l/s

Specify: Kent Neat Edge Channel KNEC125/KV110 (EXT); to take 125mm wide grating; Grade 316 Stainless Steel; Grating will be Kent Double Wedge Heelmesh Type; Load Class B



Throat and collar connection as standard.

Flange and gasket available.

BS EN1433 Loading Class 15/ B125/C250/D400
Our external channels can be subjected to very heavy loads but must have the correct heavy duty grating to achieve these loads. Suitable for Streetscape projects.

