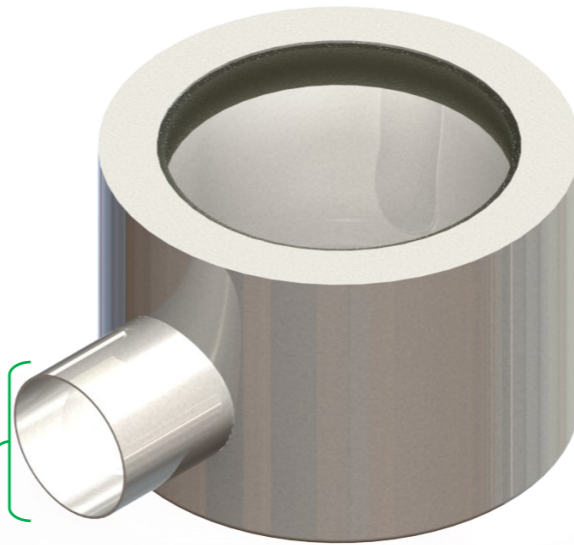


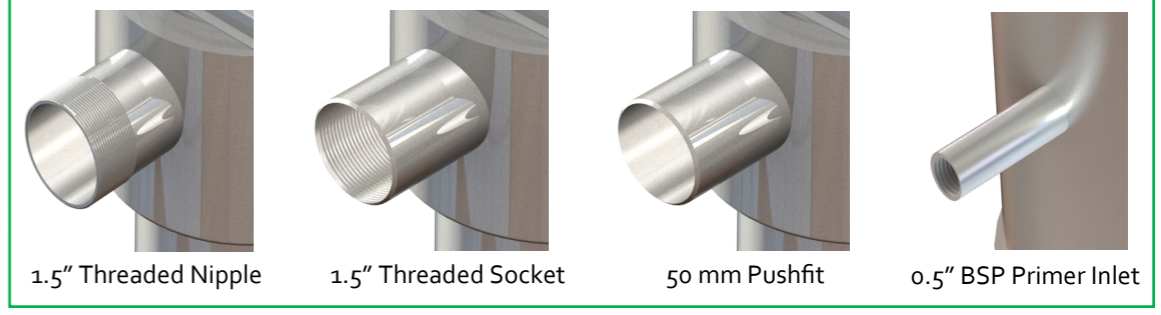
Our range of gullies that offer the KHBO Horizontal Outlet body—See hyperlink for individual drain details

On our Commercial Drainage range of gullies, we use a horizontal body to convert our 110mm bottom outlet drain to a side outlet drain. This is not usually sold as a standalone product and is used to demonstrate the range of options available to products with a KHBO Body option. These products account for 10 of our 48 available gullies. The side outlet of these bodies is a choice of 50mm, 1.5" BSP or 75mm OD. The advantages of the KHBO body is that it offers 65mm of vertical adjustment as well as 360 degrees of rotational freedom all while providing a wide range of flange and inlet options.

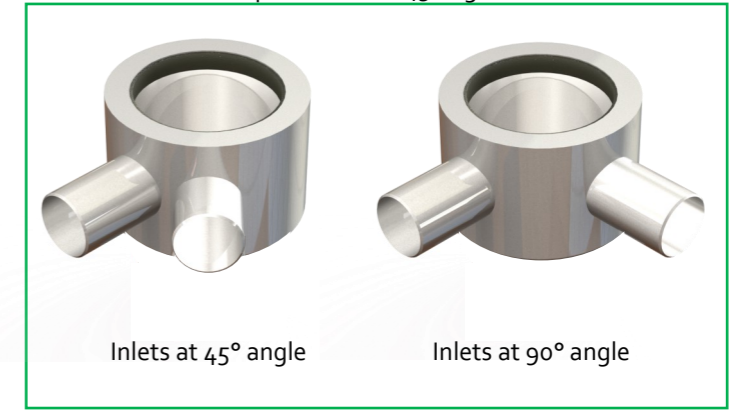


The side outlet is supplied as standard as 50mm but optional 1.5" BSP or 75mm OD outlets can be supplied

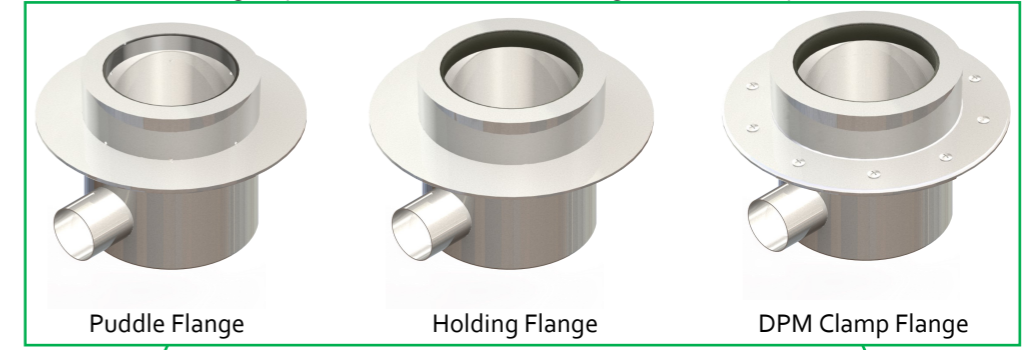
Inlet options available—Threaded inside or outside options available. Size adjustable



Inlets can be positioned at 45 degree increments



Flange Options Available—Puddle Flange features weepholes



We also offer upstand inlet for more niche projects

