

The KTG342 Gully is a triangular top stainless steel gully for tiled and poured floor areas next to two tiled walls. As an option it can have a lockdown perforated grating. The KTG342 are designed for showers and washrooms as the 30mm wall flange on the right angle of the triangle is specially designed as a tanking measure where this drain is to be located.

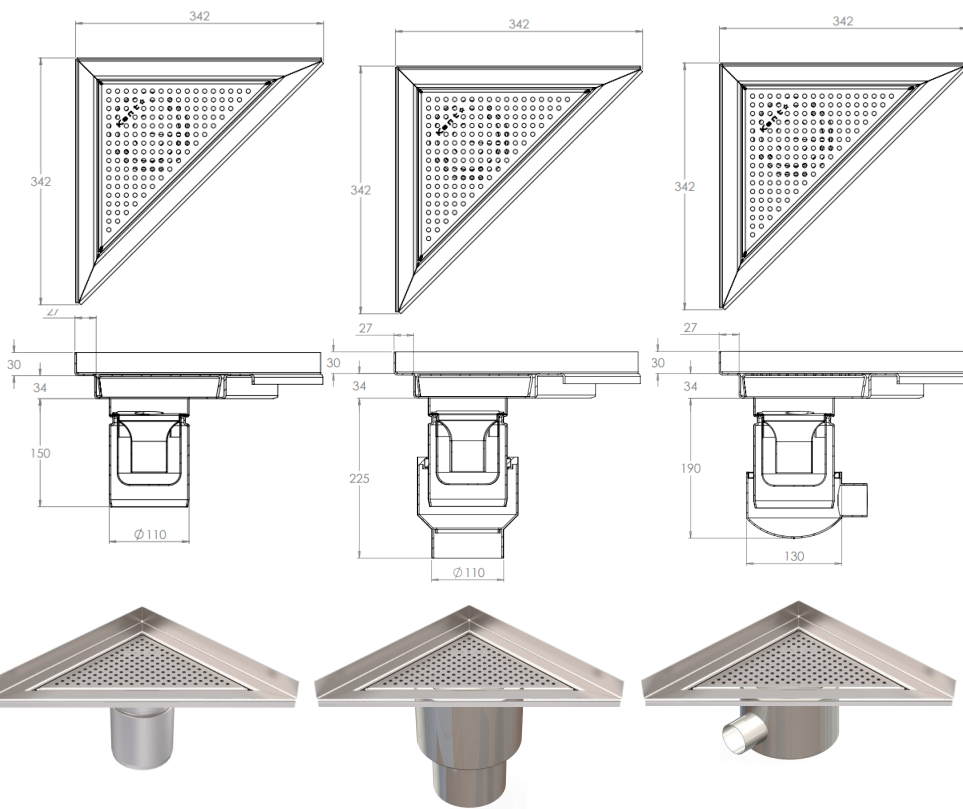
The Foul Air Trap comes as standard with an optional Strainer available.

The Height Adjustment bodies, both bottom outlet and side outlet, allows for optional flanges and side inlets to be included, simply specify any additional modifications required. More info on these can be found on the KVBO and KHBO body product pages.

- Features:**
- Grade 304 (1.4301) or 316 (1.4401) Stainless Steel to BS EN 10088
 - Usable in barefoot areas only
 - Suitable for showers
 - Includes 30mm waterproofing wall flange
 - Lock down optional

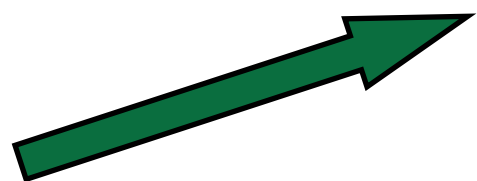
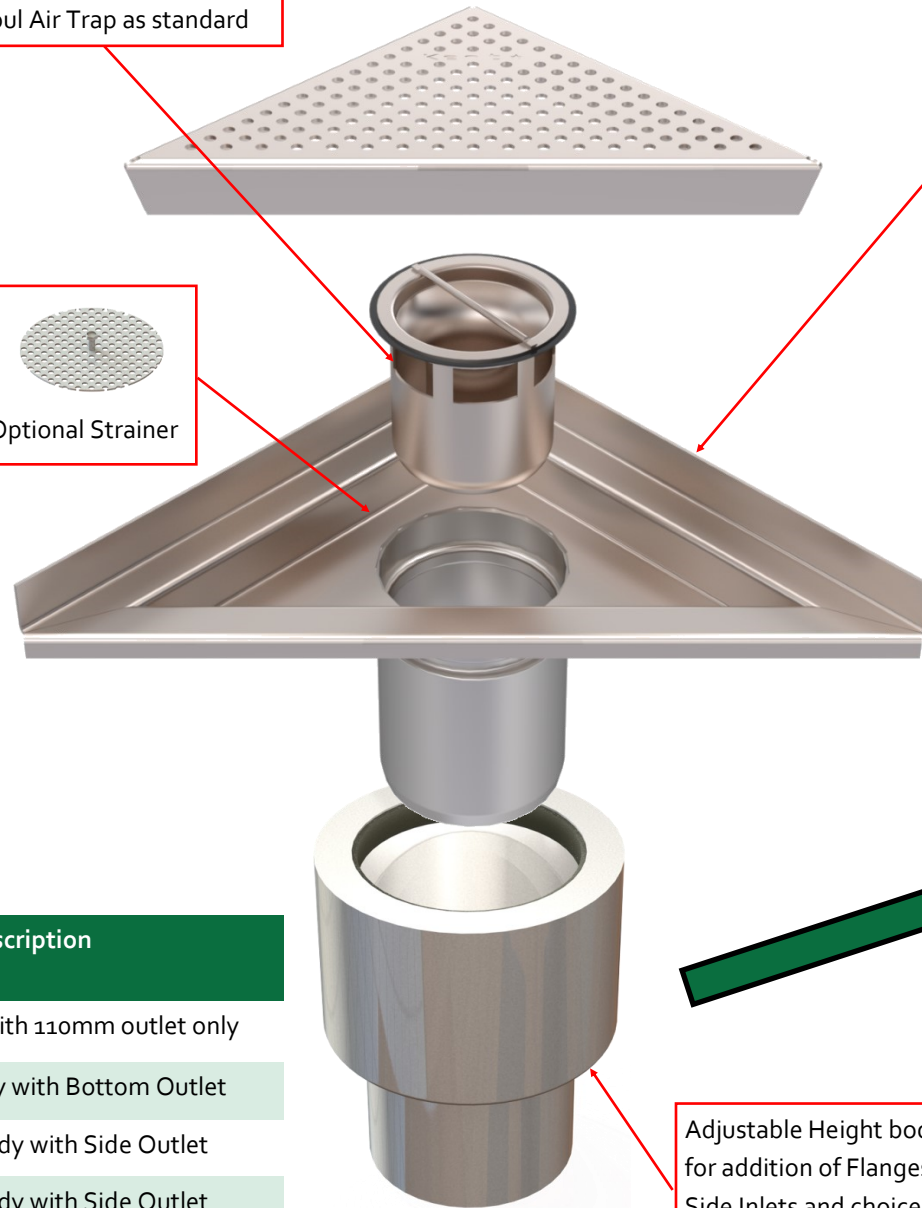


The 30mm wall flange is perfect for sealing the drain behind tiles in bathrooms and showers

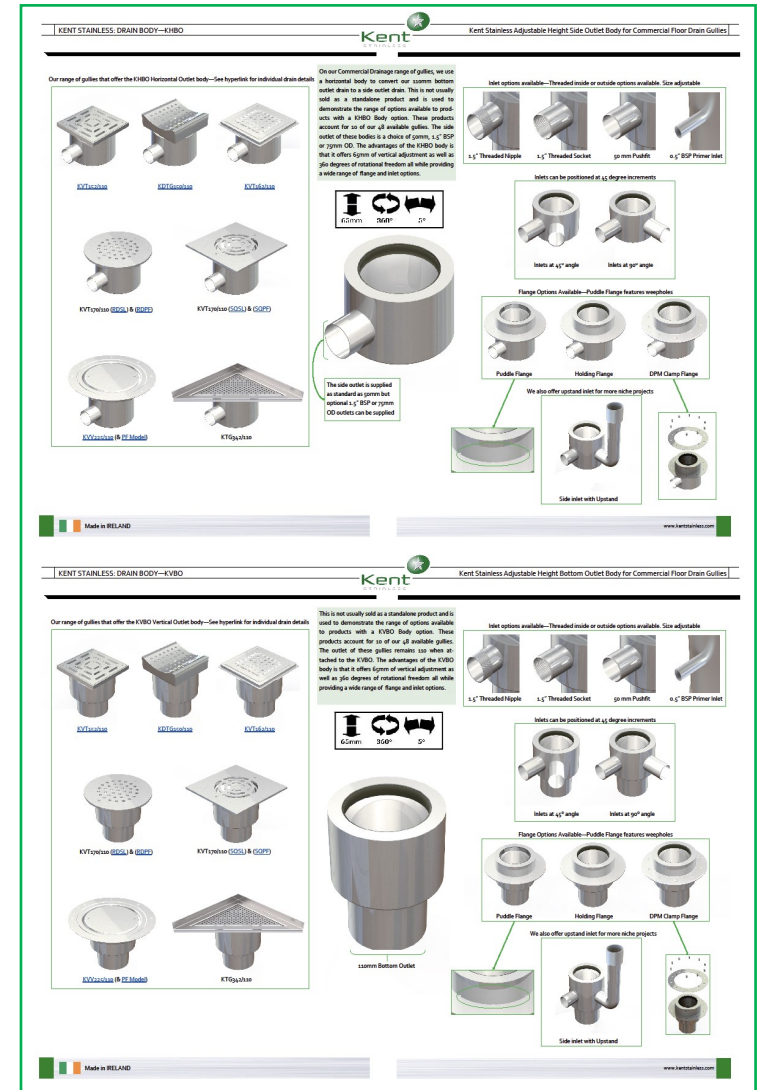


Top Part with Perforated Grate and Foul Air Trap as standard

Optional Strainer



Adjustable Height body allows for addition of Flanges and Side Inlets and choice of Bottom/Side outlet



For Body Modifications, see the KVBO and KHBO Product Pages

Product Code	Height	Width	Depth	Outlet	Flow Rate*	Description
KTG342/110 TP	214	342	342	110	1.4 l/s	Triangular Top with 110mm outlet only
KVTG342/110	289	342	342	110	1.4 l/s	Adjustable Body with Bottom Outlet
KHTG342/50	254	342	342	50	0.9 l/s	Adjustable Body with Side Outlet
KHTG342/1.5"	254	342	342	1.5"	0.9 l/s	Adjustable Body with Side Outlet
KFT110						110mm Trap with 50mm water seal

Specify: Kent KTG342/110 Floor Gully. 342mm x 342mm, adjustable height floor drain. Grade 304 stainless steel with a satin polish finish, supplied with KFT110 Trap

BS EN1253 Loading Class K3 Our internal gullies can be subjected to very heavy loads but must have the correct heavy duty grating to achieve these loads. Suitable for Barefoot Areas only.
(BS EN1253 Gullies & Buildings)