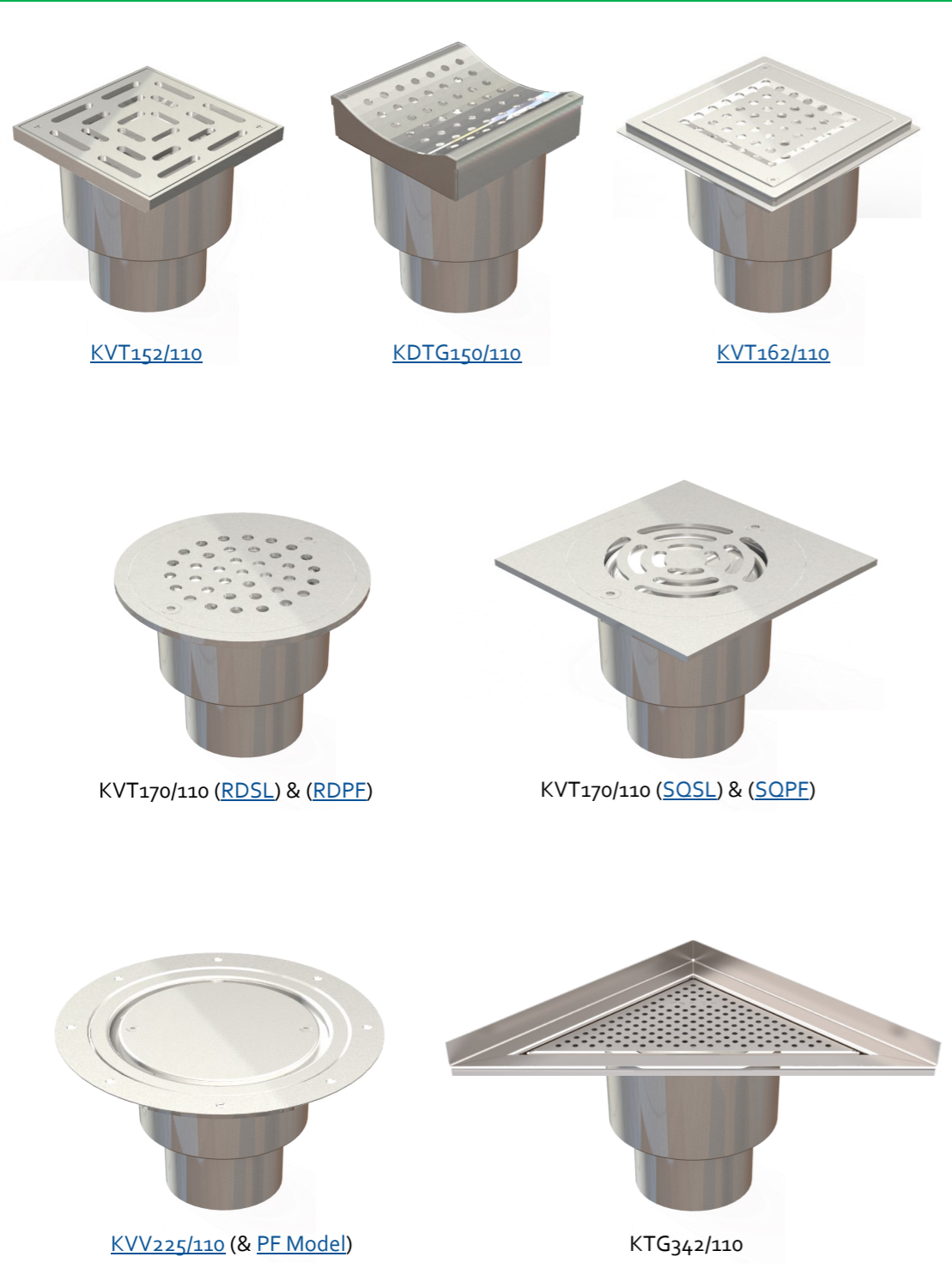


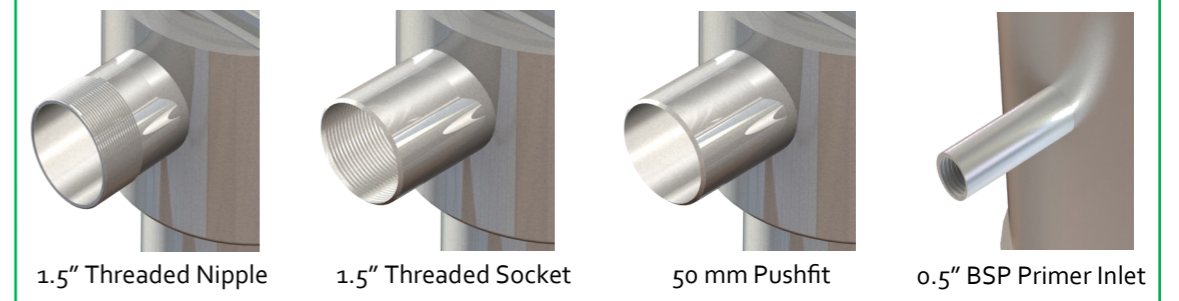
Our range of gullies that offer the KVBO Vertical Outlet body—See hyperlink for individual drain details



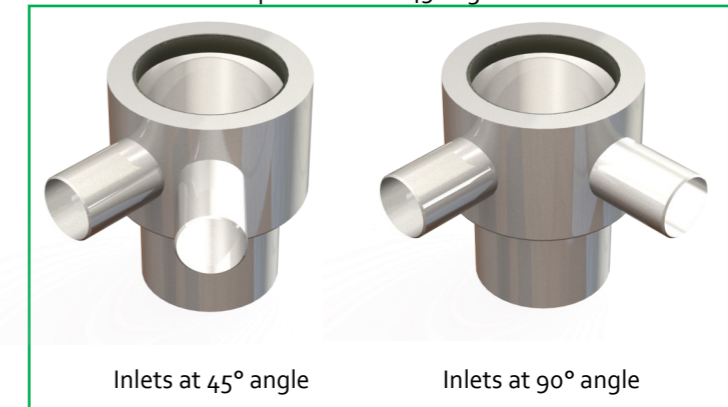
This is not usually sold as a standalone product and is used to demonstrate the range of options available to products with a KVBO Body option. These products account for 10 of our 48 available gullies. The outlet of these gullies remains 110 when attached to the KVBO. The advantages of the KVBO body is that it offers 65mm of vertical adjustment as well as 360 degrees of rotational freedom all while providing a wide range of flange and inlet options.



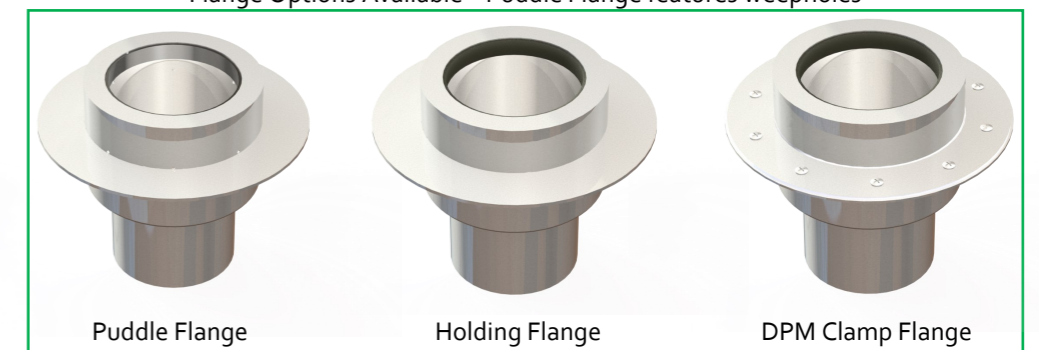
Inlet options available—Threaded inside or outside options available. Size adjustable



Inlets can be positioned at 45 degree increments



Flange Options Available—Puddle Flange features weepholes



We also offer upstand inlet for more niche projects

