

Stainless Steel Sanitary Above Ground Metal Deck Hub Drain Grade 316

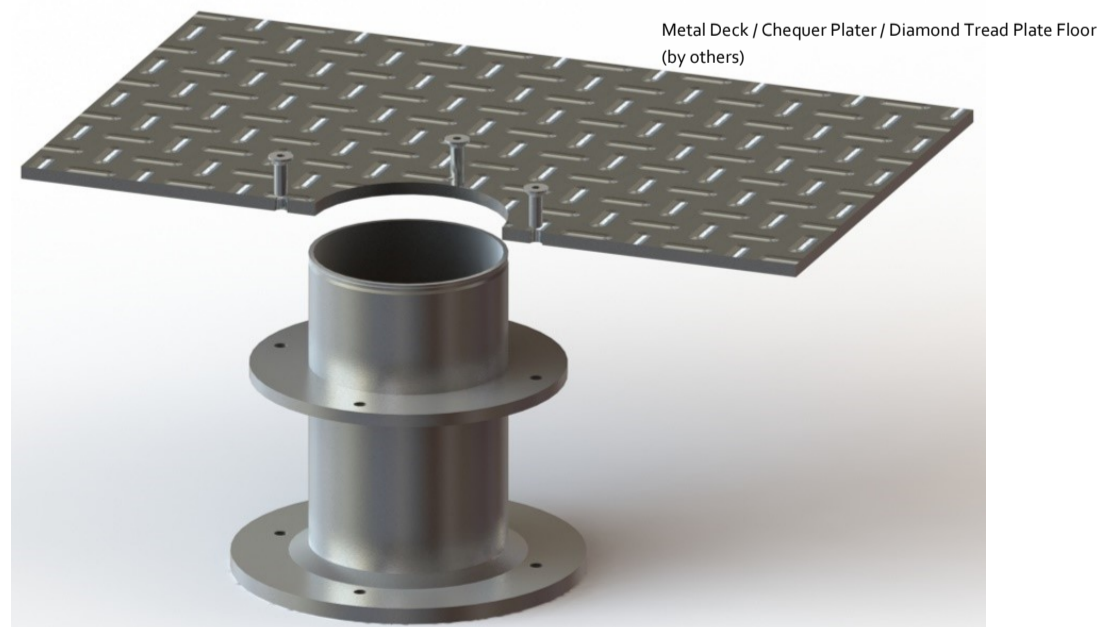
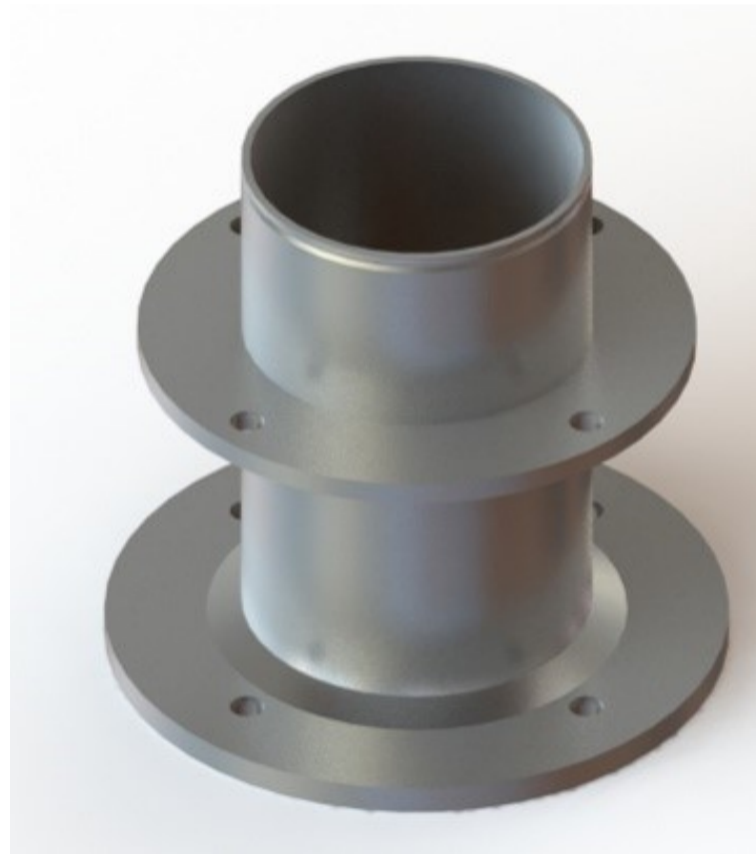
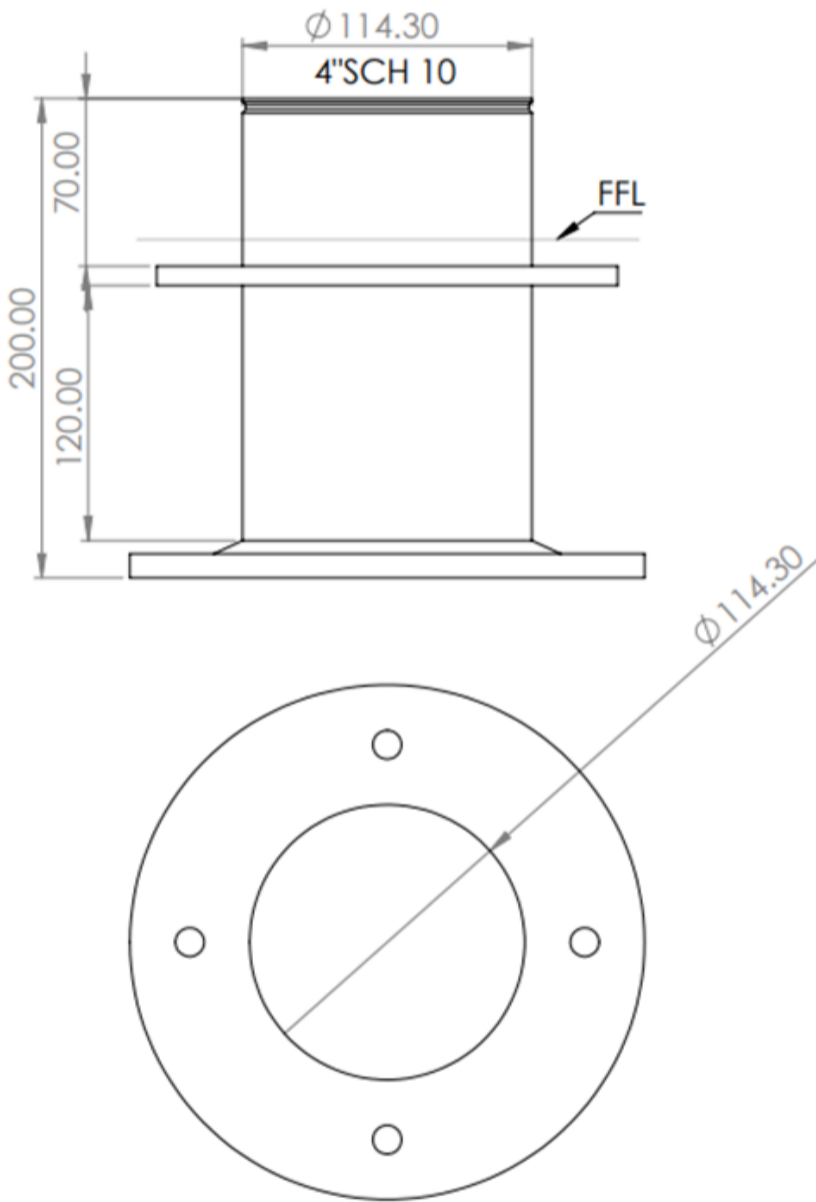
The KSHD4"SCH10 is a Cylindrical type Hub Drain that is typically installed 70mm (customisable) above Finished Ground Level. This hub drain has a metal deck / chequer plate floor clamping flange all round. The pipe is swaged to receive a Kamlock type coupler (by others) and a flanged bottom outlet is standard but can be swapped out for a push fit pipe.

Specify: Kent KSHD4" Cylindrical Above Ground Metal Deck Hub Drain; Grade 316 stainless steel; to be installed 70mm above FFL

(amend underlined words to suit project)

Features:

- Grade 304 (1.4301) or 316 (1.4401) Stainless Steel
- SCH10 pipe as standard
- 2" - 12" variations available



Product Code	Height	Width	Outlet	Flow Rate*
KSHD4"	200	4"	4"	16.4 l/s