

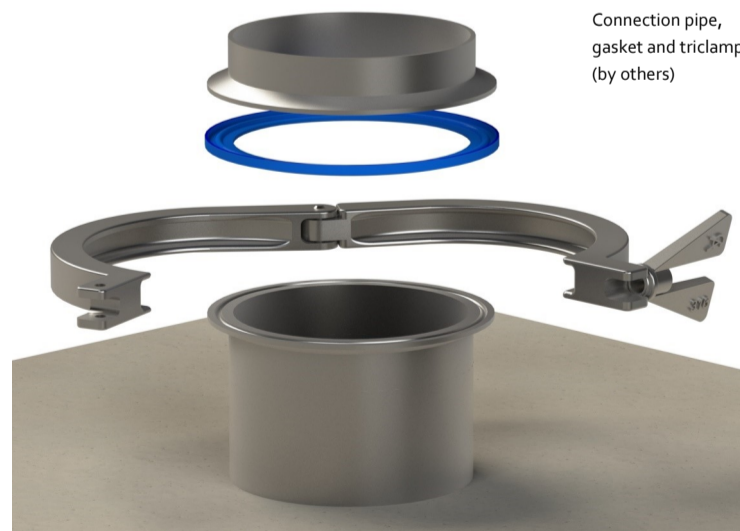
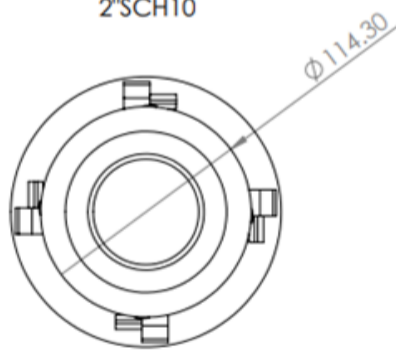
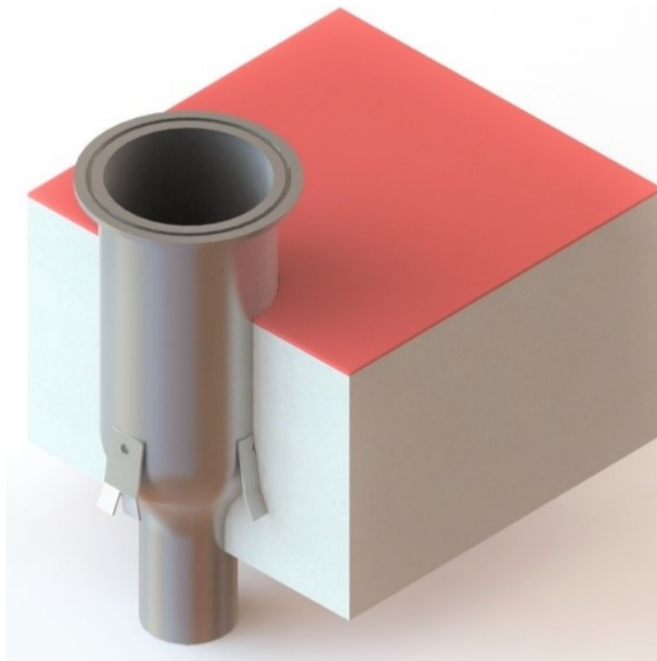
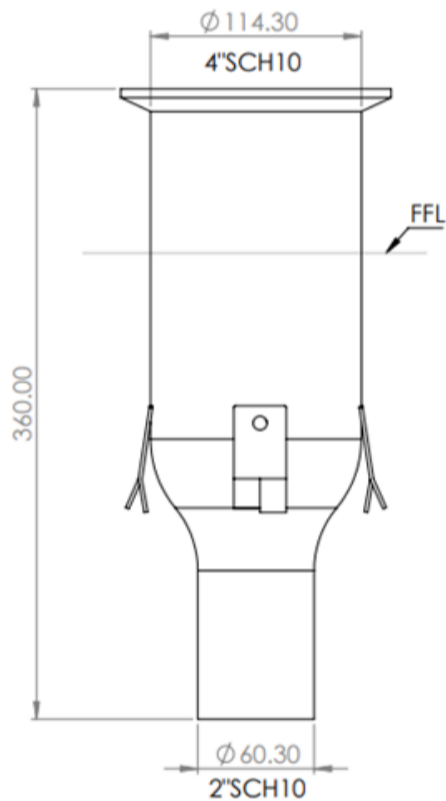
Stainless Steel Concentric Above Ground Ferrule Sanitary Waste Drain Grade 316

The KFSWD4"/2"SCH10 is a Concentric Reducer type Ferrule Sanitary Waste Drain that is typically installed gomm (customisable) above Finished Ground Level. The pipe has a 4"SCH10 Sanitary Pipe Ferrule connection top which allows it to be clamped to a ferrule from the site.

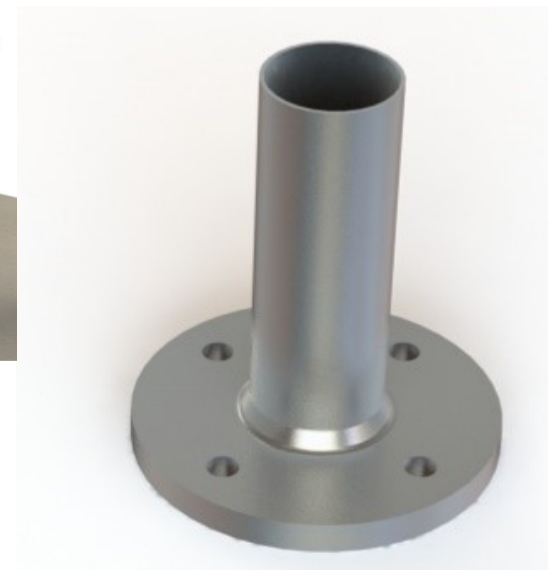
Specify: Kent KFSWD4"/2" Concentric Above Ground Ferrule Sanitary Waste Drain; Grade 316 stainless steel; to be installed gomm above FFL
(amend underlined words to suit project)

Features:

- Grade 304 (1.4301) or 316 (1.4401) Stainless Steel
- SCH10 pipe as standard
- Metric pipes available
- 2" - 12" variations available



Connection pipe, gasket and triclamp (by others)



Flanged Bottom Outlet regularly requested

Product Code	Height	Width	Depth	Outlet	Flow Rate*
KFSWD4"/2"	360	4"	162	2"SCH10	2.8l/s
KFSWD6"/4"	360	6"	162	4"SCH10	16.4l/s