

Stainless Steel Concentric Above Ground Hub Drain Grade 316

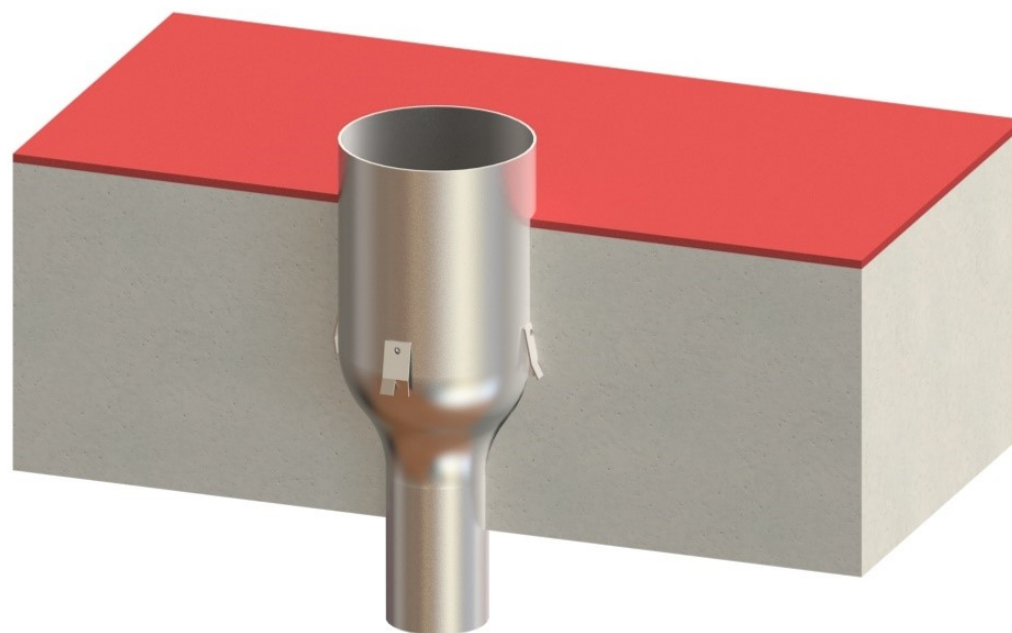
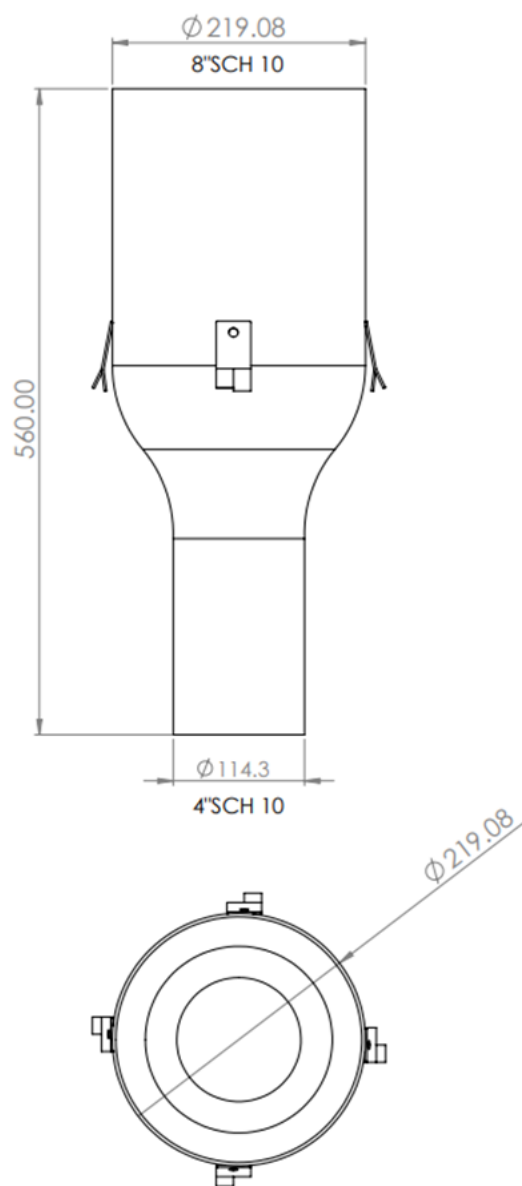
The KCHD8"/4" SCH10 is a Concentric Reducer type Hub Drain that is typically installed gomm (customisable) above Finished Ground Level. This is a large hub drain for areas where multiple lines might discharge into the drain. They are installed where pipes or hoses discharging into them need an atmospheric or air break.

Features:

- Grade 304 (1.4301) or 316 (1.4401) Stainless Steel
- SCH10 pipe as standard
- Metric pipes available
- 2" - 12" variations available

Specify: Kent KCHD8"/4" Concentric Above Ground Hub Drain; Grade 316 stainless steel; to be installed gomm above FFL

(amend underlined words to suit project)



Product Code	Height	Width	Depth	Outlet	Flow Rate*
KCHD8"/4"	360	8"	560	4" SCH10	16.4l/s
KCHD8"/6"	360	8"	560	6" SCH10	50.5l/s

