

# Stainless Steel Cylindrical Above Ground Hub Drain Trapped Grade 316

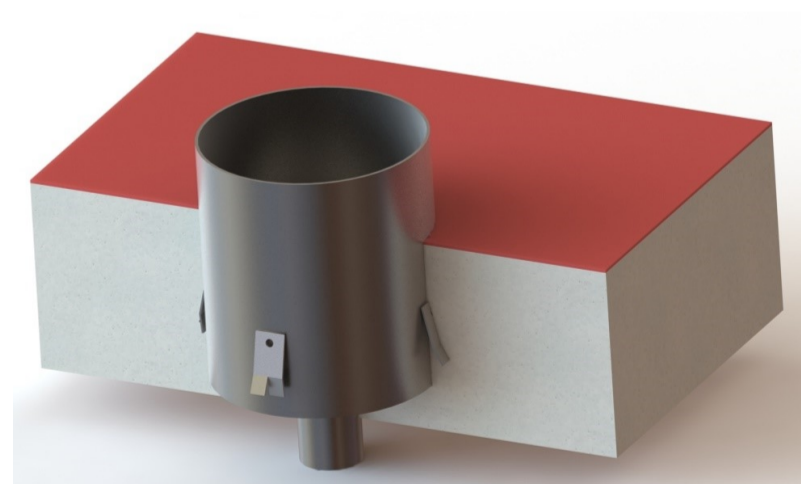
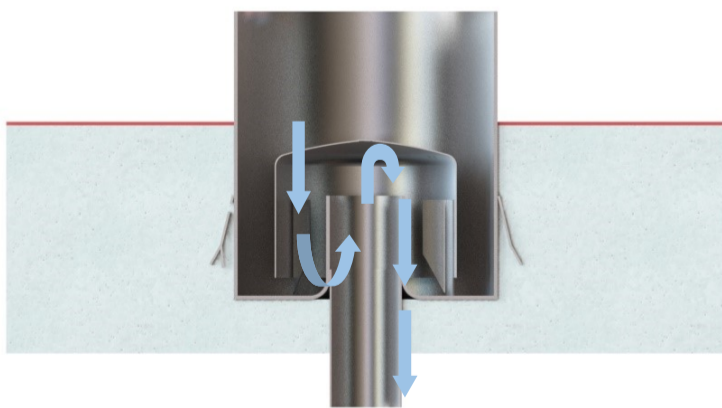
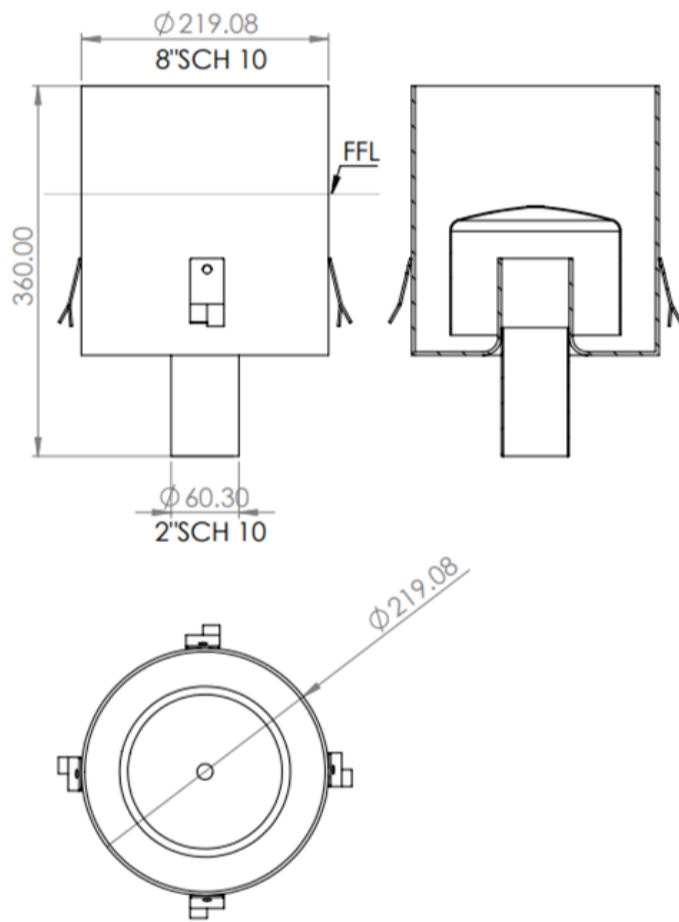
The KHD8"/2"SCH10(T) is a Cylindrical type Hub Drain with an integral removable bell trap that is typically installed gomm (customisable) above Finished Ground Level. They are installed where pipes or hoses discharging into them need an atmospheric or air break.

Specify: Kent KHD8"/2"(T) Cylindrical Above Ground Hub Drain; Grade 316 stainless steel; to be installed gomm above FFL

(amend underlined words to suit project)

## Features:

- Grade 304 (1.4301) or 316 (1.4401) Stainless Steel
- SCH10 pipe as standard
- Metric pipes available
- 2" - 6" outlets available



Product Code	Height	Width	Outlet	Flow Rate*
KHD8"/2"(T)	360	8"	2"SCH10	??? l/s