



Kent KEC65—Economy Channel

The Kent Economy Channel KEC65 is suitable for light duty areas where there is a low flow rate of water eg Residential Projects with Balconies, Door Thresholds, Building Facades.

The channel is narrow and shallow and is ideal where a discreet channel is required. The economy channel is fully manufactured from stainless steel and is available in Grade 304 & 316L. The channel is supplied with fully welded end plates, joining brackets and a slotted grating as standard.

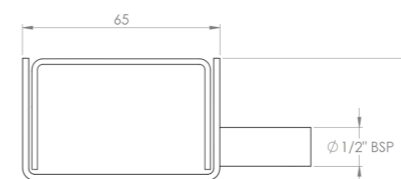
The Kent Economy channel is manufactured with 1/2" BSP outlets and standard size of 65mm x 40mm height. This channel is particularly suitable for balconies or door thresholds.

Features:

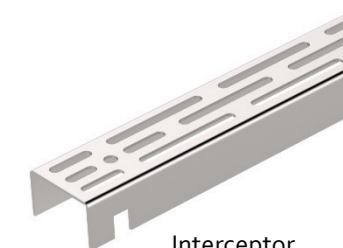
- Constant depth of 40mm
- Short lead time
- Easy installation
- Low cost

Applications/Industries:

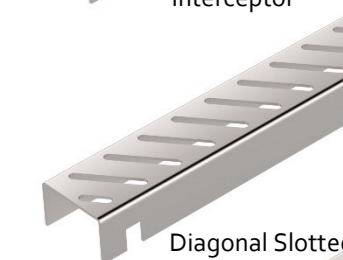
- Balconies
- Thresholds
- Facades



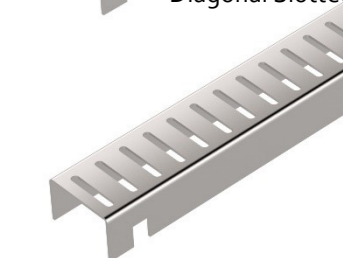
GRATING OPTIONS



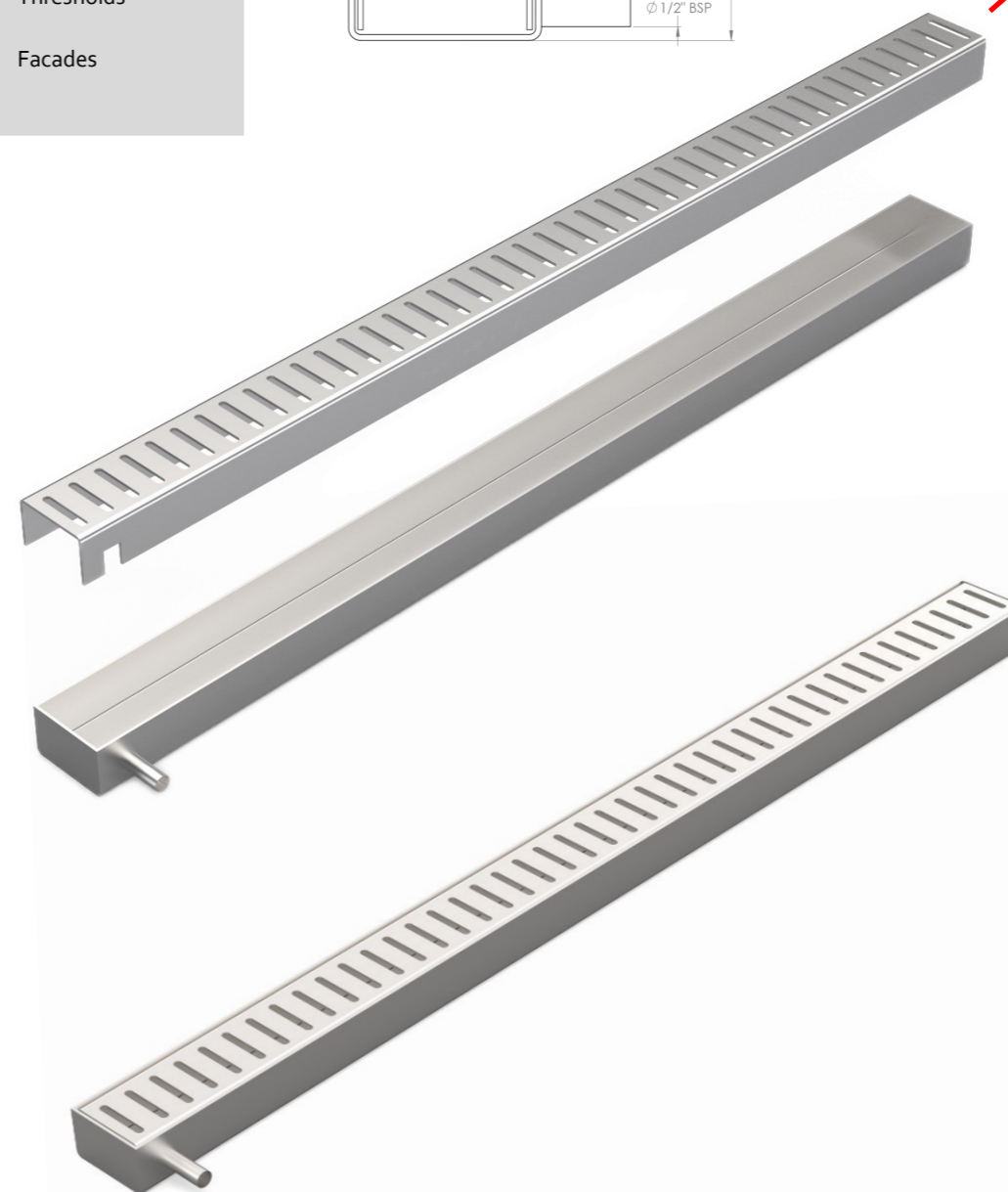
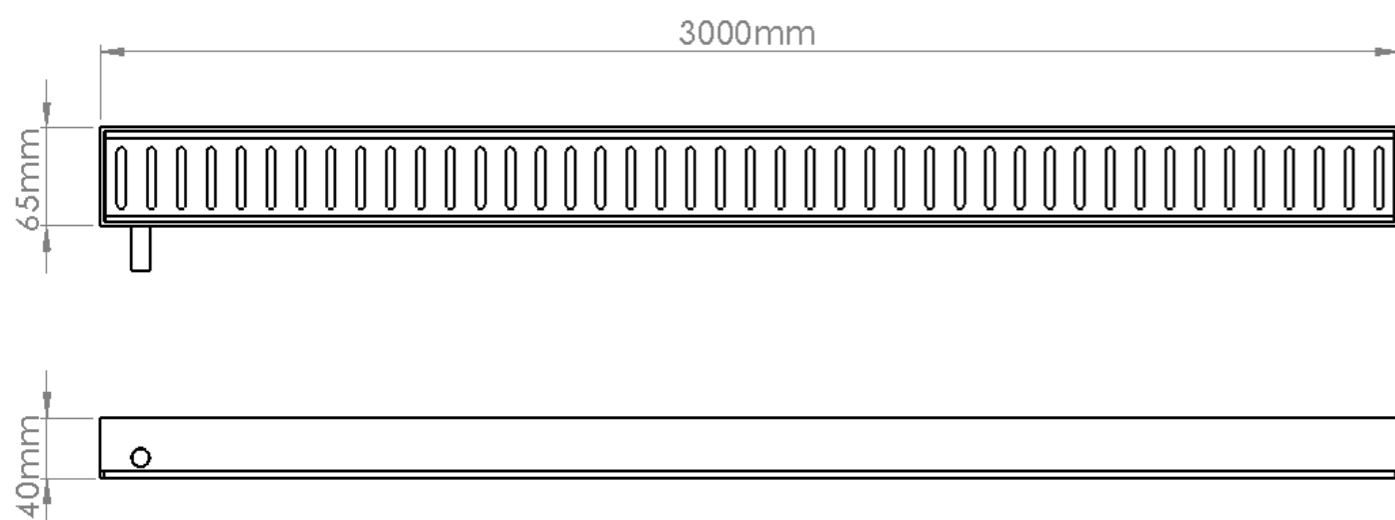
Interceptor



Diagonal Slotted



Slotted



Product Code	Height	Width	Outlet
KEC65	40mm	65mm	1/2" BSP

Specify: Kent Economy Channel KEC65; 3000mm long with a 65mm wide grating; 1/2" BSP Side Outlet; Grade 304 Stainless Steel; Grating will be Kent Slotted Grating Type; Load Class A



Throat and Collar connection as standard.



BS EN1433 Loading Class A15

Very light duty, pedestrian areas like balconies, door thresholds