

The Kent KVDC215-4"/6" Double Contained Gully and family of gullies are designed for use primarily in Pharmaceutical factories or in Laboratories where leaks in the drainage could allow the escape of toxic or bio waste.. They can be used in both light duty and very heavy duty trafficked areas (depending on the grating chosen).

The KVDC215-4"/6" standard gully takes 10mm thick gratings as well as 3mm thick covers that are made to sit in a 10mm recess (Perforated Gratings, Sealed Gratings). The KVDC215/4"/6"DS version of this gully (DS = Deep Swage) takes all 25mm deep gratings offered by Kent (Mesh, Heelproof Mesh, Factory Ladder Gratings).

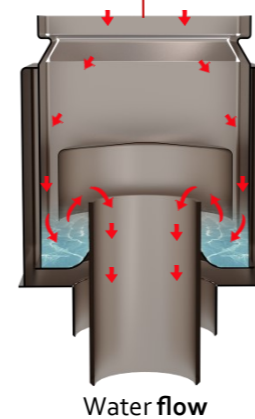
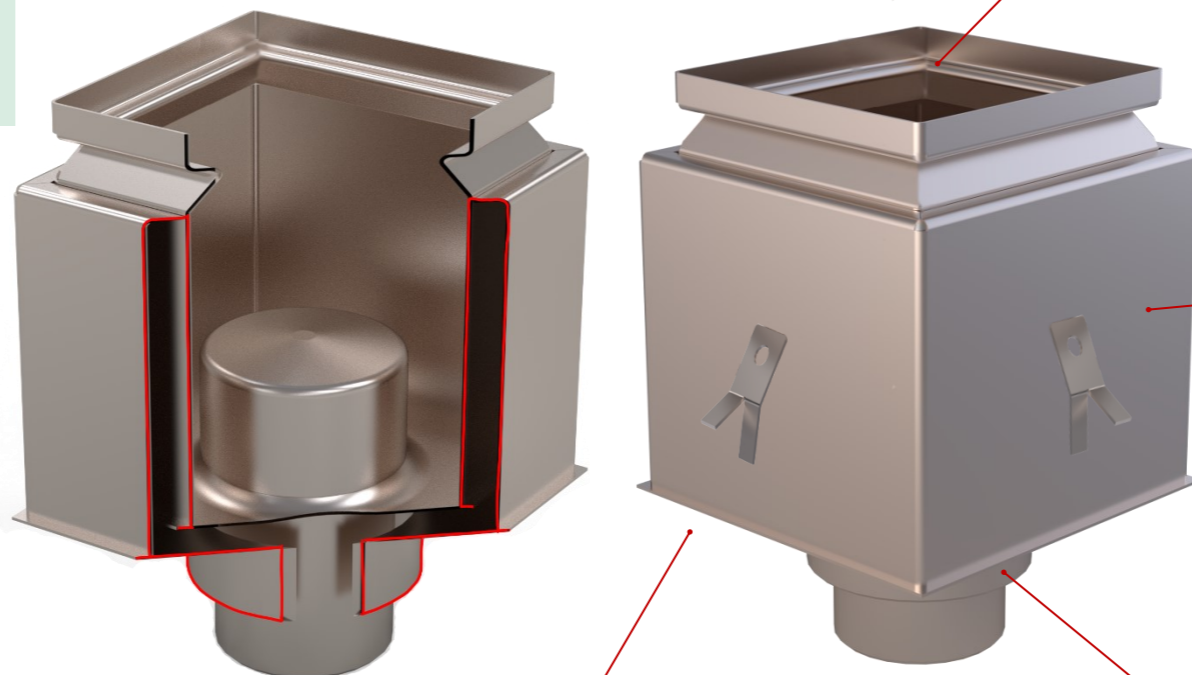
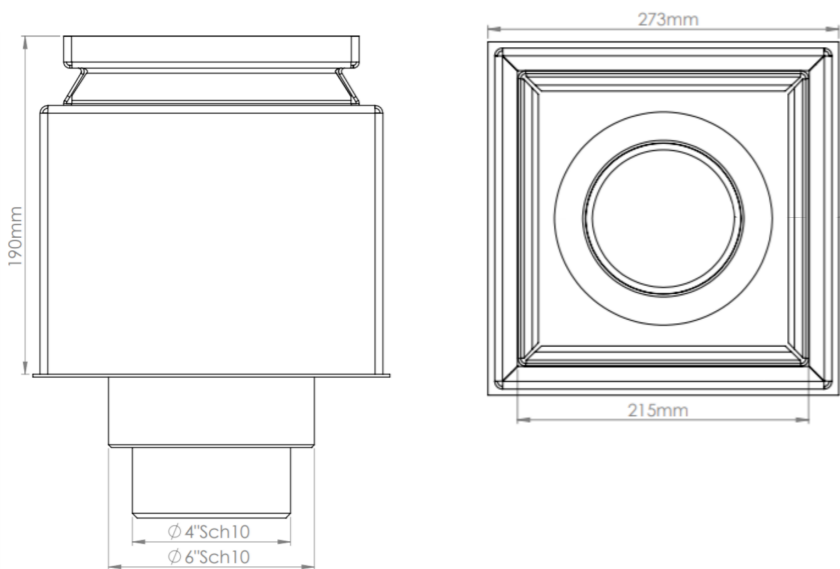
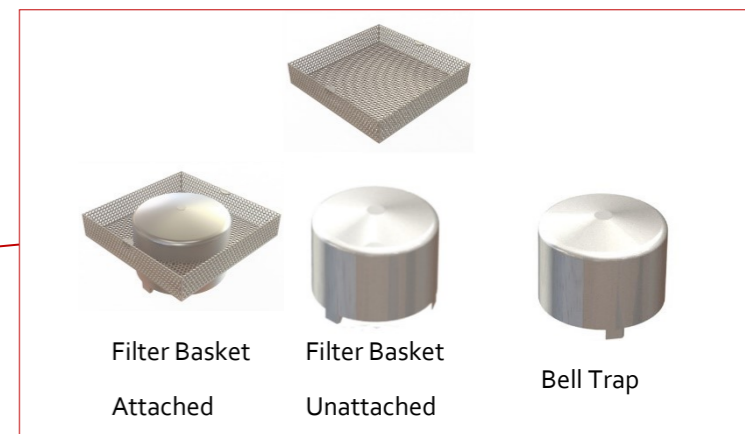
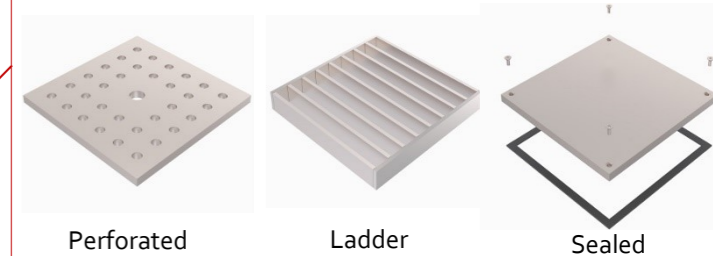
4"/6" Double Contained Pipe Outlets are most common—but the 4" could be surrounded by an 8" or 10" etc or any combination to match the connecting pipework. This can easily be substituted for a Metric 110mm or 160mm outlet pipe for connection to Polypropylene Pipework.

**Features:**

- Grade 304 (1.4301) or 316 (1.4401) Stainless Steel to BS EN 10088
- Strong
- Usable in both heavy and light duty areas
- Suitable for internal factory drainage and laboratory drainage projects.



**GRATING OPTIONS**



Product Code	Height	Width	Depth	Outlet	Swage	Flow Rate*
KVDC215-4"/6"	190	215	215	4"/6"	10	3.94l/s
KVDC215-4"/6"DS	205	215	215	4"/6"	25	4.34l/s
KVDC315-4"/6"	235	315	315	4"/6"	10	3.94l/s
KVDC315-4"/6"DS	250	315	315	4"/6"	25	4.34l/s
KVDC315-6"/8"	235	315	315	6"/8"	10	10.20l/s
KVDC315-6"/8"DS	250	315	315	6"/8"	25	11.70l/s

\*flow rate is also dependent on grating chosen.

Specify: Kent KVDC215-4"/6" trapped double contained gully; 215mm x 215mm; grade 316 stainless steel; complete with \_\_\_\_\_ grating.

Choose the product code from the dimensions table above.

Add specification options from the next page.

**BS EN1253 Loading Class L15 / R50 / M125 / N250 / P400**

Our internal gullies can be subjected to very heavy loads but must have the correct heavy duty grating to achieve these loads. Suitable for Factories and Leisure Centres.