



Kent
STAINLESS

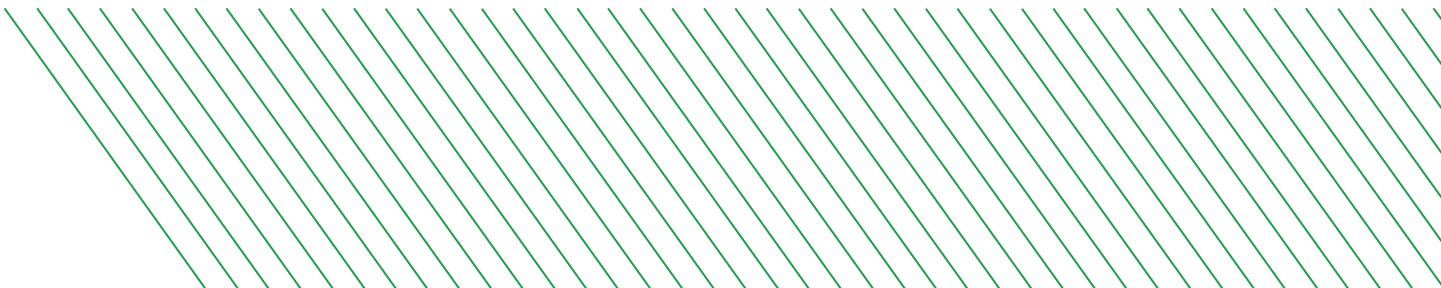
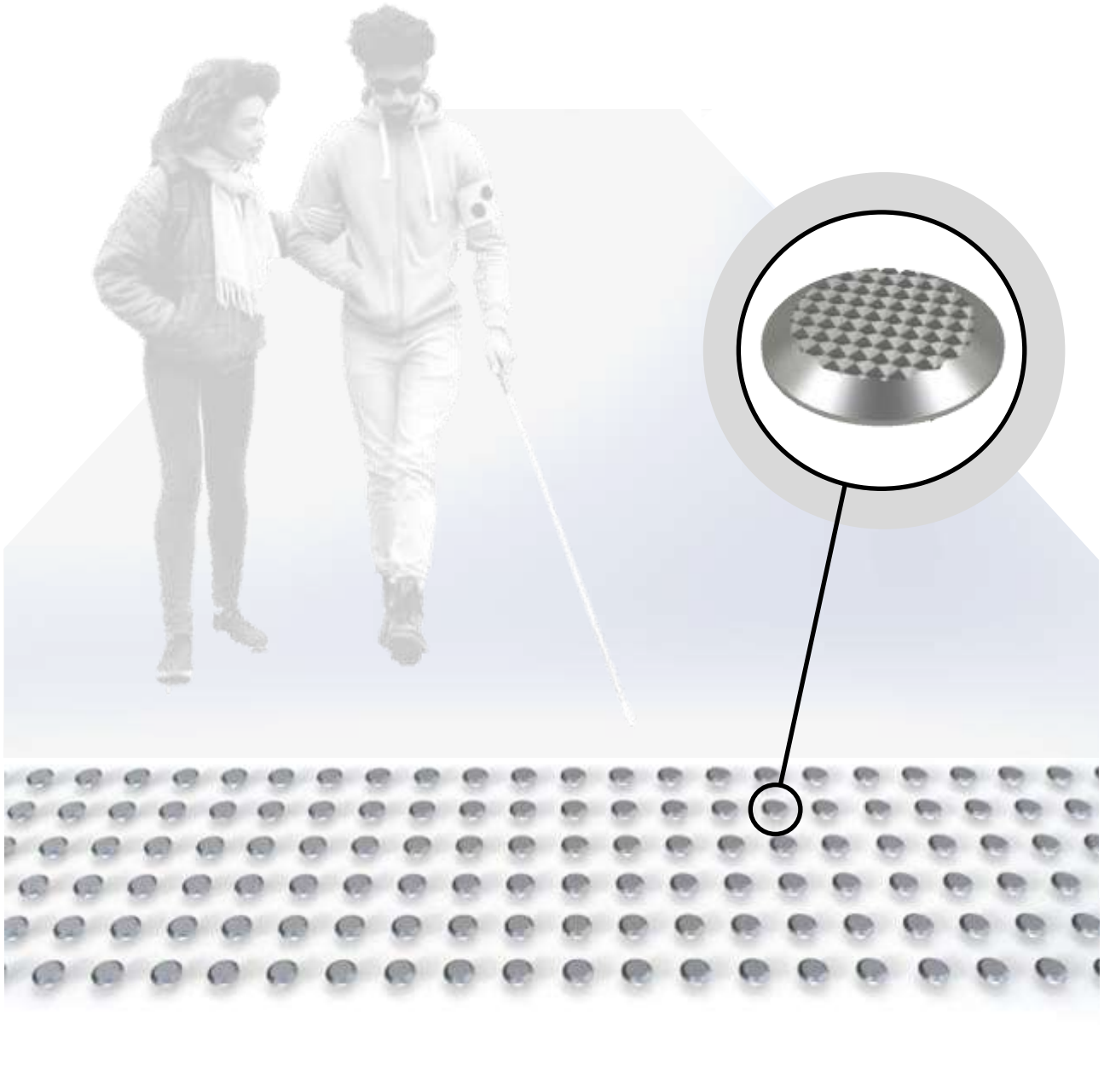
03/2024



Kent Diamond Tactile Warning Stud **KTWS**



35 /5/FDG



Kent Diamond Tactile Warning Stud

Street Furniture



Specify:

Kent Diamond Tactile Warning Stud (KDTWS 35); Grade 316 Stainless Steel; Dia: 35mm (1.37"), Height: 5mm (0.19") ; 1nr 6mm (0.23") dia x 15mm (0.59") high studs, Polished Finish;

Description:

Kent Diamond Tactile Warning Stud provides an underfoot warning to identify hazards and dangerous areas where there is a change in levels or where there is an unprotected opening such as open stairwells and platforms. The stainless steel material is ideal for high-traffic pedestrian areas. The slip resistant design ensures the studs do not themselves become a hazard in wet or cold conditions.

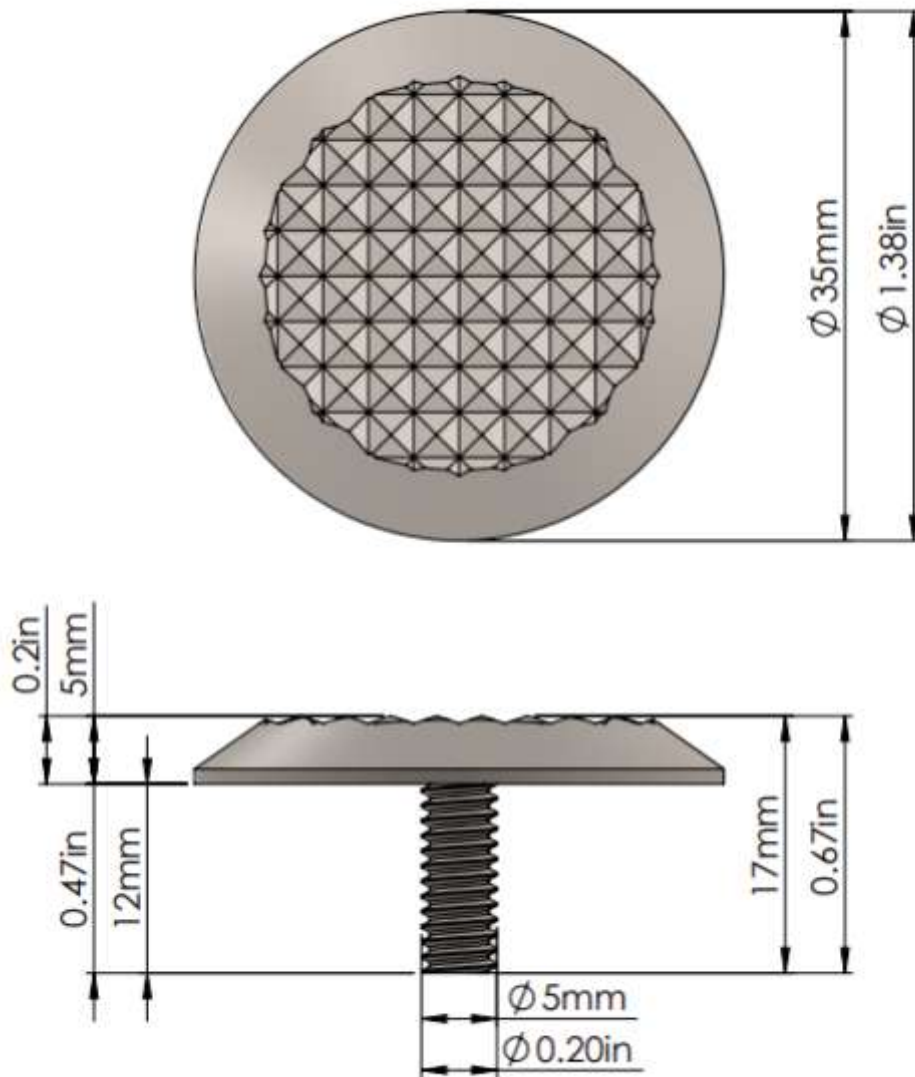
Features:

- Grade 316 Stainless steel
- 35mm (1.73") dia x 5mm (0.20") Thick Steel
- Polished Finish
- 1 Installation pin
- Slip Resistance



Kent Diamond Tactile Warning Stud

Street Furniture



Product Code	Diameter	Height
Kent Diamond Tactile Warning Stud KDTWS 35	35mm (1.38")	5mm (0.20")



Kent Diamond Tactile Warning Stud

Street Furniture



TYPICAL STUD INSTALLATION:

Note Before installation process: To ensure that the mortar adheres fully to the stud and pavement installation should be done in a dry environment.

Step 1: Drill a 10mm (0.39") Diameter hole 15mm (0.59") deep.



Step 2: Clean out the drilled hole. Vacuum or



Step 3: Fill with chemical mortar.



Step 4: Insert the Stud and leave to set for 24 hours.

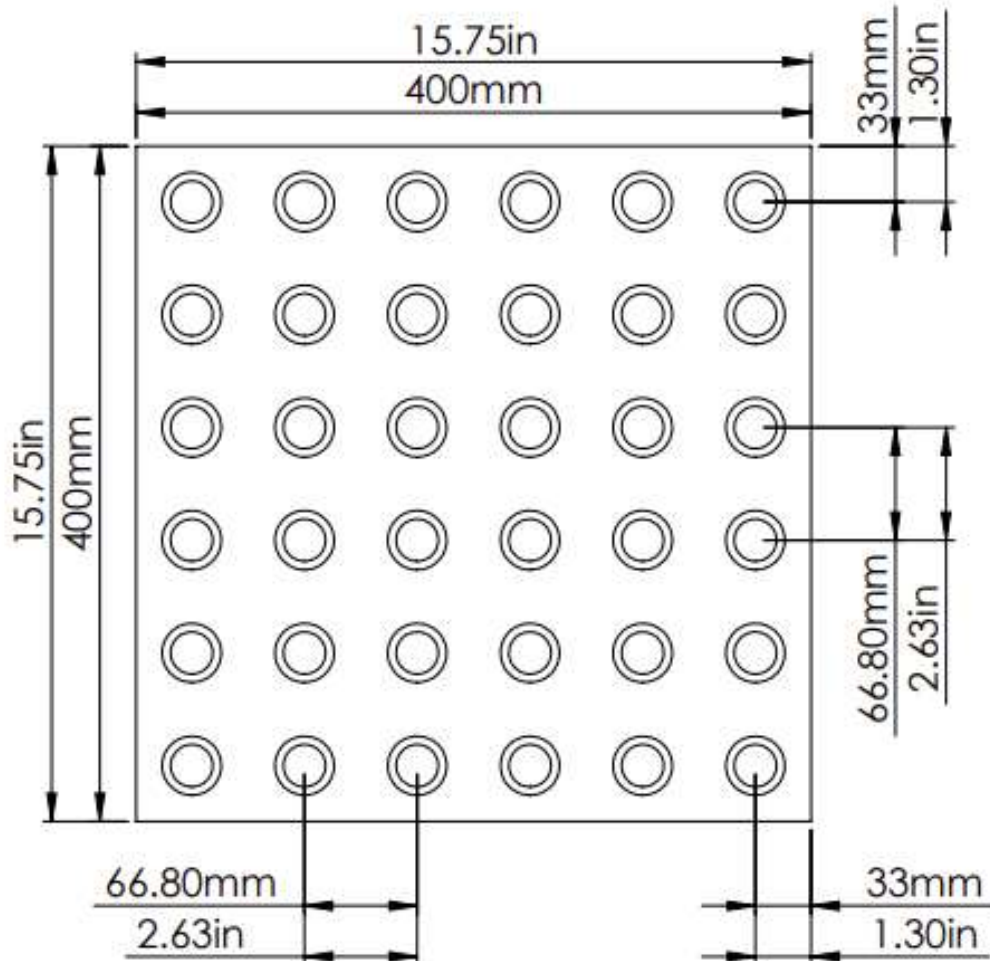


Kent Diamond Tactile Warning Stud

Street Furniture



TYPICAL STUD INSTALLATION:

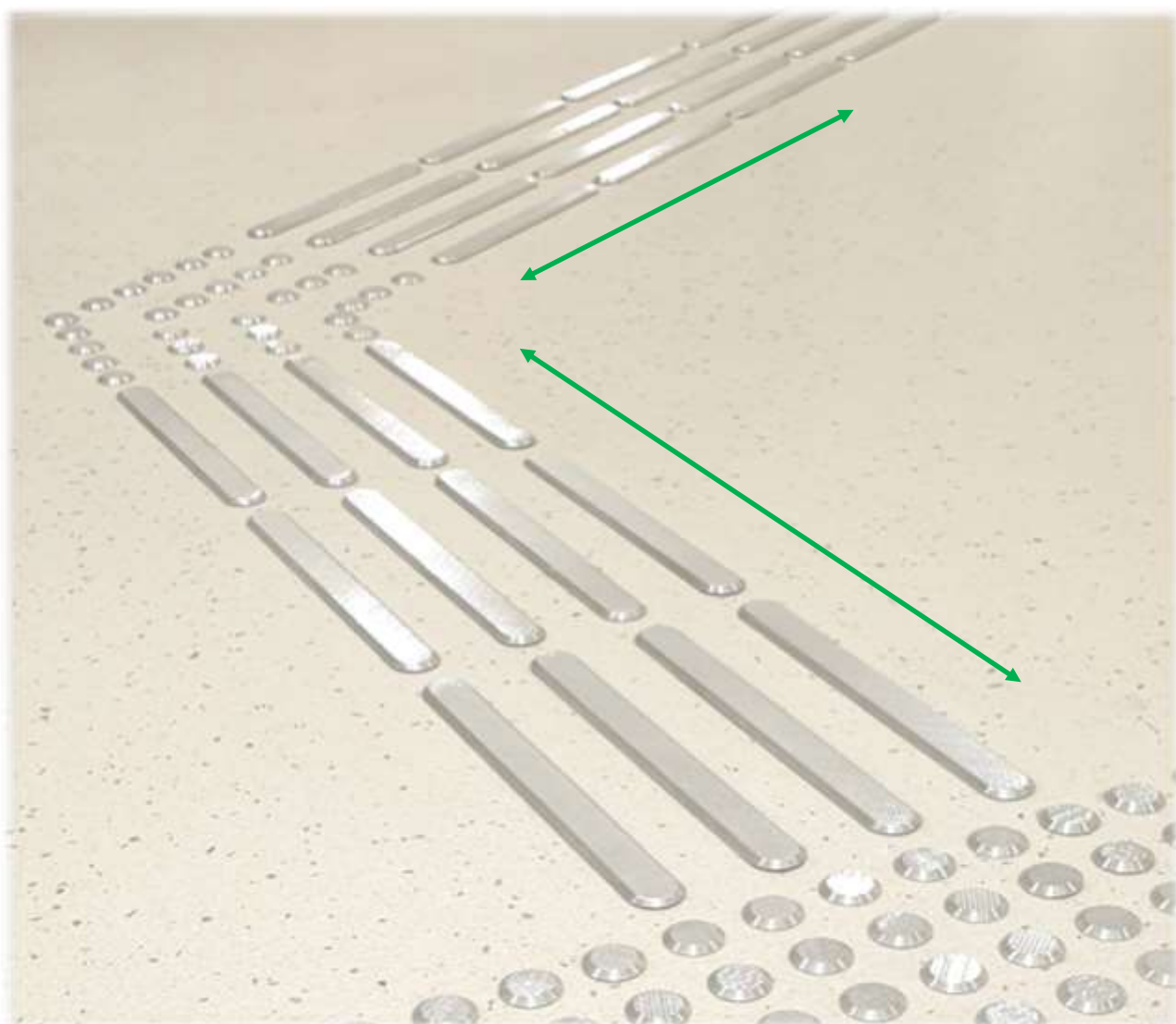


Note: It will take 225 studs to fill an area of 1 meter squared.
It will take 16 studs to fill an area of one foot squared.



TYPICAL STUD INSTALLATION:

When using the tactile stud products it may be worth considering the use of the tactile strip products. These can be used in tandem with the studs to help visually impaired people negotiate minor junctions and hazards. The strip can be used to lead the user in a linear direction while the stud can then be placed at the end of the delegated pathway to inform the user that there is either a junction or hazard approaching and that the user will have to negotiate a change in direction.



Stainless Steel Maintenance.

Although corrosion resistant, Stainless Steel needs to be well looked after to have a long service life. Salt, Iron and Grit are the biggest contributors of discoloration on stainless steel products.

Clean the stainless-steel components using warm water with a mild detergent with a non-abrasive cloth or sponge. Heavier stains may require the use of a nylon scouring pad or a stainless-steel cleaner.

To remove paint or graffiti (or light concrete splashes) use a cloth and alkaline or solvent paint strippers according to type of paint. For Satin Finish Stainless try to follow the direction of the grain when cleaning vigorously or polishing. Rust spots or 'tea stains' can occur on the surface of the material, these are normally caused by contamination from ordinary mild steel, particularly in areas where construction work has been undertaken.

Where contamination of the stainless has occurred from ordinary mild steel coming into contact with the stainless, use Rust Remover 410. In cases where the surface is severely stained as a result of severe environmental conditions or scratched due to misuse, it may still be possible to restore the original finish using chemicals such as Oxalic Acid solution.



Alternative stud options:



Kent Brass Tactile warning stud



Kent Criss Cross Demarcation stud



Kent Demarcation stud



Kent Diamond Tactile warning stud



Kent Tactile warning stud



Kent Multi Groove Tactile warning stud



Kent 4 inch Engraved Demarcation stud



Kent 4 inch Domed Road stud



Kent 4 inch Pyramid Road Demarcation stud

All studs can be modified to customer specifications on request. AI





Kent

A partner you can rely on



Contact us:



Phone:	+353 53 914 3216	Email:	info@kentstainless.com
UK Freephone:	0800 376 8377	Address:	Ardcavan, Wexford
USA:	718 374 7391		Ireland, Y35 CRW2

