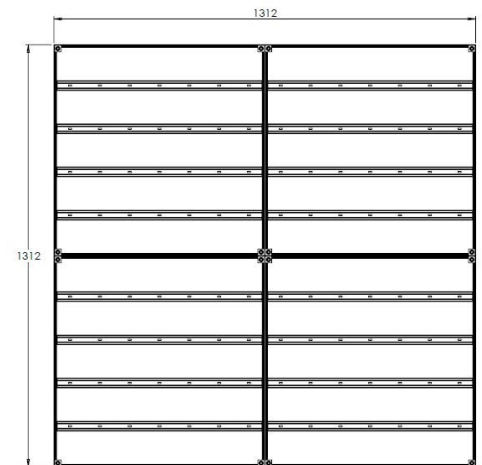
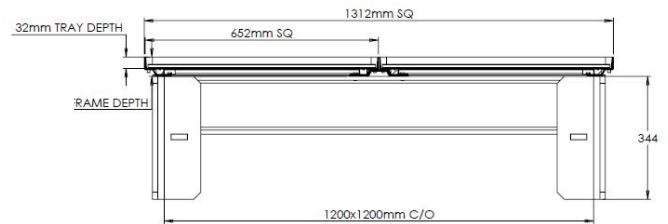
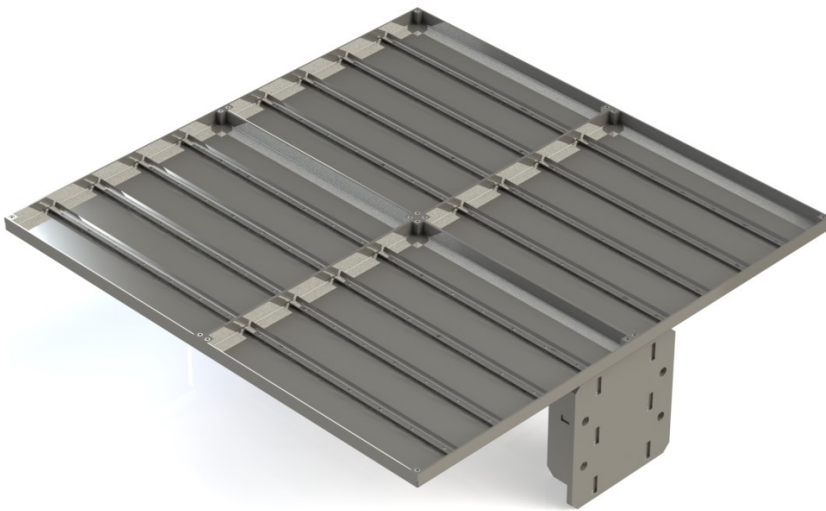


Kent Commercial Range Manhole—KCRM 1200/1200

Our KCRM 1200/1200 is a low cost Stainless Steel Recessed Multi-Tray Manhole suitable for a variety of finishes. It is suitable for internal usage in commercial areas. It can take any floor finish such as concrete, tile, marble, resin etc. The trays are supported by a support beam which is installed below the trays. These access covers have high specification such as double seal and lockdown points, as standard. It comes in grade 304 stainless steel as standard, with a load class of FACTA A / BC EN1253 Class K3.

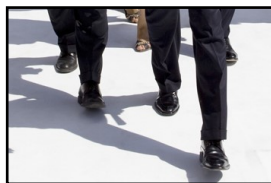
- Commercial / Residential
- Lockdown
- Double Seal
- 4 hex head lockdown points
- Shallow profile
- Discrete polished top edge
- Screed grip mesh as standard
- Stock item / Short lead time
- Pedestrian / Barefoot

06/2023



Barefoot

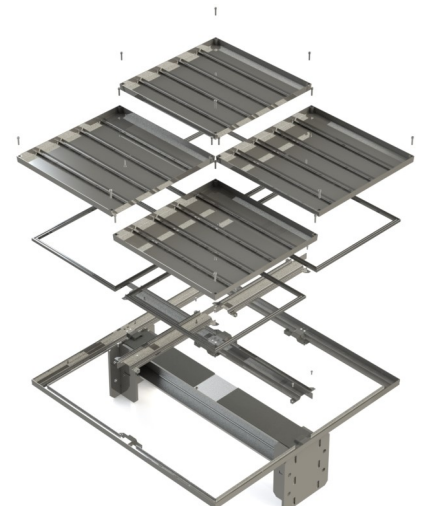
BS EN1253 Class K3



Pedestrian

FACTA Loading Class A

Product Code	Clear Opening	Visible Frame Size	Depth
KCRM1200/1200/32	1200mm x 1200mm	1312mm x 1312mm	32mm
KCRM 1200/600/32	1200mm x 600mm	1312mm x 712mm	32mm



Specify: Kent Commercial Range Manhole KCRM 1200/1200/32; 1200mm x 1200mm clear opening; 32mm Tray depth; Double Seal; Grade 304 Stainless Steel; Loading FACTA A / BS EN1253 Class K3

(amed underlined words to suit project)