



Kent
STAINLESS

07/2023

Triton Square Picnic Set



STREET FURNITURE

Triton Square Picnic Set



DESCRIPTION

Description

The Kent Triton Square Picnic Set (curved) was developed in 2022 as part of a bespoke street furniture project installed in Triton Square, London. The picnic set is manufactured using Pre-Weathered Corten Steel. The timber used is Laminated Oak treated with oil for external use. The overall length of the set including the table and seats comes to just over 2.3 metres. The table can be produced with a slight curvature or entirely straight depending on the required job specification. On request a variation can be manufactured in 'Kent Imitation Corten'.

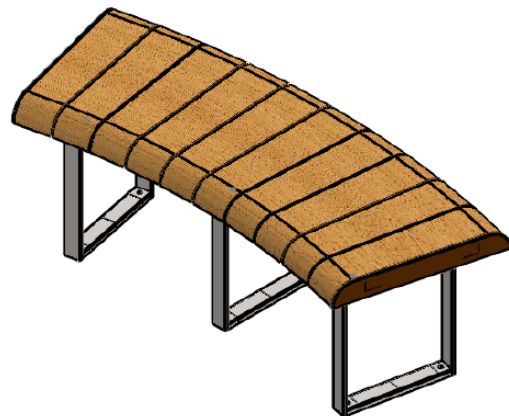
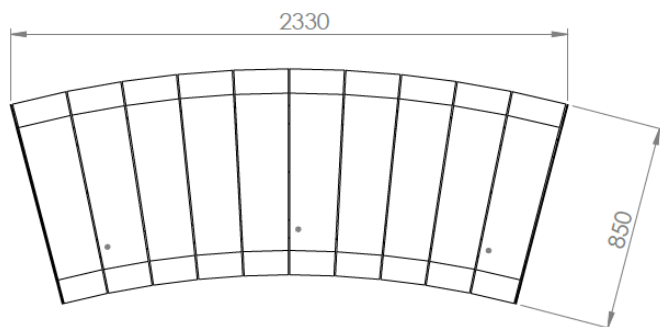
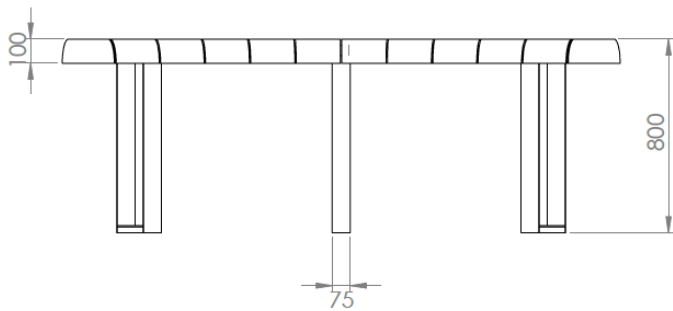
FEATURES

- Corten Steel Finish
- Laminated Oak Planks

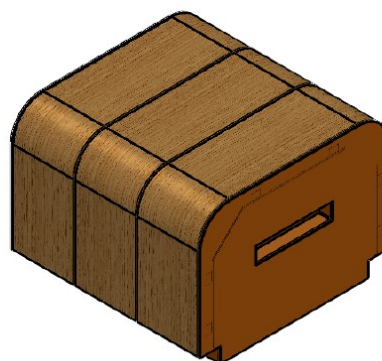
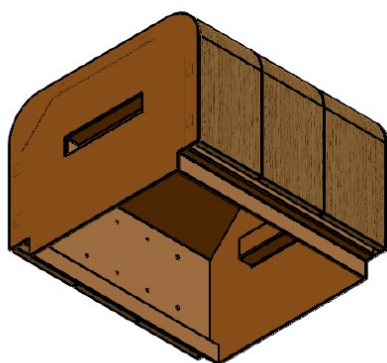
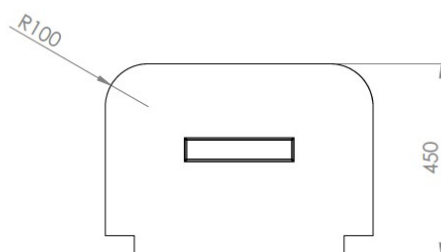
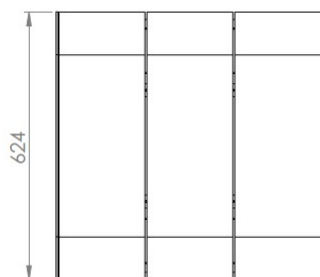
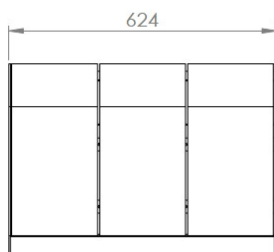


STREET FURNITURE

Triton Square Picnic Set



Reference	Length	Width	Depth
KTSPST2330	2330mm	850mm	800mm



Reference	Length	Width	Depth
KTSPSB624	624mm	624mm	450mm

STREET FURNITURE

Triton Square Picnic Set



Contact us

Phone: +353 53 914 3216

UK Freephone: 0800 376 8377

USA: 718.374.7391

Email: info@kentstainless.com

Address: Ardavan, Wexford, Ireland, Y35 CRW2

