



Kent
STAINLESS

01/2024

HEELMESH TREE GRILLE

KCDWHMTG/1500



CIRCULAR HEELMESH TREE GRILLE KCDWHMTG/1500

The Kent Circular Heelmesh Tree Grille is manufactured from Grade 316 Stainless Steel and is finished with a Shot Peened Polish. The inner radius and size of the tree pit can be customised to suit the surrounding landscape.

For this Circular Tree Grille we have taken our Double Wedge Heelmesh Grating and formed it into a circular shape, supplied in quadrants and with 1 or 2 removable central rings to allow for tree growth.

This material means it matches well with nearby ventilation grilles or drain gratings made from the same material—providing a suite of products for your public realm project.

We only offer this grille in a Shot Peened Finish for slip resistance.

Features:

- 316 Stainless Steel
- Optional Lockdown Feature
- FACTA B Loading
- Shot Peened
- Heel safe (ADA and EN1433)
- Customisable Dimensions



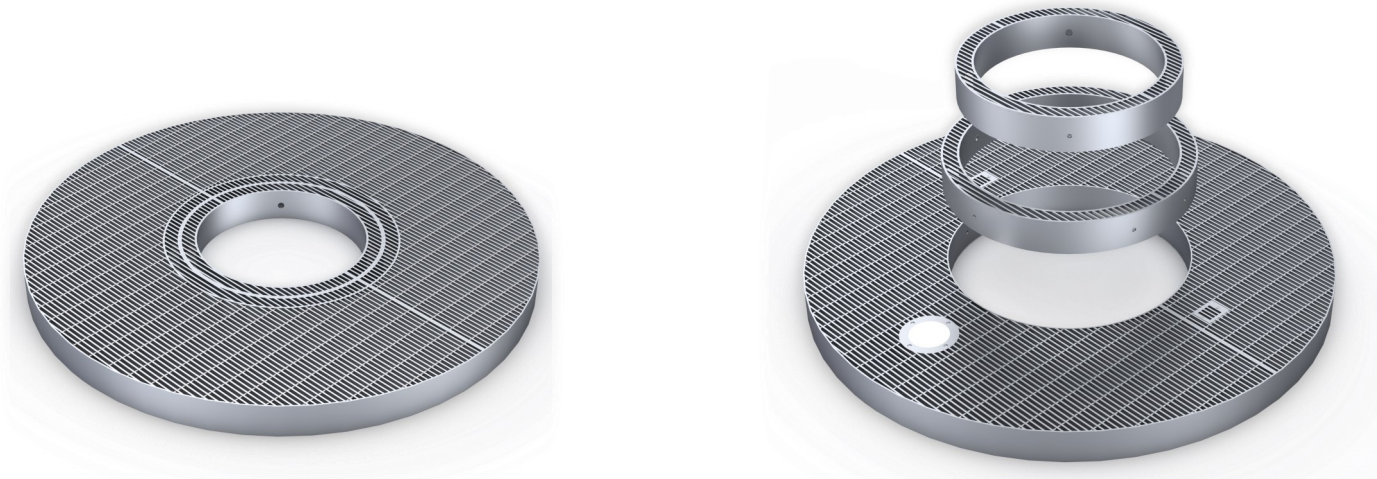
International Quarter, London (IQL Stratford)

CIRCULAR HELMESH TREE GRILLE KCDWHMTG/1500

Product Dimensions

Product Code	Diameter	Depth
Kent Circular Double Wedge Heelmesh Tree Grille KCDWHMTG/1500	1500mm	100mm

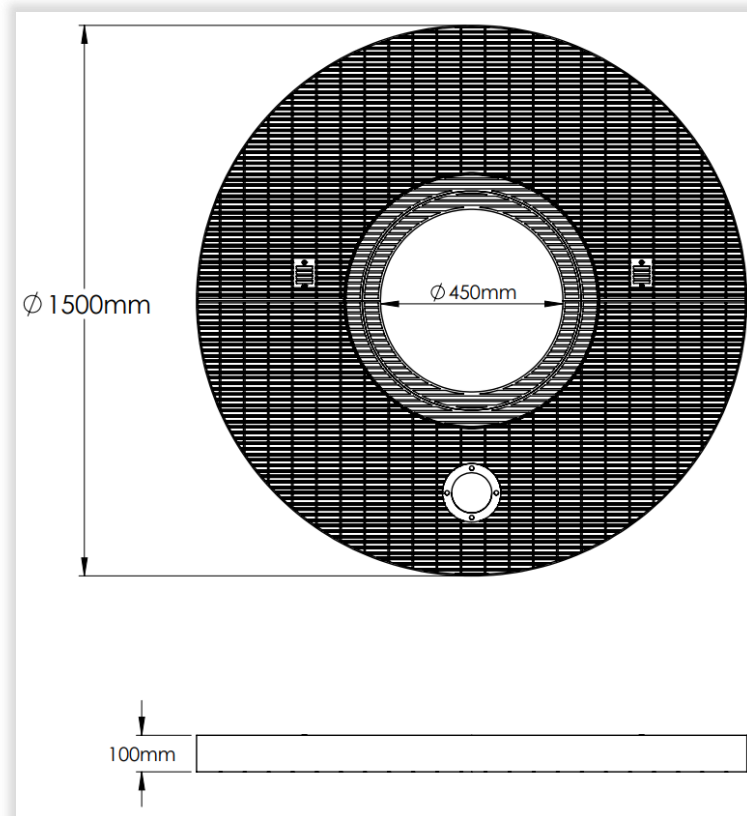
Drawings



Tree Pit with 1 or 2 removable inner circles

As tree grows the inner circles can be removed

Uplight Cutouts and IRR / AER points are optional extras



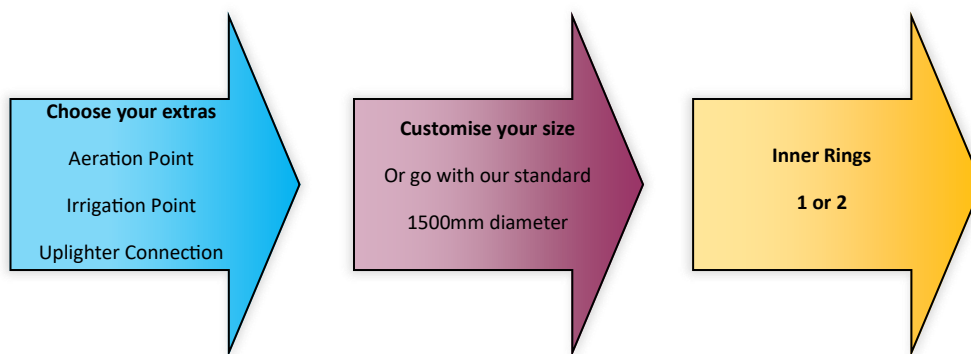
Uplight Cutouts and IRR / AER points are optional extras

CIRCULAR HELMESH TREE GRILLE KCDWHMTG/1500

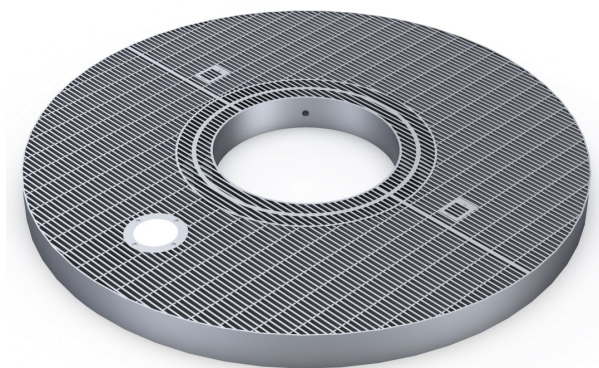
Specification

Specify:

Kent Circular Heelmesh TREE GRILLE KCDWHMTG/1500; Double Wedge Heelmesh Grating; Height 100mm ; Diameter 1500mm ; Grade 316L Stainless Steel; Shot Peened; Loading FACTA B; with 2 inner removable rings; with ...



Finishes



Shot Peened only



Shot Peened



Click on Finish image

Optional Extras



Irrigation Entry Point

A pipe below an entry point for connection to an irrigation system supplied by others



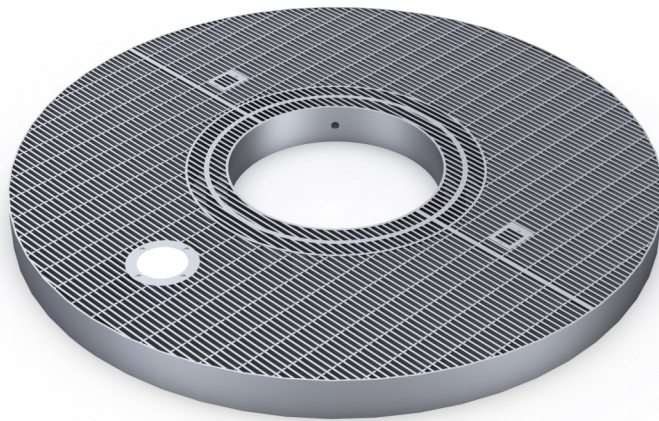
Uplighter Point

A circular cutout with a flange for connection to a light supplied by others

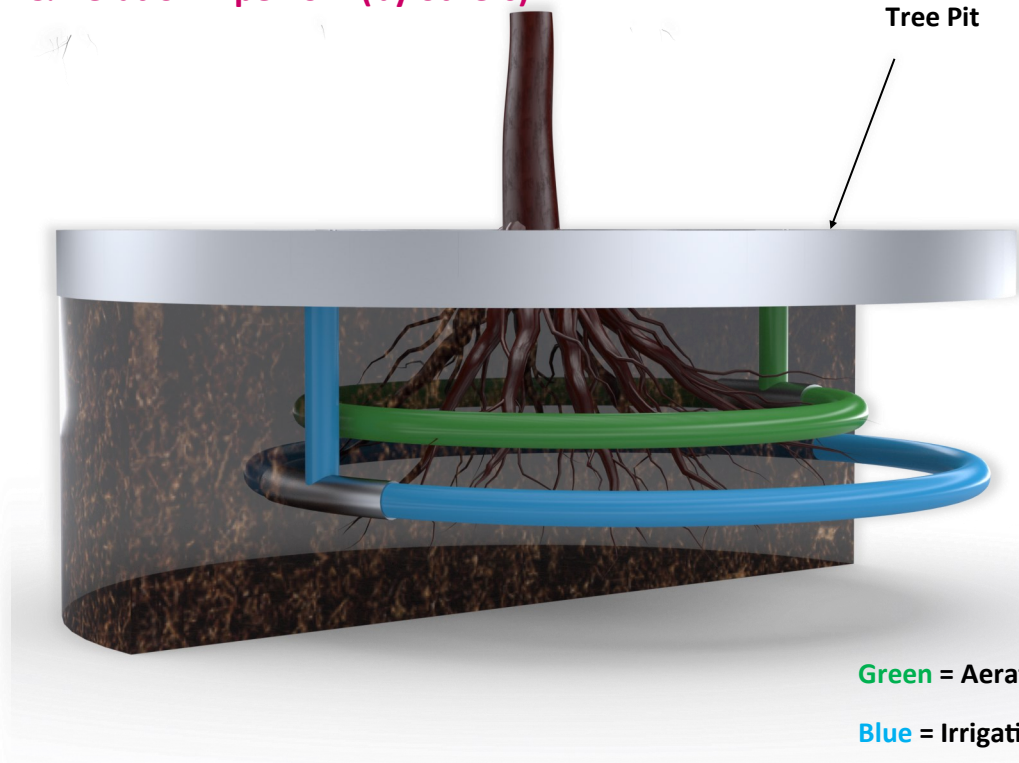


Aeration Entry Point

A pipe below an entry point for connection to an irrigation system supplied by others



Irrigation & Aeration Pipework (by others)



CIRCULAR HEELMESH TREE GRILLE KCDWHMTG/1500

Maintenance

Stainless Steel Maintenance

Clean the stainless steel components using warm water with a mild detergent with a non-abrasive cloth or sponge. Heavier stains may require the use of a nylon-scouring pad or a stainless steel cleaner.

To remove paint or graffiti use a cloth and Alkaline or solvent paint strippers according to type of paint. In the case of a bead blasted finish, where abrasive cleaning is required, always use a random circular rubbing action with a cloth.

In the case of brushed finishes the surface consists of uniform fine 'scratches' running in one direction so where abrasive cleaning is required always use a straight back and forward rubbing action in the direction of the grain using soap and warm water.

Rust spots or 'tea stains' can occur on the surface of the material, these are normally caused by contamination from ordinary mild steel, particularly in areas where construction work has been undertaken. Such stains can be removed using Rust Remover 410.

In cases where the surface is severely stained because of severe environmental conditions or scratched due to misuse, it may still be possible to restore the original finish using chemicals such as Oxalic Acid solution. There are many stainless steel polishes available to enhance the surface finish.

KENT STAINLESS

A partner you can rely on



International Quarter, London (IQL Stratford)

Contact us

Phone: +353 53 914 3216

UK Freephone: 0800 376 8377

USA: 718 374 7391

Email: info@kentstainless.com

Address: Ardcavan, Wexford, Ireland, Y35 CRW2

