



**Kent**  
STAINLESS

05/2024

# Kent Arc Bicycle Stand

**KACS / 850 / 1250**



# Kent Arc Bicycle Stand

Street Furniture



## Specify:

Kent Arc Cycle Stand (KACS1250); Grade 316 stainless steel; 4mm thick; Height: 850mm, Length: 1250mm, Diameter: 48mm. Satin finish 320 grit polish.

## Description:

The Kent Arc Cycle Stand is made from grade 316 stainless steel. The cycle stand measures 1250mm x 850mm high. It can be made to any specification needed. The Arc Cycle Stand is a design led alternative to more common stainless steel cycle stands. The robust design allows 2 bicycles to be locked in position per stand. Widely used in pedestrianised, commercial and parkland areas.

## Features:

- Grade 316 Stainless Steel
- Satin Finish 320 grit polish
- 48mm Diameter
- 150mm Diameter baseplate
- 4mm Thick steel



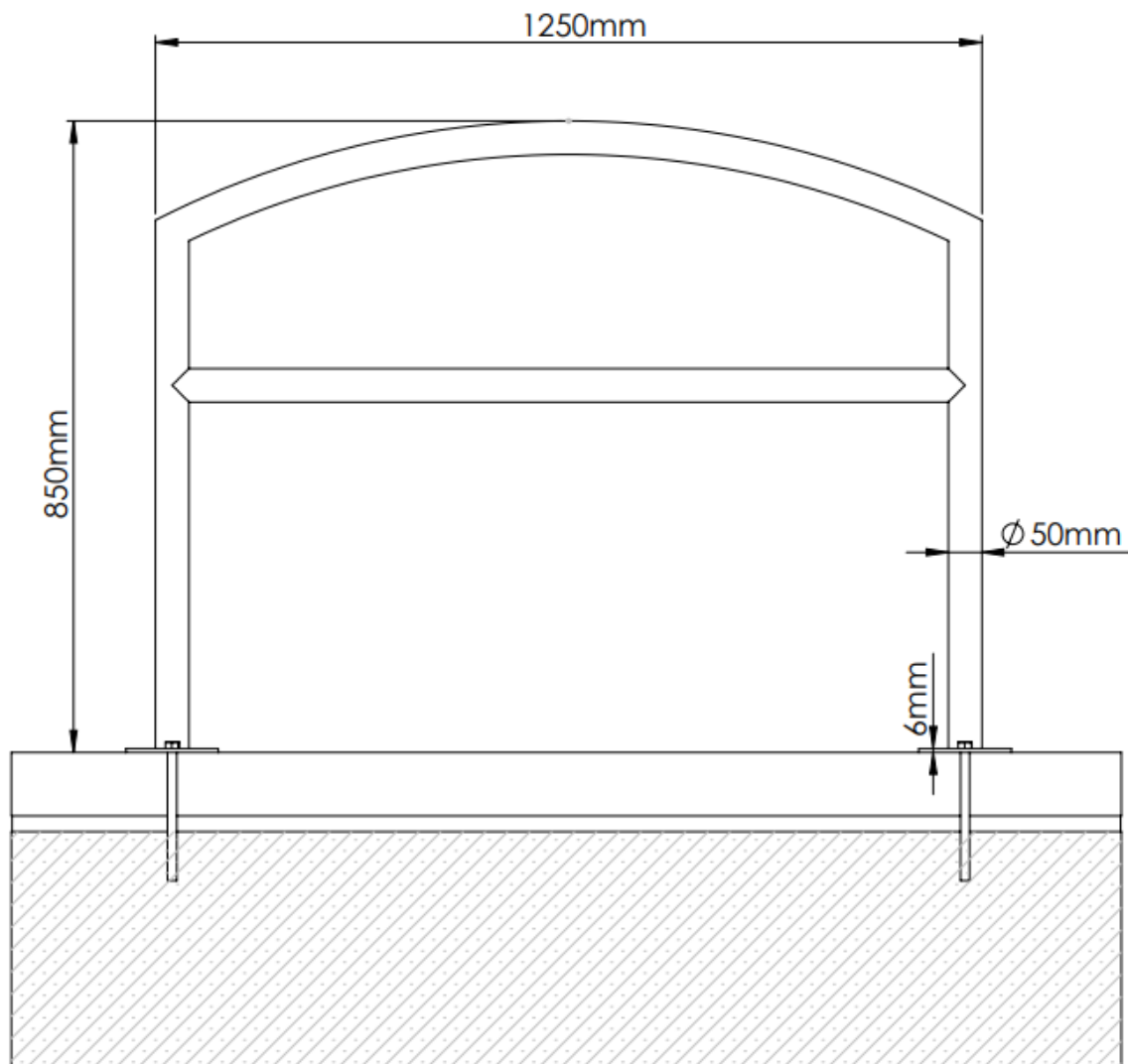
# Kent Arc Bicycle Stand

Street Furniture



**Kent**  
STAINLESS

## Arc Stand 850/1250: 'Surface Mounted Baseplate' Version



Reference	Height	Width	Thickness
Kent Arc Cycle Stand	850mm	1250mm	50mm
	33.47in	49.21in	1.97in

Instructions for fixation to surface:

When fixing your Cycle stand to the Pavement surface firstly a 200mm—150mm hole is drilled into the pavement blocks, Then you insert a chemical mortar and then use a 200mm M14 concrete fixation bolt to bolt the stand to the floor. Some times the process may vary depending on the type of stone being used and the hardness of the material.



# Kent Arc Bicycle Stand

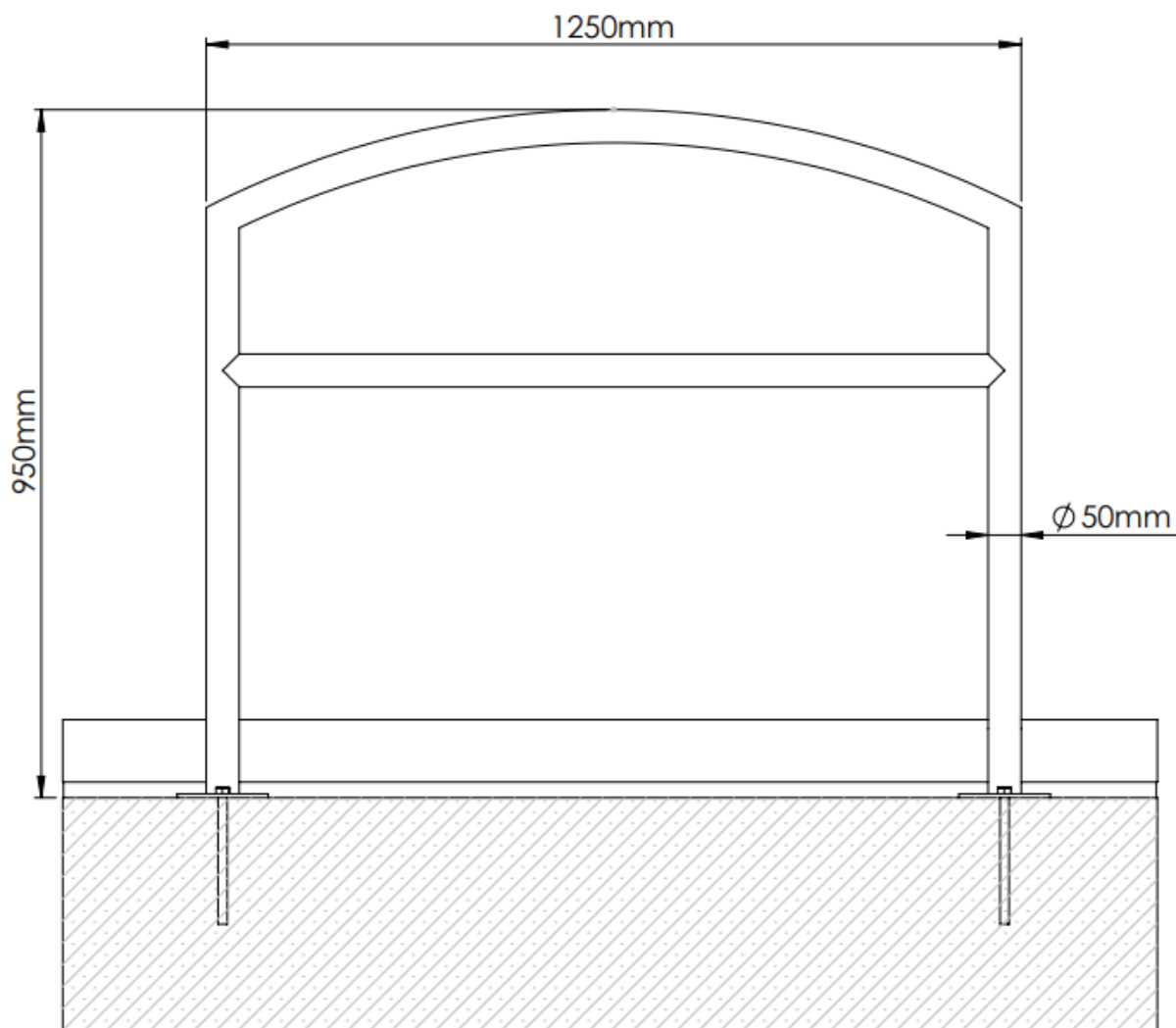
Street Furniture



**Kent**  
STAINLESS

**Arc Stand 950/1250:**

**'Surface Mounted Baseplate' Version**



Reference	Height	Width	Thickness
Kent Arc Cycle Stand	950mm	1250mm	50mm
	37.40	49.21in	1.97in

Instructions for fixation to surface:

When fixing your Cycle stand to the Foundation surface firstly a 150mm—100mm hole is drilled into the concrete, Then you insert a chemical mortar and then use a 150mm M14 concrete fixation bolt to bolt the stand to the floor. After this you need to lay screed to level the foundation surface and then lay your pavement over it. Cut the block to allow the stand to protrude from the pavement flush with the blocks.



# Kent Arc Bicycle Stand

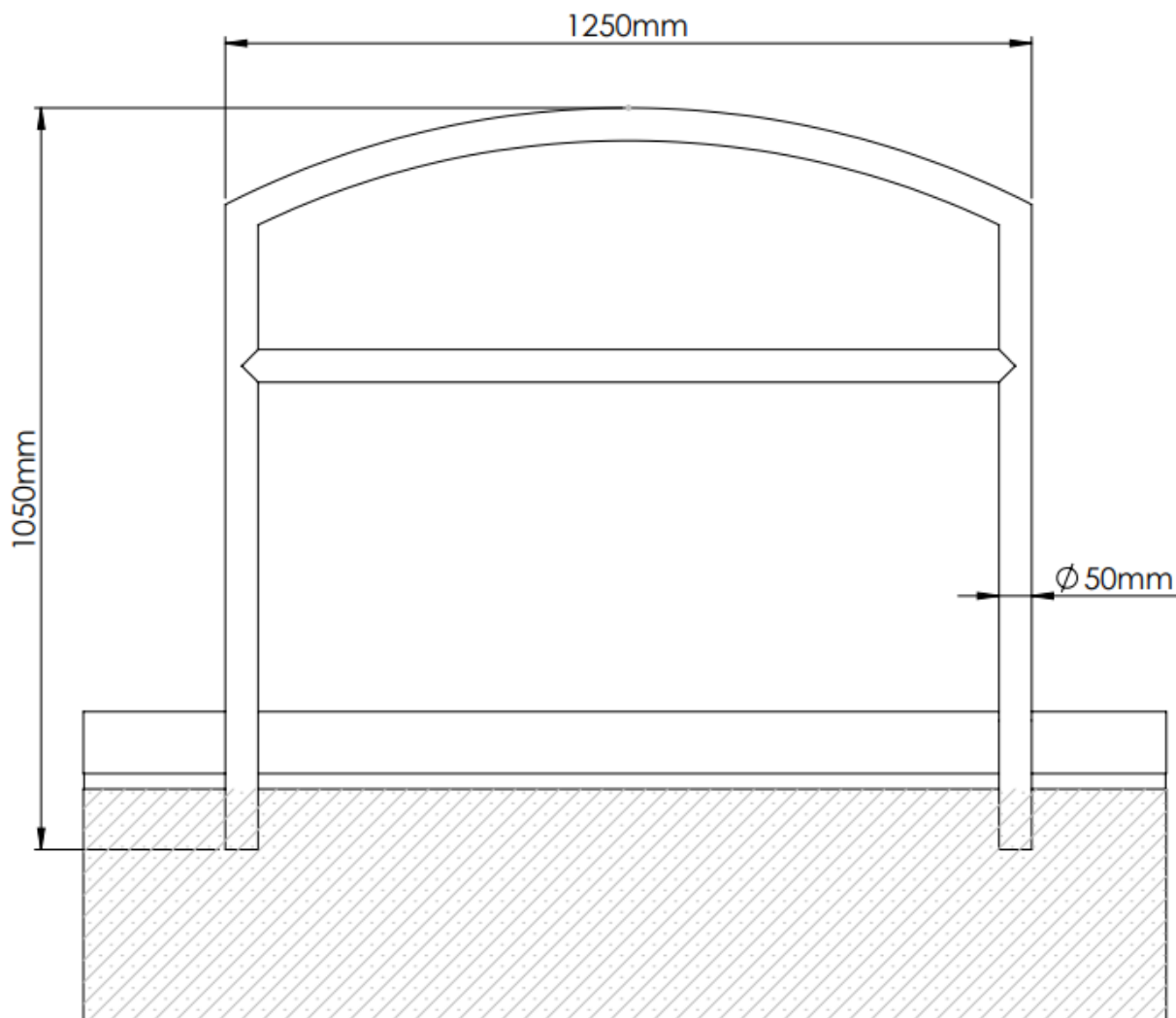
Street Furniture



**Kent**  
STAINLESS

**Arc Stand 1050/1250:**

**'Surface Mounted Baseplate' Version**



Reference	Height	Width	Thickness
Kent Arc Cycle Stand	1050mm	1250mm	50mm
	41.34in	49.21in	1.97in

Instructions for fixation to surface:

When fixing your Cycle stand to the Pavement surface firstly a 200mm—150mm hole is drilled into the pavement blocks, Then you insert a chemical mortar and then use a 200mm M14 concrete fixation bolt to bolt the stand to the floor. Some times the process may vary depending on the type of stone being used and the hardness of the material.



# Kent Arc Bicycle Stand

Street Furniture



## Specify:

To Specify our product in you project take the below specification clause and tailor it to suit your requirements.

### Or choose your grade:

304  
316

### Choose your Fixing:

Cast In  
Visible Baseplate  
Buried Baseplate

Kent Arc Cycle Stand (KACS1250); Grade 316 stainless steel; 4mm thick; Height: 850mm, Length: 1250mm, Diameter:48mm. Satin finish 320 grit polish.

### Choose your size:

1050—cast in below ground  
850—Visible Baseplate  
950—Buried Baseplate

### Or choose your Finish:

Bright Satin  
Satin 320 Grit Polish  
Shot Peened  
Bright Peened



## Cleaning and Maintenance

Stainless steel may be a low maintenance material, however it is not maintenance free. Long life aesthetic appearance can be achieved for external stainless steel products providing the appropriate grade of stainless is chosen and regular cleaning is undertaken.

### How often?

For an area that receives regular rainfall that washes away the build-up of salt deposits, cleaning should be done once a year. If rainfall cannot get to certain areas, but still salt and pollution deposits can blow onto it.

Judge your cleaning regime by the nearby glass panels or window cleaning and clean the stainless as often as the glass nearby.

### How do I do it?

For regular cleaning, and for a preventative regime, a simple wipe down by soft cloth or sponge with a mild detergent is enough (e.g. 5% diluted washing up liquid). Rinse off with deionised water. Rub dry with a clean dry cloth rather than letting the product drip dry.

If staining does not disappear, switch the soft cloth to a pad of Scotchbrite™ from 3M™. Use the soapy water with Scotchbrite™ vigorously on areas that are unpolished or not architecturally important. For polished areas of products with a grain (e.g. Satin finish 320 grit polish), rub gently forwards and backwards only in the direction of the grain direction so proceed with caution if this is an architecturally important feature. Again – rinse with de-ionised water and dry with a soft cloth. For heavier staining or contamination by iron products Kent recommend Avesta cleaning chemicals. Cleaner Avesta 401™ can be used instead of the mild detergent as above. Avesta 420™ Fingerprint remover is a good cleaner to for areas prone to public fingerprints – it must be sprayed on and rubbed in while wet.

Pickling Gel Avesta 130™ (hazardous) and Passivator Avesta 630™ can be used for large, important features, but these should be discussed, and a method statement is available from Kent Stainless for their use. This work can be subcontracted to Mister Stainless™ in Ireland and Edimex™ in Dubai.



## A partner you can rely on



### Contact us:



Phone:	+353 53 914 3216	Email:	info@kentstainless.com
UK Freephone:	0800 376 8377	Address:	Ardcavan, Wexford
USA:	718 374 7391		Ireland, Y35 CRW2

